

Handbook
Manual de instrucciones
Manuel d'instructions

Bull Barrel Rifle - Recon
Carabina. Cañón abatible
Carabine. Canon pliant



Read this manual and the warnings and safety procedures pamphlet prior to handling this product.

Lea atentamente este manual y todas las instrucciones de seguridad antes de manipular esta carabina.

Lisez attentivement ce manuel et toutes les instructions de sécurité avant de manipuler cette carabine.



W A R N I N G :

NOT A TOY. AGES 16 AND UP WITH ADULT SUPERVISION REQUIRE. MISUSE OR CARELESS USE MAY RESULT IN SERIOUS INJURY OR DEATH. DANGEROUS WITHIN 100 YARDS (90 METERS).



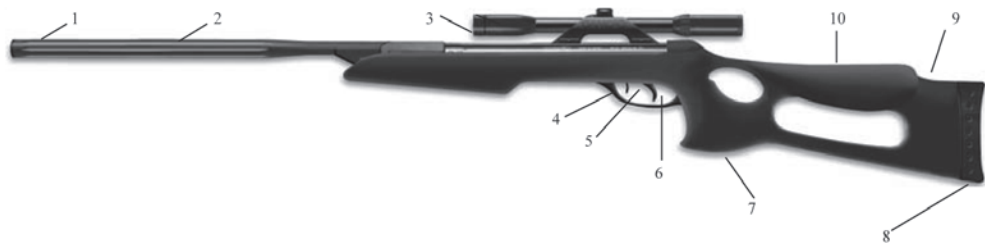
ADVERTENCIA:

NO ES UN JUGUETE. UTILIZAR A PARTIR DE 16 AÑOS BAJO LA SUPERVISIÓN DE UN ADULTO. EL MAL USO O SU USO NEGLIGENTE PUEDE CAUSAR HERIDAS GRAVES O LA MUERTE. PELIGROSA A UN ALCANCE DE 90 METROS.



ADVERTISSEMENT :

CECI N'EST PAS UN JOUET. À UTILISER A PARTIR DE 16 ANS SOUS LA SUPERVISION D'UN ADULTE. UNE MAUVAISE UTILISATION OU UNE UTILISATION NÉGLIGENTE PEUT PROVOQUER DES BLESSURES GRAVES OU LA MORT. DANGEREUSE À UNE PORTÉE DE 90 MÈTRES.

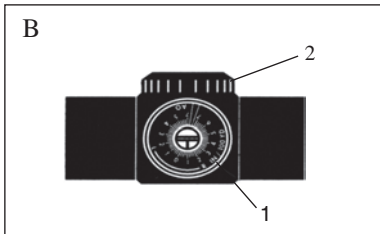
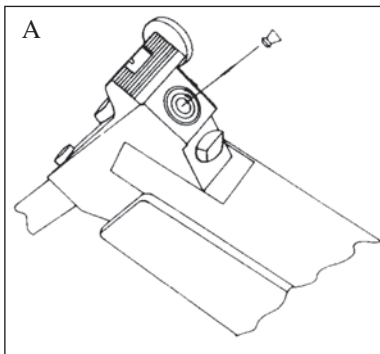


1. Muzzle / Boca de cañón / Bouche du canon
2. Barrel / Cañón / Canon
3. Scope / Visor / Viseur
4. Manual safety / Seguro manual / Sûreté manuelle
5. Two-stage trigger / Gatillo regulable / Détente réglable
6. Trigger adjustment screw (*) / Tornillo de regulación (*) / Vis de réglage (*)
7. Grip / Empuñadura / Poignée
8. Buttplate / Cantonera / Plaque de couche
9. Stock / Culata / Crosse
10. Cheekpiece / Carrillera / Mentonnet

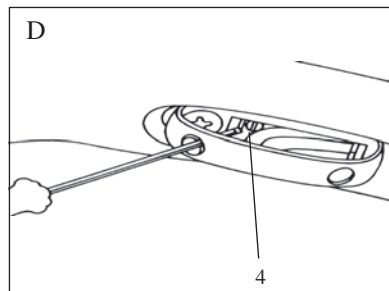
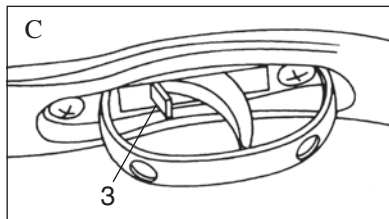
Your new air rifle is covered by a one year parts and service warranty against manufacturing defects. / Su nueva carabina de aire comprimido está cubierta por una garantía de un año en piezas y asistencia técnica contra defectos de fabricación. / Votre nouvelle carabine à air comprimé est couverte par une garantie d'un an pour les pièces et par une assistance technique contre les défauts de fabrication.

(*) According to model / Según modelo / Selon le modèle.

Industrias El Gamo, S.A. reserves the right to modify specifications without prior notice. / Industrias El Gamo, S.A. se reserva el derecho de modificar las especificaciones sin previo aviso. / Industrias El Gamo, S.A. se réserve le droit de modifier les spécifications sans préavis.

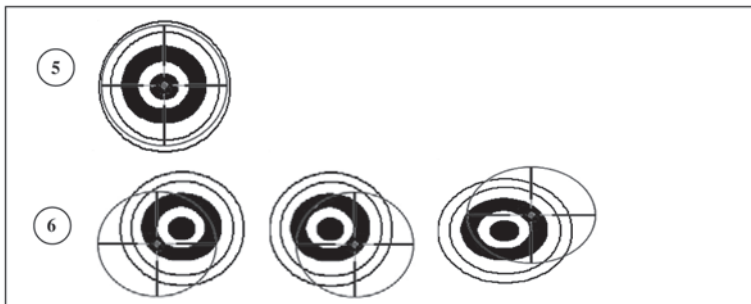


Instructions for A are located on page 9
Instructions for B are located on page 9
Instructions for C are located on page 8
Instructions for D are located on page 8



⑤ Correct shot
Disparo correcto
Tir correct

⑥ Incorrect shot
Disparo incorrecto
Tir incorrect



INTRODUCTION

Before you use your new GAMO AIR RIFLE you must read and understand the following safety rules:

**WARNING:**

This is not a toy. Failure to follow the safety rules outlined below can result in serious bodily injury or death.

These guns are recommended for adult use only. This product is not recommended for unsupervised use by those under 16 years of age. This product is designed to handle and function like a rifle. Do not carry or use this product in any situation where it might be mistaken for a firearm.

Depending on the model you have purchased your GAMO AIR RIFLE may shoot up to 525 fps.


SAFETY RULES


Always read and follow these rules each time you handle your GAMO AIR RIFLE.

1. Always point the gun in a safe direction. NEVER POINT YOUR AIR GUN AT PEOPLE OR ANIMALS EVEN IF IT IS NOT LOADED.
2. Air guns are not toys. They should only be used under adult supervision. Safety is a straightforward but continuous process. THE UNSUPERVISED USE OF AIR GUNS IS NOT RECOMMENDED FOR PERSONS UNDER 16 YEARS OF AGE.
3. Think first, fire second.
4. Always use eye protection.
5. Always use hearing protection.
6. Always keep your fingers away from the trigger during cocking and handling. Keep your finger away from the trigger until you are ready to fire.
7. Always be certain of what is behind your target.
8. Do not fire at a target which allows ricochets or deflections. Do not fire into or at water.
9. Never use drugs or alcohol while handling this product.
10. The air gun and pellets should be kept in separate and secured places. Always keep the air rifle out of reach of children.

11. After use and before putting the air gun away, always make absolutely sure that there are no pellets in the chamber.
12. Do not load the air gun until you are ready to fire. Do not walk, run, jump or climb when carrying a loaded air gun. A loaded air gun should never be carried inside a vehicle. Always keep the safety “ON”, even when the air gun is unloaded.

 **WARNING:** Never modify or alter your GAMO AIR RIFLE. Modification of the gun may cause it to malfunction and tampering with the gun may make it unsafe.

 **WARNING:** Any change in performance, such as lowered trigger force and shortened trigger travel, indicates possible wear, and such guns should be inspected, replaced, or properly repaired. Repairs should only be performed by qualified personnel.

 **WARNING:** Check any gun that has been dropped to ensure its function has not been altered.

OPERATION OF THE SAFETY

There is no substitute for muzzle control. Never rely on any mechanical safety. Always point the gun in a safe direction.

The safety is located in front of the trigger (see fig. C-3 pg 3). The safety is “ON” when the lever is in the rear position (near the trigger). To release the trigger, move the lever to the forward position (away from the trigger).

Always put the safety “ON” when handling, carrying, loading or unloading the air gun.

Do not press the trigger while putting the safety “ON”.

TRIGGER ADJUSTMENT


Be sure the air gun is not loaded before adjusting trigger.

This gun is supplied with a second stage adjustable trigger (see fig. D-4 pg 3). To adjust the second stage, rotate the adjustment screw clockwise to decrease the length and rotate the adjustment screw counter-clockwise to increase the length.

LOADING

 **WARNING:** The use of incorrect projectiles may not be safe. Do not reuse ammunition for any reason.

Your GAMO AIR RIFLE shoots .177 caliber lead or alloy pellets only. It is recommended to use only GAMO AIR RIFLE ammunition in your GAMO AIR RIFLE. Your GAMO AIR RIFLE is not intended to shoot steel BB's.

 **WARNING:** Lead airgun ammunition contains a chemical known to the State of California to cause cancer and birth defects (or other reproductive harm). Do not inhale dust or put pellets in mouth. Wash hands after handling.

OPEN THE BARREL BY PLACING THE STOCK OF THE GUN ON YOUR HIP AND GRASPING THE END OF THE BARREL FIRMLY AND PULLING IT DOWN AND TOWARD YOU UNTIL IT CATCHES. KEEP YOUR FINGER OFF THE TRIGGER AT ALL TIMES. WITH THE GUN IN THIS POSITION, LOAD THE GUN BY PLACING A PELLET (ALWAYS WITH THE SKIRT END TOWARD YOU) IN THE OPENING OF THE BARREL (SEE FIG A PG 3), THEN PULL THE BARREL BACK TO ITS ORIGINAL POSITION UNTIL IT LOCKS INTO PLACE. THE GUN IS NOW LOADED AND THE PELLET IS IN POSITION TO FIRE.

FIRING

Always use commercial safety glasses, including wearing them over your prescription glasses when handling or shooting your GAMO AIR RIFLE.

CAUTION: Your backstop should be inspected for wear before and after each use. Discontinue use if your backstop surface shows signs of failure. Since backstop surfaces eventually fail, always place the backstop in a location that will be safe should the backstop fail. Discontinue the use of a backstop if the projectile rebounds or ricochets.



WARNING: If a pellet becomes lodged inside the barrel, refer to the “PROCEDURE FOR CLEARING STUCK AMMUNITION” section.

Each time the air gun is to be put away after use, please ensure that the last round has been fired, that your GAMO AIR RIFLE is completely empty, and that it is no longer cocked.

PROCEDURE FOR CLEARING STUCK AMMUNITION

NEVER attempt to clear stuck ammunition by firing an additional pellet through the gun as it may damage the gun. Always be sure that the safety is “ON” prior to clearing an obstruction.

Break the barrel down the same as in loading, and insert a cleaning rod of the appropriate caliber for your rifle (.177 or .22) into the opening of the barrel. Push the rod through the barrel until the pellet is free. When you are finished, clean the barrel with the brush attachment of the cleaning rod to remove any lead particles that may be adhered to the rifling.

SIGHT PICTURE AND ADJUSTMENT

Your GAMO AIR RIFLE comes with the scope mounted and bore sighted. The sight picture should look like the examples (Pg 4). To sight in your rifle, remove the caps covering the windage and elevation adjustment knobs (fig. B, Pg 3). Please check to make sure the mounting screws are tight as they may have come loose during shipment.

Windage adjustment

Turn the windage adjustment screw 1 (fig. B) clockwise to move the point of impact right and counter-clockwise to move the point of impact to the left.

Elevation adjustment

Turn the elevation screw 2 (fig. B) clockwise to lower the point of impact and counterclockwise to raise the point of impact.

Follow these instructions if your GAMO Rifle came with an Illuminated Reticle Scope

You must remove the protective battery cover before use. Pull the plastic tab to expose battery to contact. The battery switch is located on left side of the scope saddle. The illuminated feature is activated by turning the rheostat switch. Each click will increase the intensity. To turn off the illuminated reticle, turn the knob to the zero position. To install the battery remove the cap of the rheostat.

Place the battery in the rheostat face down and replace the rheostat cap.

STORAGE

Airguns should be carefully stored to prevent access by children and unauthorized users.

These products are designed to look, handle and function like rifles. These products should be stored in such a manner to protect against theft and subsequent misuse.

Always store your GAMO AIR RIFLE after it has been cleaned and given a light coat of oil.

Always store your GAMO AIR RIFLE in a clean dry place. It is recommended that you store this product in a GAMO case with appropriate anti-corrosion materials.

Always check to see if the GAMO AIR RIFLE is unloaded when removed from storage or received from another person.

WHEN STORING YOUR RIFLE, ALWAYS MAKE SURE IT IS NOT COCKED, IT IS UNLOADED AND THE SAFETY IS “ON”.

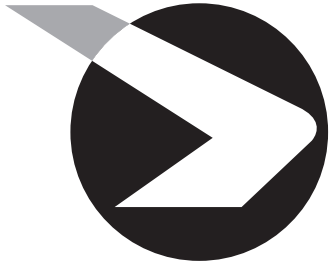
CLEANING

MAKE CERTAIN THE RIFLE IS UNLOADED AND THE SAFETY IS “ON” BEFORE CLEANING.

To clean the rifle barrel, always open the barrel in the same way as when loading it. Use the appropriate caliber cleaning rod, rod tip, patches, and bore brush with gun solvent and oil to clean your rifle. Insert the cleaning rod with cleaning attachments from the muzzle.

You should never use lubricating oil in the barrel. It is helpful if you occasionally apply a small amount of special GAMO oil to the barrel pivot, the two cocking-lever pivots, and the trigger pivot. NEVER apply oil to the breech or into the cylinder. You should also clean the outside metal parts with oil to prevent them from rusting.

NEVER PUT ANY OIL INSIDE THE BARREL OR THE CHAMBER. THE RESULTING COMBUSTION COULD CAUSE IRREPARABLE DAMAGE TO YOUR RIFLE AND SERIOUSLY HARM YOURSELF AND OTHER PEOPLE.



GAMO[®]
Precision Airguns