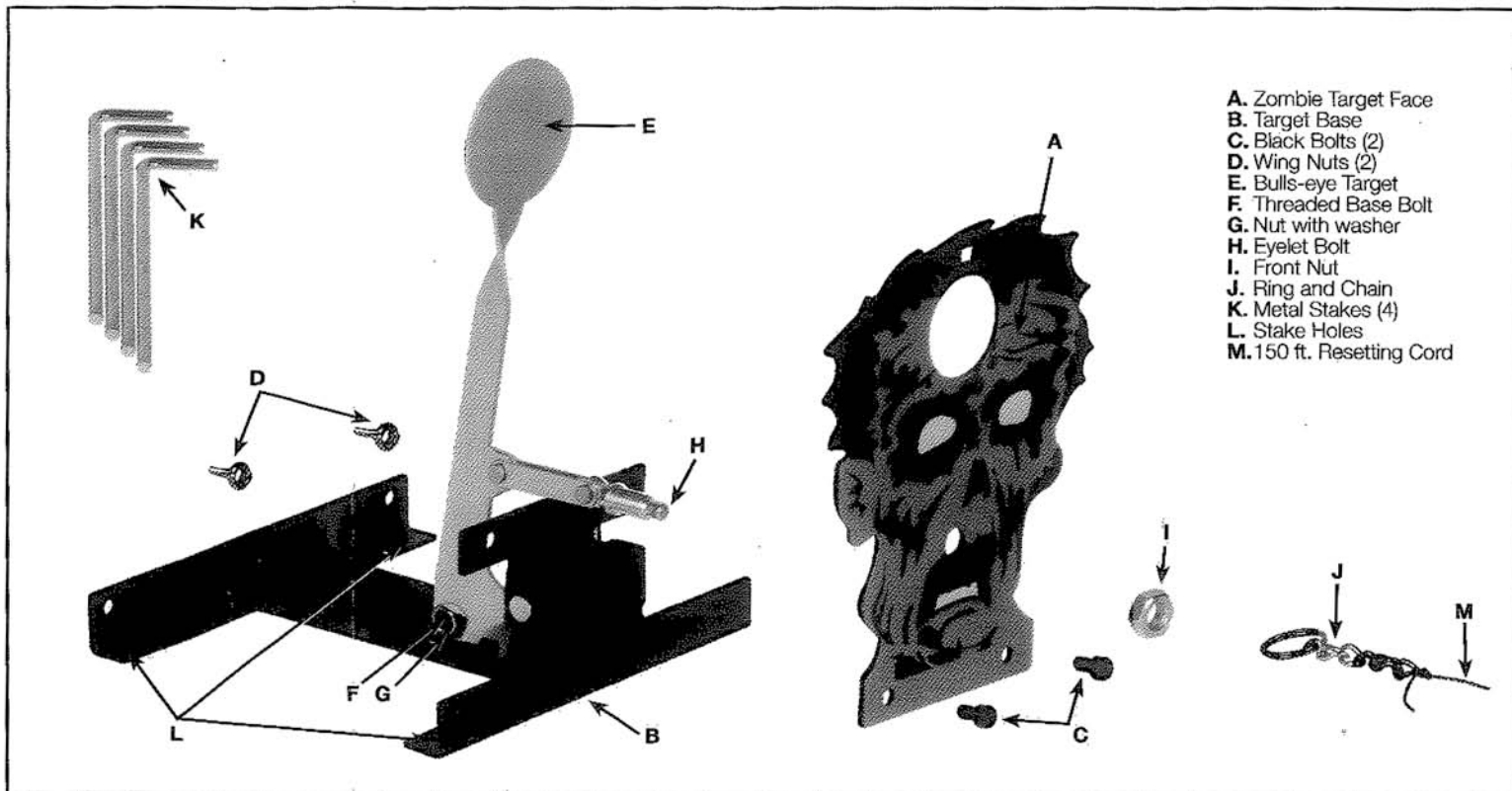




Zombie Field Target System with Interchangeable Target Sizes Resetting Airgun Target—for Pellets Only.

WARNING: THIS TARGET IS DESIGNED FOR USE WITH LEAD AIRGUN PELLETS ONLY. DO NOT USE BBs. BBs WILL REBOUND AND RICOCHET AND MAY CAUSE SERIOUS INJURY, ESPECIALLY TO THE EYE. EYE PROTECTION MUST BE WORN BY ANY PERSON WITHIN RANGE. MAKE SURE THE AREA AROUND YOUR TARGET IS CLEAR AND SAFE. MAKE SURE TARGET IS SECURED BEFORE SHOOTING. NEVER PLACE THE TARGET LESS THAN 25 YARDS FROM FIRING LOCATION.
THIS PRODUCT CONTAINS ONE OR MORE CHEMICALS KNOWN TO THE STATE OF CALIFORNIA TO CAUSE CANCER AND BIRTH DEFECTS (OR OTHER REPRODUCTIVE HARM).



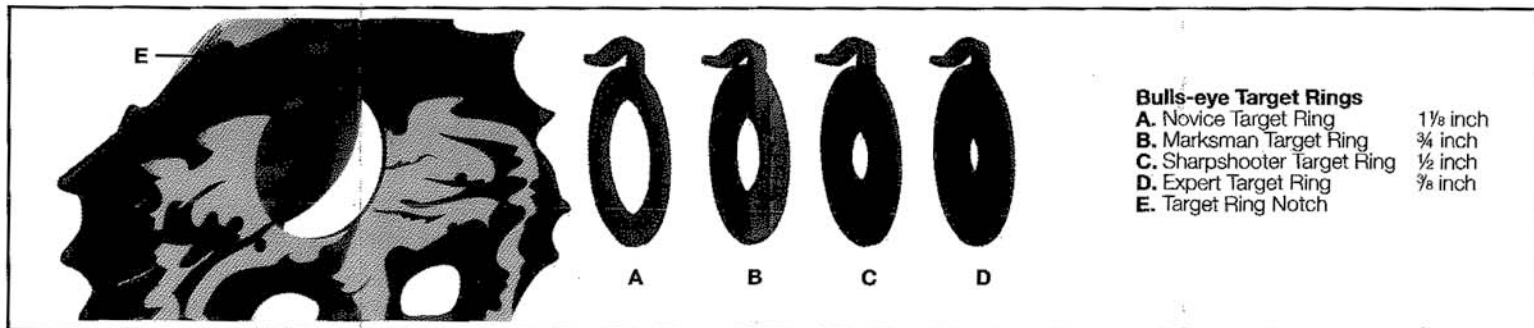
- A. Zombie Target Face
- B. Target Base
- C. Black Bolts (2)
- D. Wing Nuts (2)
- E. Bulls-eye Target
- F. Threaded Base Bolt
- G. Nut with washer
- H. Eyelet Bolt
- I. Front Nut
- J. Ring and Chain
- K. Metal Stakes (4)
- L. Stake Holes
- M. 150 ft. Resetting Cord

Target Assembly

1. Attach the Zombie Target Face (A) to the Target Base (B) by inserting a black bolt (C) into each of the holes in the bottom of the Zombie Target face (A).
2. Attach and tighten the Wing Nuts (D) to the bolts on the back of the Zombie Target face (A).
3. Attach the Bulls-eye Target (E) to the Target Base (B) by placing it on the Threaded Base Bolt (F) and attach the Nut with washer (G). The washer end of the nut should face away from the Bulls-eye Target (E).
4. Feed the Eyelet Bolt (H) through the front of the Zombie Target Face (A).
5. Attach and tighten the Front Nut (I) to the Eyelet Bolt (H).
6. Thread the Ring (J) attached to the chain through the hole on the Eyelet Bolt (H).
7. Place the Zombie Field Target System at a safe location, NO LESS THAN 25 YARDS from the firing line. (Note that the Bulls-eye Target (E) is designed to lean forward (toward the shooter) so that pellets are deflected downward.)
8. Insert the Metal Stakes (K) through the Stake Holes (L) in the Target Base (B) to anchor the target on the ground.
9. Unravel the 150 ft. Resetting Cord (M) and take to firing line.

Firing/Resetting

1. When the Bulls-eye Target is hit, the target falls down.
2. Reset the target by pulling the cord.



Bulls-eye Target Rings

- A. Novice Target Ring 1 1/8 inch
- B. Marksman Target Ring 3/4 inch
- C. Sharpshooter Target Ring 1/2 inch
- D. Expert Target Ring 3/8 inch
- E. Target Ring Notch

Increasing the Level of Difficulty (Developing Shooting Skills)

To assist in the development of shooting skills, the Zombie Field Target System includes 4 Bulls-eye Target Rings (A,B,C,and D). The smaller the bulls-eye on the target ring, the more difficult the Zombie Field Target System is to knock down.

To install a target ring, place the hook of the target ring into the Target Notch Ring (E) above the bulls-eye on the Zombie Target Face (A). To increase shooting difficulty, use a target ring with a smaller bulls-eye.