

OWNER'S MANUAL

READ ALL INSTRUCTIONS AND WARNINGS IN THIS MANUAL BEFORE USING THIS AIR PISTOL.

UMAREX
www.umarex.com



 **BERETTA**

MODELS Beretta XX-TREME .177 Caliber
(4.5 mm) Pellet CO2 Air Pistol

Patent Pending

⚠ WARNING: Not a toy. Adult supervision required. Misuse or careless use may cause serious injury or death. Model BERETTA XX-TREME may be dangerous up to 400 yards (366 meters). Model XX-TREME may be dangerous up to 400 yards (366 meters).

YOU AND OTHERS WITH YOU SHOULD ALWAYS WEAR SHOOTING GLASSES TO PROTECT YOUR EYES. READ ALL INSTRUCTIONS BEFORE USING.
BUYER AND USER HAVE THE DUTY TO OBEY ALL LAWS ABOUT THE USE AND OWNERSHIP OF THIS AIRGUN.

THIS AIRGUN IS INTENDED FOR USE BY THOSE 16 YEARS OF AGE OR OLDER.

8.419.90.07.U.03-06.0,35.43

⚠ WARNING: Lead pellets. Do not inhale dust or put pellets in mouth. Wash hands after handling. This product contains lead, a chemical known to the State of California to cause cancer and birth defects (or other reproductive harm.)

Congratulations and thank you for purchasing the Air Venturi Model BERETTA XX-TREME .177 caliber (4.5mm) pellet CO2 air pistol. Please read this owner's manual completely. Remember, this air pistol is not a toy. Treat it with the same respect you would a firearm. Always carefully follow the safety instructions found in this owner's manual and keep this manual in a safe place for future use.

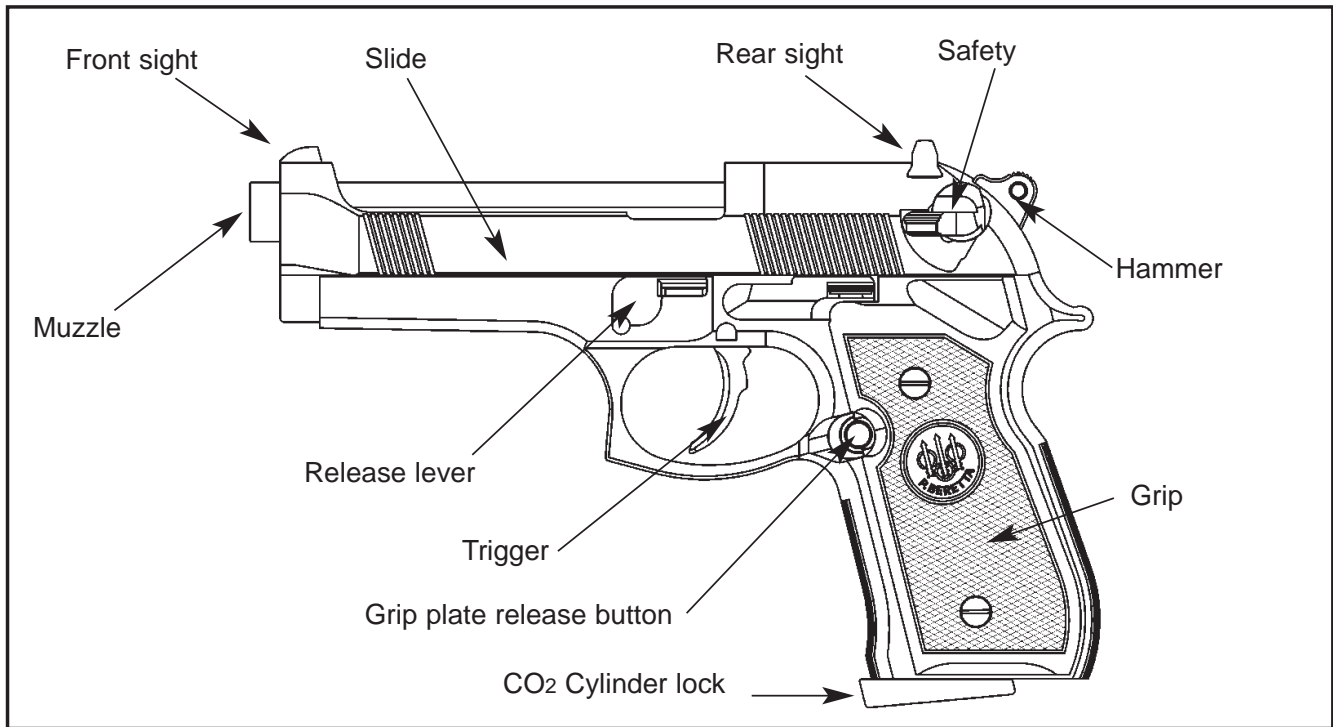
If you have any questions regarding your new air pistol, please contact Air Venturi at phone (888) 262-4867 fax (216) 896-0896 or www.airventuri.com

STEPS FOR SAFE SHOOTING

- Step 1. Learning the Parts of Your New Air Pistol
- Step 2. Operating the Safety
- Step 3. Installing and removing the CO2 Cartridge
- Step 4. Loading and Unloading Pellets
- Step 5. Aiming and Firing Safely
- Step 6. Removing a Jammed Pellet
- Step 7. Maintaining Your Air Pistol
- Step 8. Reviewing Safety

Step 1. Learning the Parts of Your New Air Pistol

Learning the names of the parts of your new air pistol will help you to understand your owner's manual. Use this manual to increase your enjoyment of this air pistol.



Step 2. Operating the Safety

⚠ WARNING: Keep the air pistol in the "ON SAFE" position until you are actually ready to shoot. Then push the safety to the "OFF SAFE" position.

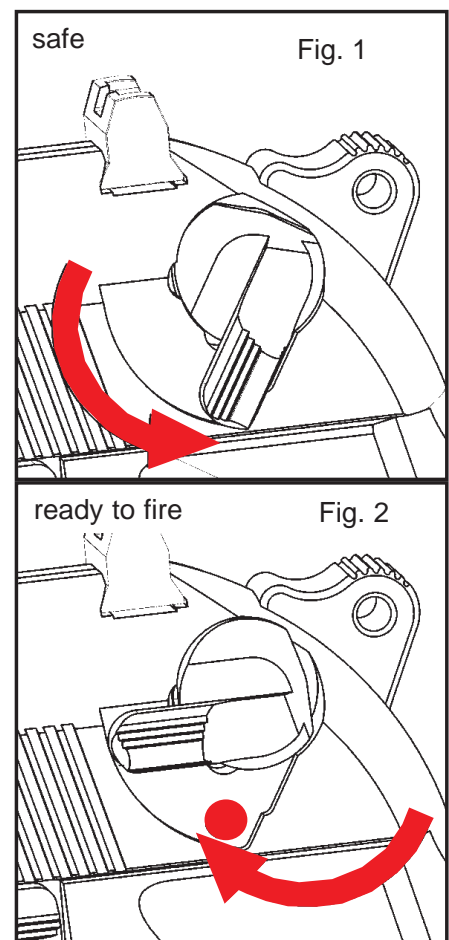
A. To Put the Air pistol "ON SAFE:"

- Locate the safety directly under the rear sight (Fig. 1).
- Move the safety lever to the lower position to cover the RED indicator as shown. **The safety is not "On Safe" unless the RED indicator near the safety is not showing.**

Even when the safety is "On Safe", you should continue to handle the air pistol safely. Do not ever point the air pistol at any person. Do not ever point the air pistol at anything you do not intend to shoot.

B. To Take the Air Pistol "OFF SAFE":

- Push the safety up exposing the RED indicator as shown in Figure 2.
- The air pistol is ready to fire when "Off Safe". **When you can see the RED indicator near the safety, the air pistol is "Off Safe" and can be fired.**



Step 3. Installing and Removing the CO2 Cartridge

⚠ WARNING: CO2 cartridges may explode at temperatures above 120°F (48.9°C). Do not mutilate or incinerate them. Do not expose them to heat or store CO2 cartridges at temperatures above 120°F (48.9°C).

⚠ WARNING: Keep hands and face away from escaping CO2 gas. It can cause frostbite if allowed to come in contact with skin.

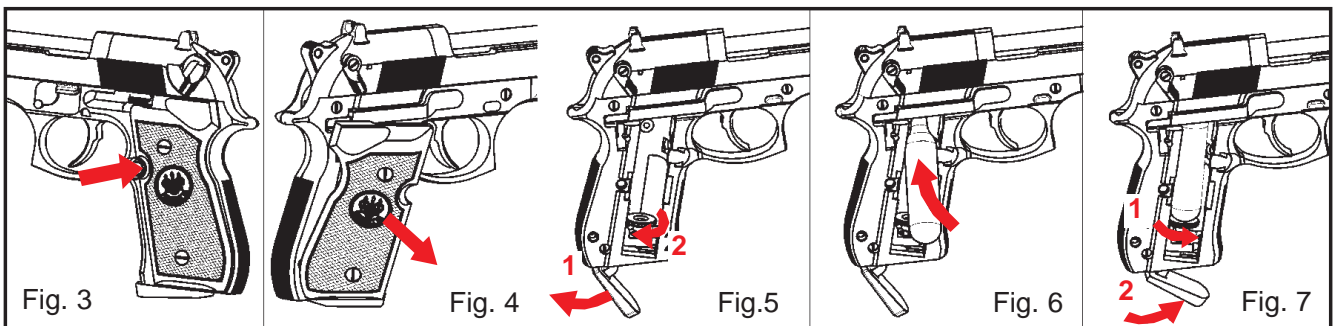
A. Installing the CO2 Cartridge

- Make sure the air pistol is "On Safe" (See **Step 2A**).
- Push the grip plate release button on the left side to remove the grip. (see Fig.3) Swing the CO2 cylinder lock downward and loosen the cylinder screw by turning it clockwise. (Fig.4)
- Insert a new CO2 cartridge into the air pistol with the small neck of the cartridge pointing up toward the piercing assembly.
- Tighten the cylinder screw by turning it counterclockwise until it gently moves the CO2 cartridge up into position. Do not over tighten it as this could damage the cartridge seal.
- Close the cylinder lock by swinging it upward. This will pierce the CO2 cartridge.(Fig 7)
- Carefully press the grip back into place.

- Point the air pistol in a SAFE DIRECTION, take "Off Safe" (See **Step 2B**) and pull the trigger. **If the air pistol does not make a popping noise after pulling the trigger, the CO2 is not being discharged.** In that event, you will have to remove the grip, swing the cylinder lock downward and tighten the cylinder screw a little more by turning it counterclockwise. Then close the cylinder lock, replace the grip and test it again, while pointing in a safe direction. Return the safety to the "On Safe" position (See **Step 2A**).

B. Removing the CO2 Cartridge

- Put the air pistol "On Safe" (See **Step 2A**).
- Make sure the air pistol is unloaded (See **Step 4B**).
- Point the air pistol in a SAFE DIRECTION.
- Swing the CO2 cylinder lock downward carefully to allow any remaining CO2 gas to escape. (See Fig. 5)
Important: Be sure to keep your hands and face away from escaping CO2.
- Push the grip release button on the left side to remove the right grip. (see Fig.3)
- Loosen the cylinder screw by turning it clockwise until it stops.
- Remove the empty CO2 cartridge by turning the air pistol over and shaking it to let the CO2 cartridge fall out. The CO2 cartridge may be cold. Avoid prolonged contact with the CO2 cartridge if it is very cold.
- Close the cylinder lock by swinging it upward (Fig. 7). Carefully press the right grip cover back into place.



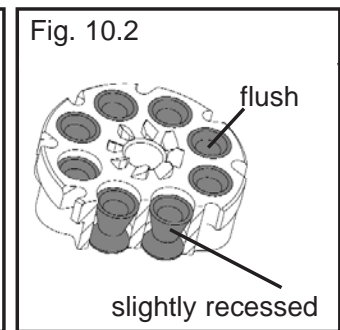
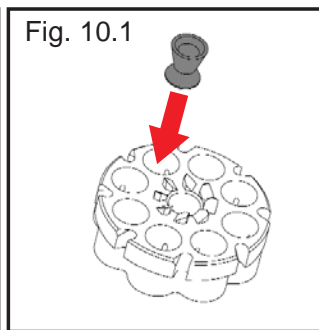
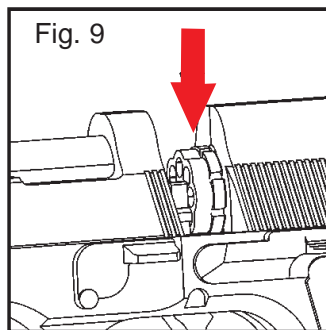
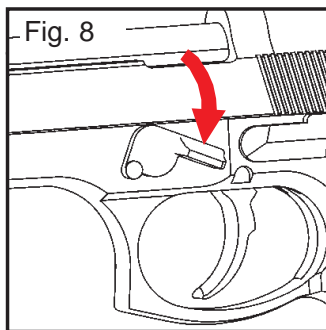
Step 4. Loading and Unloading Pellets

⚠ WARNING: Use only .177 (4.5mm) caliber [diabolo] pellets in your Model BERETTA XX-TREME. Use of any other ammunition can cause injury to you or damage to the air pistol. Never reuse pellets.

⚠ WARNING: Do not place your hand or fingers over the muzzle. When opening or closing the slide make sure your air pistol is pointing in a SAFE DIRECTION, and keep your finger off the trigger. Failure to follow these warnings may cause serious injury.

A. Loading Pellets

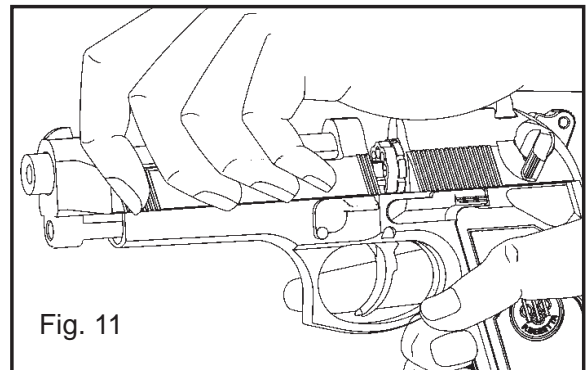
- Make sure the air pistol is "On Safe." (See **Step 2A**)
- Point the air pistol in a SAFE DIRECTION. Hold the pistol as shown in Figure 8 to keep the pellet clip in place and prevent it from falling out of the pistol.
- Open the slide by pushing the release lever downward to the position shown in Figure 8.



- Remove the pellet clip and load the pellets head first (see Fig. 10) into the clip insuring that each pellet is completely inserted.

IMPORTANT: To avoid jams or deforming the pellets, make sure the pellet skirt is level or slightly below the rim of the pellet chamber.

- Place the pellet clip back in the pistol with the ratchet teeth facing rearward. (see Fig. 9)
- Grip the slide from the top (see Fig. 11) and move it rearward to the closed position.
- **IMPORTANT: Never put any part of your hand over the muzzle; grip only the top and sides of the slide.**



B. Unloading the Pellets

- Put air pistol "On Safe" (See **Step 2A**). Point the air pistol in a SAFE DIRECTION.
- If necessary, de-cock the air pistol by placing your thumb on the hammer and pulling the trigger as you slowly guide the hammer back into the upward position, then release the trigger.
- Open the slide by pushing the release lever downward to the position shown in Figure 8.
- Remove the pellet clip. Using a ramrod, gently push each pellet out of the pellet chamber.
- **IMPORTANT:** Never use sharp metal tools to remove pellets.
- Replace the empty pellet clip with the ratchet teeth facing rearward. (See Fig. 9).
- Grip the slide from the top and move it rearward to the closed position.
- **IMPORTANT: Never put any part of your hand over the muzzle; grip only the top and sides of the slide.**
- Check to make sure the barrel is completely unloaded. Point the muzzle in a SAFE DIRECTION, take "Off Safe," (see **Step 2B**) cock the hammer and squeeze the trigger to fire.
- You may also unload your air pistol by following the directions listed under Step 6 - Removing a Jammed Pellet.

Step 5. Aiming and Firing Safely

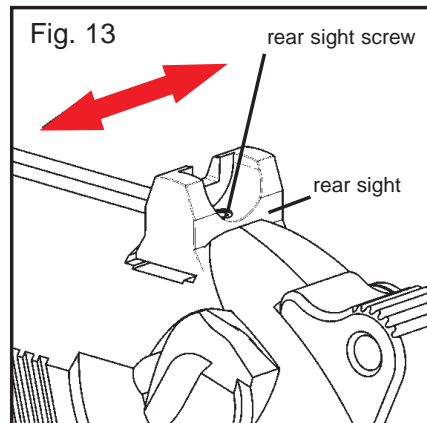
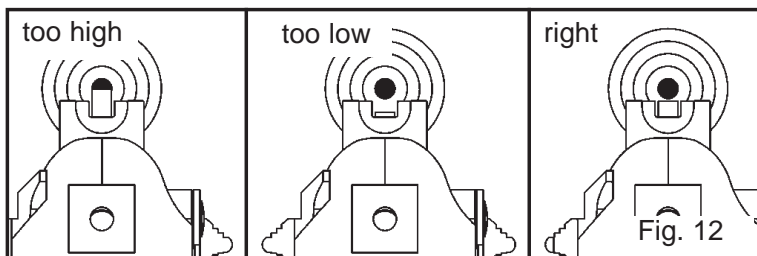
A. Aiming and Firing the Air Pistol

- You and others with you should always wear shooting glasses to protect your eyes.
- Always aim your air pistol in a SAFE DIRECTION. When you are sure of your target and backstop, and the area around the target is clear, take the air pistol "Off Safe" (See **Step 2B**).
- This air pistol will function in either "Double Action" or "Single Action" mode. To fire in "Double Action", apply steady pressure to the trigger until the pistol fires. "Single Action" mode means that the hammer has to be manually cocked prior to firing. To use "Single Action" mode, pull back the hammer and squeeze the trigger. For rapid-fire shooting, we recommend the "Double Action" mode, for more precise shooting we recommend the, "Single Action" mode. To de-cock the hammer, put the air pistol "On Safe," point the air pistol in a SAFE DIRECTION, place your thumb on the hammer and pull the trigger as you slowly guide the hammer back into the upward position, then release the trigger.
- Do not shoot at hard surfaces or at the surface of water. The pellet may bounce off or ricochet and hit someone or something you had not intended to hit.
- Always choose your target carefully. It is best to shoot at paper bullseye targets which are attached to a safe backstop. A heavy blanket should be hung behind the backstop to prevent ricochet should you miss the backstop.
- Your backstop should be checked for wear before and after each use. Replace your backstop if the surface is worn or damaged or if a ricochet occurs.
- Your air pistol is designed for target shooting and is suited for both indoor and outdoor use. Always remember to place your target carefully. THINK about what you will hit if you miss the target.
- The air pistol is correctly aimed when the front sight blade is positioned exactly in the notch of the rear sight. The top of the front sight blade should be even with the top of the notch in the rear sight. The bullseye should appear to rest on the top of the front sight (Fig. 12).

B. Rear Sight Adjustment

Use a hex wrench to turn the rear sight screw counterclockwise to loosen the sight. (see Fig. 13)

If the pistol is shooting to far to the right, slide the rear sight to the left. If the pistol is shooting too far to the left, slide the rear sight to the right.



Step 6. Removing a Jammed Pellet

IMPORTANT: The fact that the air pistol does not fire a projectile is never a reason to assume that the air-gun is not loaded. Make sure that there is no pellet jammed between the pellet clip and the barrel.

- Follow the instructions under Step 4B -Unloading the Pellets.
- If the jam is in the barrel, remove the pellet clip (See **Step 4B**) insert a ramrod of the proper size into the muzzle end of the barrel and carefully push the jammed pellet into the breech. **The barrel could be damaged if the proper sized ramrod is not used.**
- Once you have pushed the pellet back into the breech, shake the air pistol until the jammed pellet falls out. Do not try to reuse that pellet.
- If you are not able to unjam your air pistol by following the unloading procedure, take no further action. Air Venturi or an Authorized Service Station will unjam your air pistol (no cost during the warranty period).

Step 7. Maintaining Your Air pistol

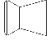
IMPORTANT: Before you attempt to oil your air pistol, always make sure the CO₂ cylinder and pellet clip are removed and you have checked the barrel to make sure there are no pellets left in it (See Steps **3A & 4B**).

- Your air pistol will maintain proper function for a long time if you oil the CO₂ cylinder lock hinge, slide and pellet clip release lever with 2-3 drops of lubricating oil after you have fired approximately 250 shots. DO NOT use a petroleum distillate based oil or solvent and DO NOT over-oil because this can cause damage to your air pistol.
- Your air pistol will work best if you put just a drop of lubricating oil directly on the tip of the CO₂ Cartridge before inserting. DO NOT use a petroleum distillate based oil or solvent and DO NOT over -oil as this can cause damage to your air pistol.
- Tampering with the air pistol or attempts to change the air pistol in any way may make it unsafe to use and will void the warranty.
- If you drop your air pistol, check to see that it works properly before you use it again. If anything seems changed, like a shorter or weaker trigger pull, this may mean worn out or broken parts. **Call Customer Service at Air Venturi for assistance before using your air pistol again.**

Step 8. Reviewing Safety

- Do not ever point the air pistol at any person. Do not ever point the air pistol at anything you do not intend to shoot.
- Always treat the air pistol as though it is loaded and with the same respect, you would a firearm.
- Always keep the muzzle of the air pistol pointed in a SAFE DIRECTION. NEVER put any part of your hand over the muzzle.
- Always keep the air pistol "On Safe" until you are ready to shoot in a SAFE DIRECTION.
- Always check to see if the air pistol is "On Safe" and unloaded when getting it from another person or from storage.
- Always keep your finger off the trigger and out of the trigger guard until ready to shoot.
- You and others with you should always wear shooting glasses to protect your eyes.
- Keep hands and face away from escaping CO₂ gas. It can cause frostbite if allowed to come in contact with skin.
- Use .177 caliber (4.5 mm) pellets only. Never reuse pellets.
- Do not shoot at hard surfaces or at the surface of water. The pellet may bounce off or ricochet and hit someone or something you had not intended to hit.
- Replace the backstop if it becomes worn. Place the backstop in a location that will be safe should the backstop fail.
- Do not attempt to disassemble or tamper with your air pistol. Use an Authorized Service Station or return it to the factory for repair.
- Do not put the air pistol away loaded or charged with CO₂. Make sure **ALL** of the pellets are unloaded from the air pistol. (See Step **3A and 4B**).

SPECIFICATIONS

Mechanism:		CO ₂ Pistol	
Caliber/Ammunition:		.177 cal. (4.5 mm) Lead Airgun Pellet	
Weight:	Model XX-TREME	52 oz. (1500g)	
Length:	Model XX-TREME	12" (300mm)	
Barrel length:	Model XX-TREME	5" (127mm)	
Barrel:		Rifled Steel	
Sights:			
Rear:	Model XX-TREME	Adjustable for Windage	
Front:		Fixed	
Power Source:		12 gram CO ₂ cartridge	
Safety:		Hammer block safety	
Velocity:	Model XX-TREME	Up to 425 fps (130 m/s)	

PERFORMANCE

Many factors affect velocity, including brand of projectile, type of projectile, amount of CO₂ in cartridge, lubrication, barrel condition and temperature.

REPAIR SERVICE

If your air pistol needs repair, we recommend that you take or send it to an Authorized Service Station or Air Venturi. For an Authorized Service Station near you, visit our web site at www.airventuri.com or call Customer Service at phone (888) 262-4867 or fax (216) 896-0896. International customers should contact their distributors. **DO NOT ATTEMPT TO DISASSEMBLE IT!** Your air pistol requires special tools and fixtures to repair it. If you take it apart, you probably will not be able to reassemble it correctly. Air Venturi assumes no warranty responsibility under such circumstances.

LIMITED ONE YEAR WARRANTY

This product is warranted to the retail consumer for one year from date of retail purchase against defects in material and workmanship and is transferable. To register the serial number, located on the barrel of your gun, please return the Product Registration form found in your owner's manual packet. The warranty is not conditioned on the return of the card.

WHAT IS COVERED

Replacement parts and labor. Transportation charges to consumer for repaired product.

WHAT IS NOT COVERED

Transportation charges to Air Venturi or an Authorized Service Station for defective product. Damages caused by abuse or failure to perform normal maintenance. Any other expense. **CONSEQUENTIAL DAMAGES, INCIDENTAL DAMAGES, OR INCIDENTAL EXPENSES, INCLUDING DAMAGE TO PROPERTY. SOME STATES DO NOT ALLOW THE EXCLUSION OR LIMITATION OF INCIDENTAL OR CONSEQUENTIAL DAMAGES, SO THE ABOVE LIMITATION OR EXCLUSION MAY NOT APPLY TO YOU.**

WARRANTY CLAIMS

Attach your name, address, description of problem, phone number and copy of sales receipt to product. Package and return to

Air Venturi

26800 Fargo Avenue,

Unit#A-1 Bedford Heights,

Ohio 44146

or an Authorized Service Station.

IMPLIED WARRANTIES

ANY IMPLIED WARRANTIES, INCLUDING THE IMPLIED WARRANTIES OF MERCHANTABILITY AND FITNESS FOR A PARTICULAR PURPOSE, ARE LIMITED IN DURATION TO ONE YEAR FROM DATE OF RETAIL PURCHASE. SOME STATES DO NOT ALLOW LIMITATIONS ON HOW LONG AN IMPLIED WARRANTY LASTS, SO THE ABOVE LIMITATIONS MAY NOT APPLY TO YOU.

To the extent any provision of this warranty is prohibited by federal, state, or municipal law which cannot be preempted, it shall not be applicable. This warranty gives you specific legal rights, and you may also have other rights which vary from state to state and country to country.

Problems

Problem	POSSIBLE CAUSE	Safety is on	Empty CO2 cylinder	Dirty barrel	Defective CO2 cylinder	Extreme temperatures	Wrong ammunition	Pellets loaded upside down	Slide not properly closed and locked	Incorrect sight adjustment
Inferior accuracy		●	●		●	●	●		●	
Air pistol does not fire	●	●		●		●	●	●		
Low velocity		●	●		●	●	●			