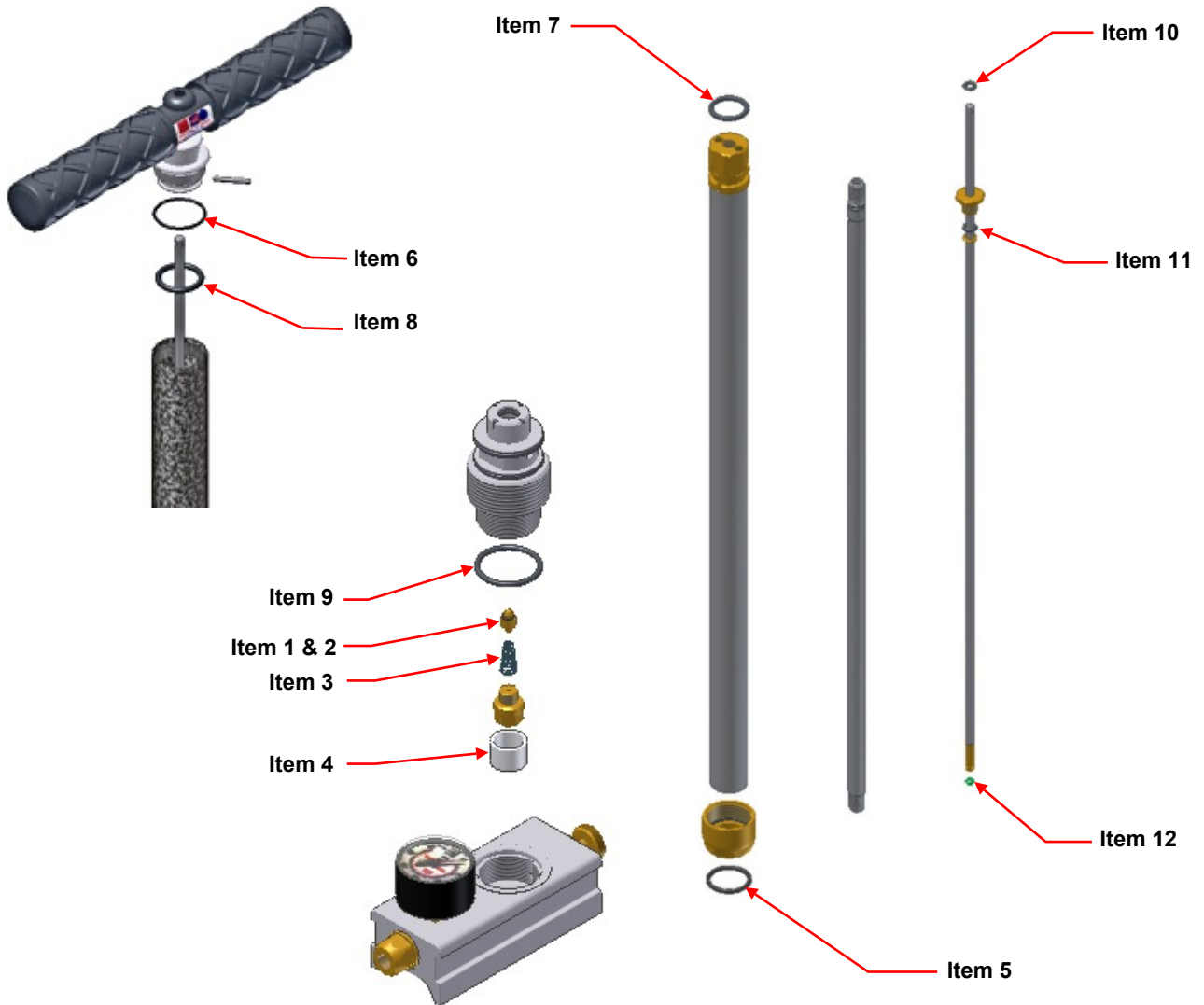


# Z4128-401 Air Compressor Repair Kit



## ERNEST H. HILL LIMITED

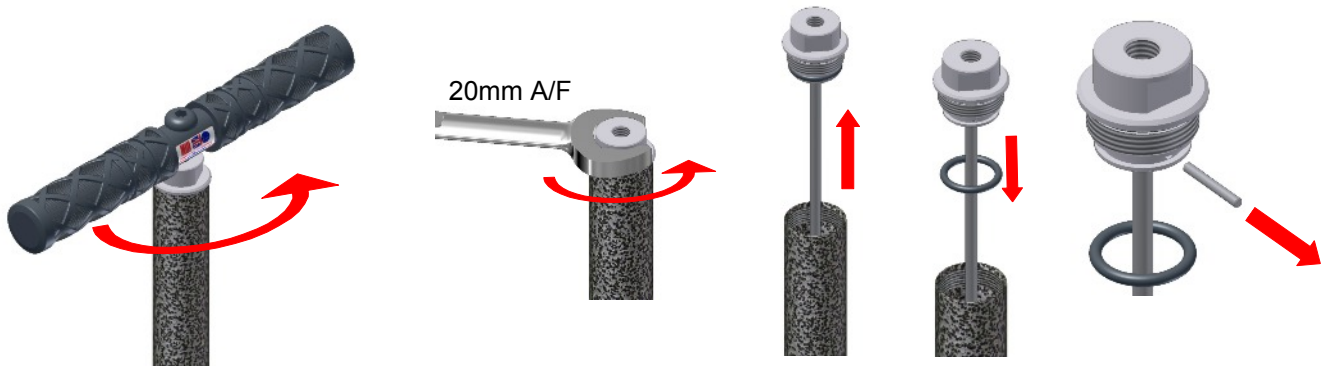
LONGACRE WAY - HOLBROOK - SHEFFIELD S20 3FS - ENGLAND

Telephone; +44 (0) 114 248 4882

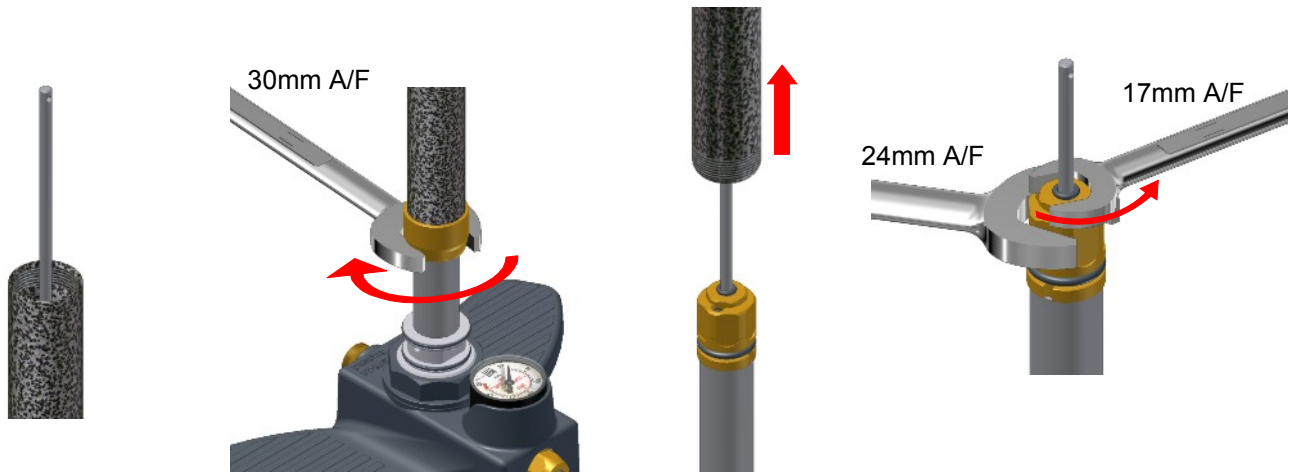
[www.airriflepump.com](http://www.airriflepump.com)

email; [sales@hillpumps.com](mailto:sales@hillpumps.com)

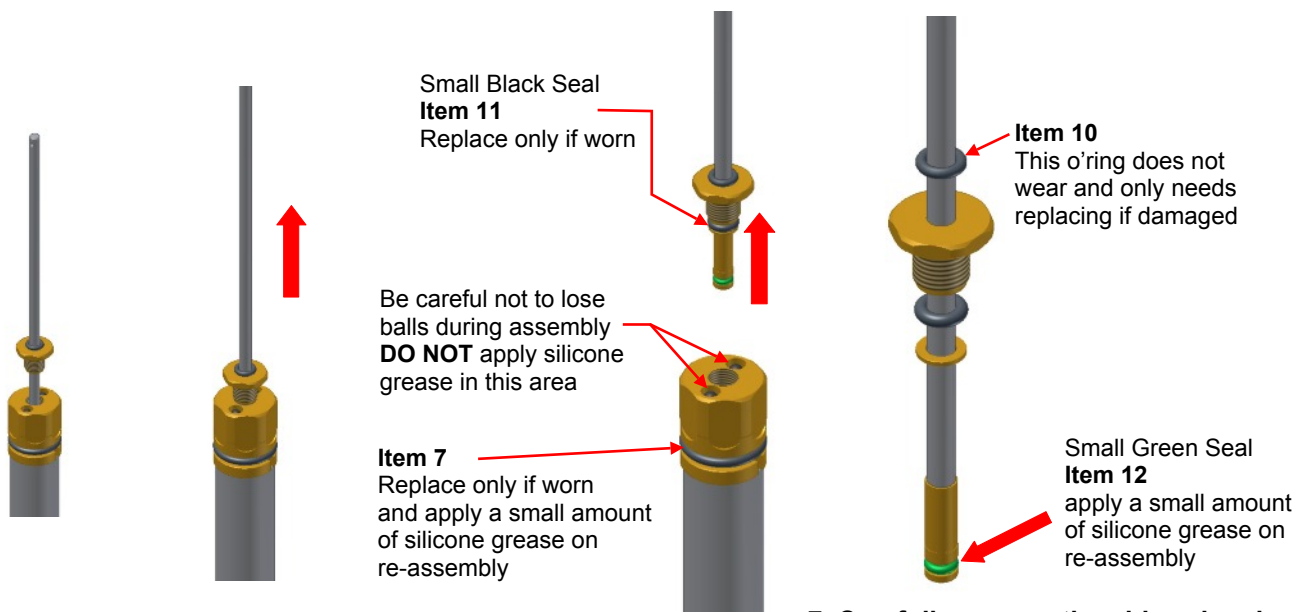
# Piston Seal Replacement



1. Unscrew and remove handle    2. Unscrew handle connector    3. Lift handle connector. Remove o-ring to expose pin. Use suitable tool to push pin from one side and then pull out. **Ensure o-ring is securely located in groove on re-assembly.**



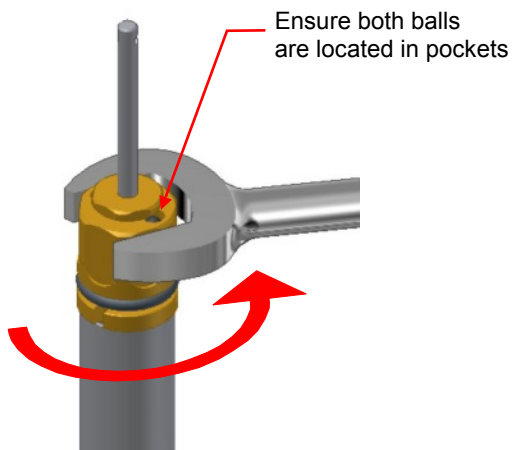
4. Unscrew outer body tube end cap and remove body tube    5. Unscrew the ball / seal retainer use a separate spanner to hold the large hexagon below it.



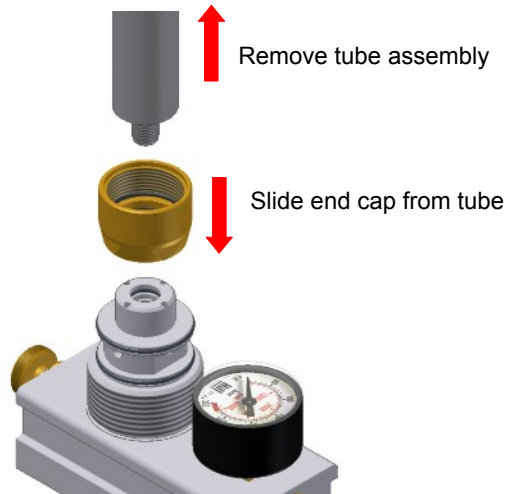
6. When free, pull the piston rod clear of the pump.    7. Carefully remove the old seal and replace.

**If you are only replacing piston seal Re-assemble pump in reverse order see page 3 to replace inner slide tube seals**

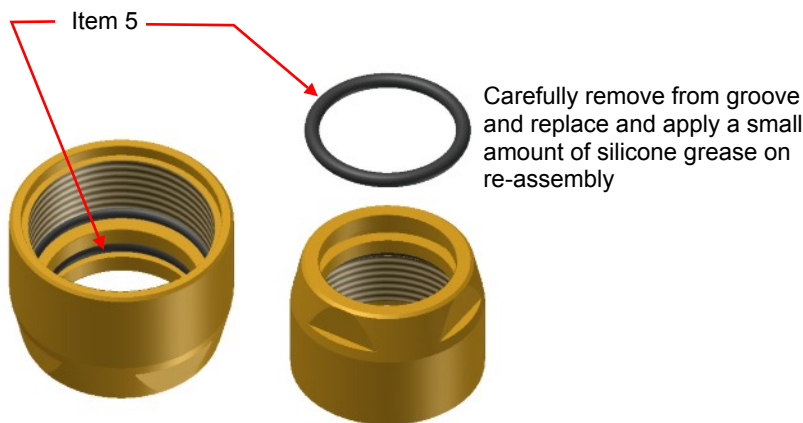
## Inner Slide Tube Seal Replacement



**A1. Unscrew air exchanger valve**



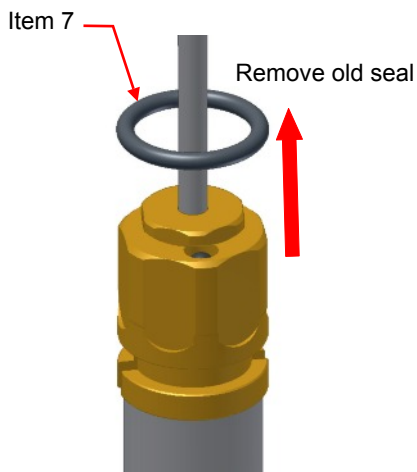
**A2. This will release inner slide tube from non return valve at the base manifold end**



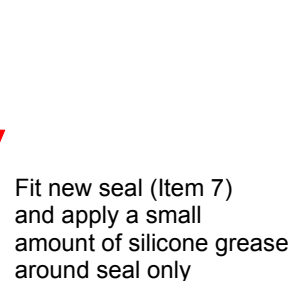
**A3. Replace O'ring - Item 5**



**A4. Slide end cap back over tube and re-assemble**



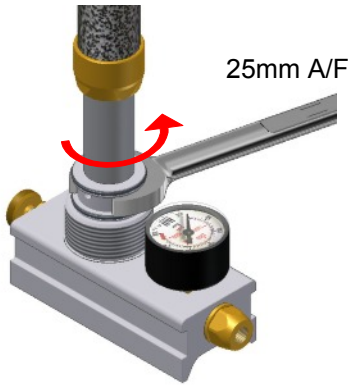
**A5. Replace O'ring - Item 7**



**Re-assemble pump in reverse order  
see page 4 to replace micron filter and non return valve**

# Micron Filter & Non Return Valve Replacement

Note: The inclusion of this o'ring has **NO EFFECT** on the performance of the pump and is simply a manufacturing change



**B1. Unscrew Non Return Valve Housing and remove from Manifold Block**



**B2. Remove Micron Filter (Item 4) using long nose pliers**

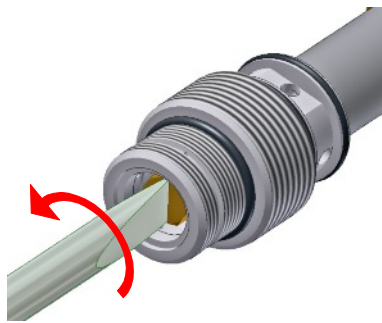
Original version of pump (No o'ring)



Latest version of pump

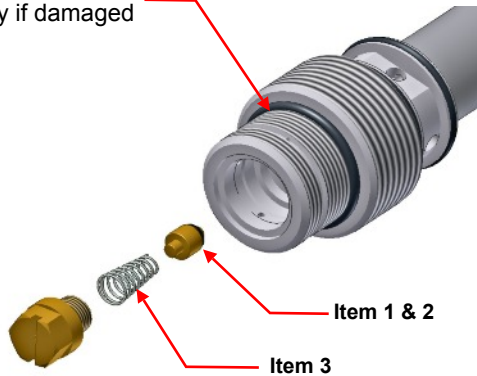


Retain this o'ring for re-assembly as it is not included in the kit



**B3. Unscrew Spring Retainer using broad blade screwdriver or 13mm A/F hexagon socket**

Item 9 Replace only if damaged



**B4. Remove spring retainer, spring and non return valve spindle and replace with new parts**

Original version of pump (No o'ring)



Latest version of pump



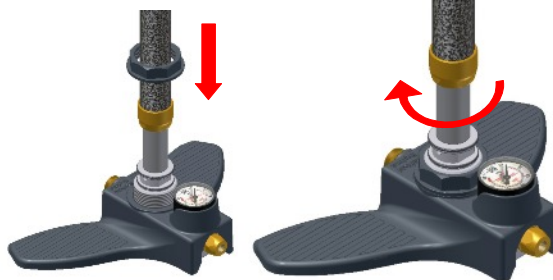
**B5. Fit new micron filter Item 4 and re-assemble**

Note; All items (2,3,4 & 9) must be clean and dry before re-assembly. **DO NOT** apply silicone grease to any of these items

**Re-assemble pump in reverse order**



**B6. Replace foot plate**



**B7. Replace lock ring**



**B8. Replace handle**