



Automatic Electric Gun (A.E.G.)

Adjustable Hop Up

Metal Gearbox

Pre-Upgraded Internals



A. S. C.

Advanced Squad Carbine

Read Through Manual Before Use

Visit us at:

WWW.ECHO1USA.COM

-WARNING-

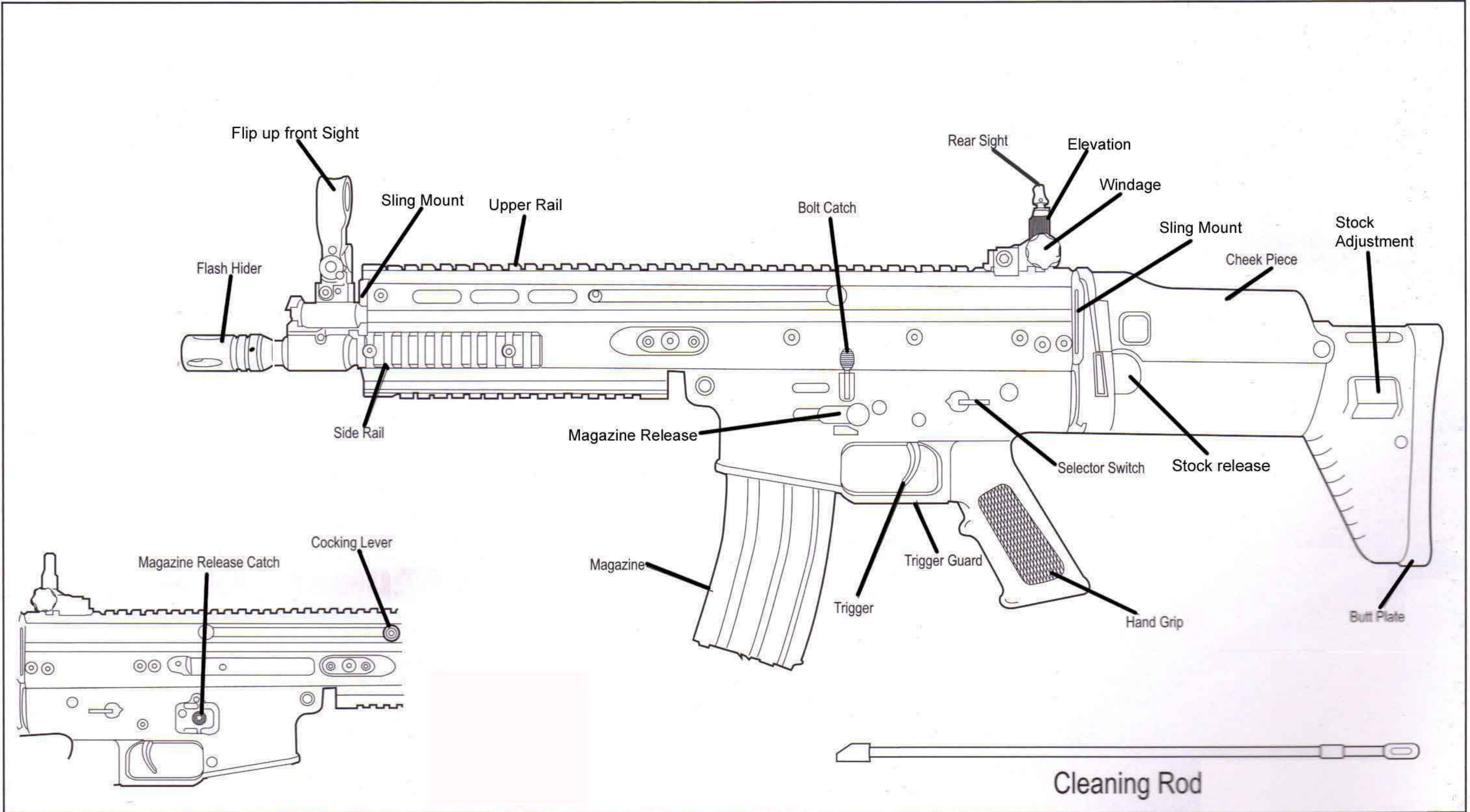
This AEG is FOR AGES 18 and above.

AIRSOFT GUNS CAN CAUSE SERIOUS INJURY. Eye & Face protection REQUIRED.

Please read through the MANUAL BEFORE USE to avoid injuries or damages.

1 Nomenclature

Always set the selector switch to the safe position when you are not firing or during storage

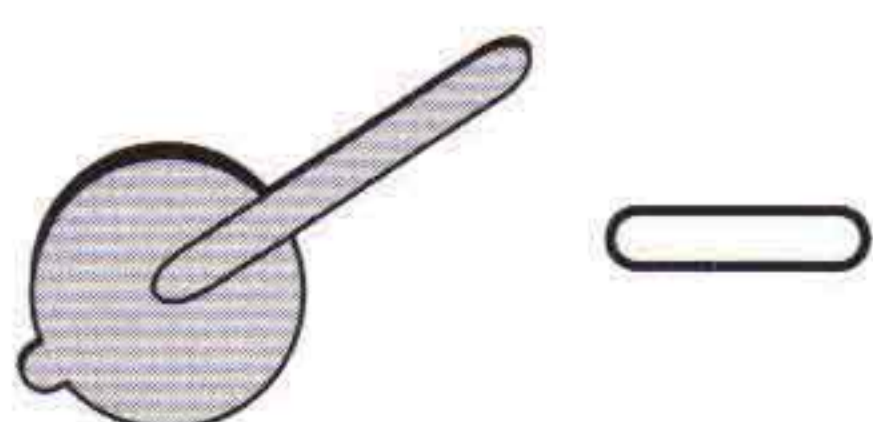


2 Specifications

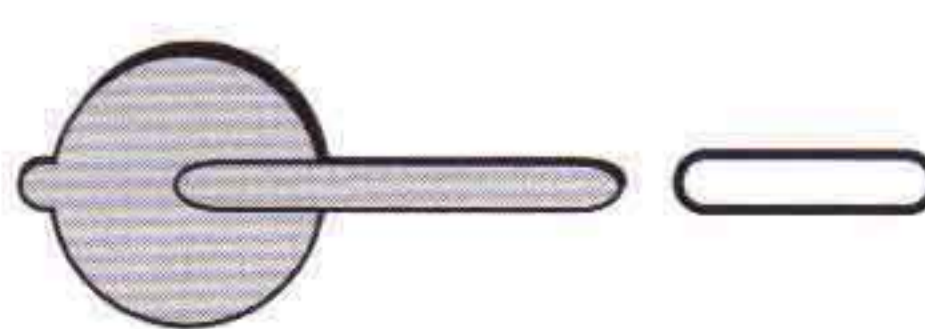
| Data of Automatic Electric Gun | |
|--------------------------------|---|
| Name | A.S.C.  |
| Weight | 3.5 kg |
| Barrel Length | 300mm |
| Barrel Caliber | 6.08mm |
| Magazine | 100/450 |
| BB Ammo | 6mm BB |
| FPS (Feet Per Second) | 360-380 FPS |
| Battery Type | Mini Type (8.4 v) |

3 Operation

1 How to use Selector Switch



S : Safety Lock



E : Semi Auto



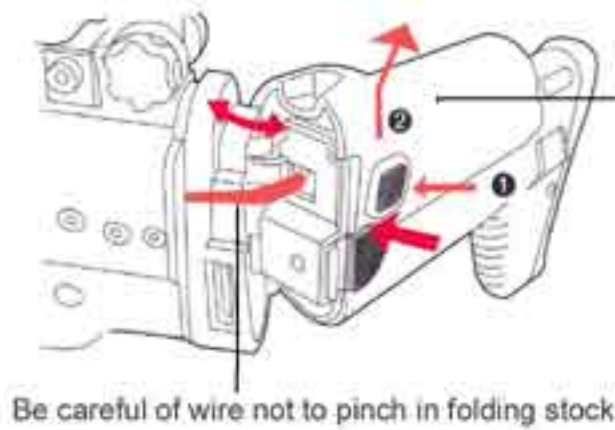
F : Full Auto

How to insert battery

CAUTION Be careful with your fingers.

Set the battery after charging

- 1 Push the button and flip out the stock.

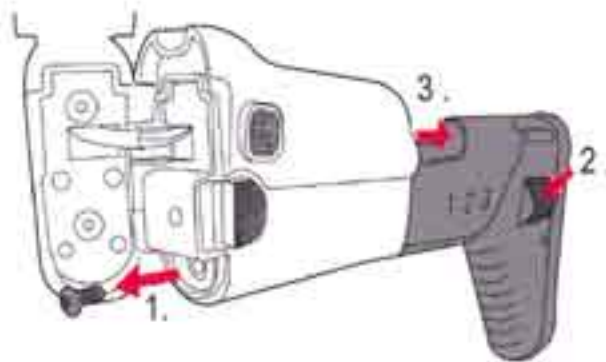


Raise the cheek rest to expose battery compartment. Make sure to keep the connector plug inside the stock compartment and not in folding section. Connect both plugs together.



The plugs are secure now and ready for use.

- 2 Release the screw with a 3mm hex key then press the stop button and pull out the lower part.



This option is for the installation of different batteries other than stock. Please use caution when opening.

3 Magazine Loading Instructions

High precision is required for the operation of this magazine. Avoid invasion of dust and dirt into the magazine to prevent malfunctions.

CAUTION

About 30 bb's will remain in the magazine. Be careful when shooting the gun upside down.

Operational Tips:

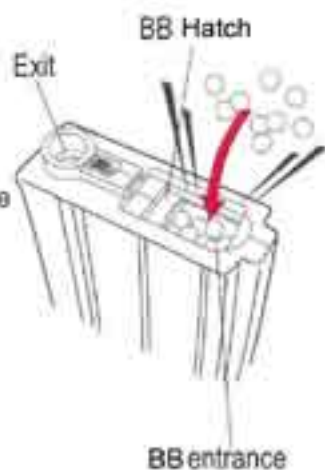
Gently tap the magazine to ensure smooth feeding.

Turn the bottom wheel every 20-40 BB's shot to ensure smooth feeding.

1. Press the magazine catch to detach the magazine



2. Open the top hatch and insert BB's. About 300 can be loaded. Do not force the bb's into the magazine.



3. Close the hatch



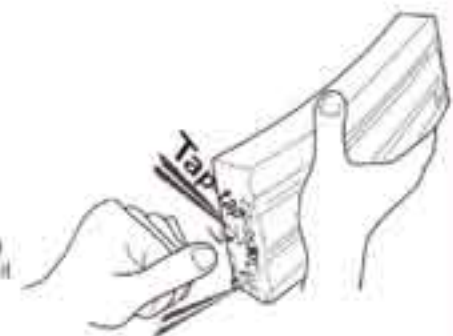
4. Hold the magazine with BB entrance facing up and turn the bottom gear.

Turn the gear all the way until the sound changes.

The gear will not be damaged even if you turn it excessively.



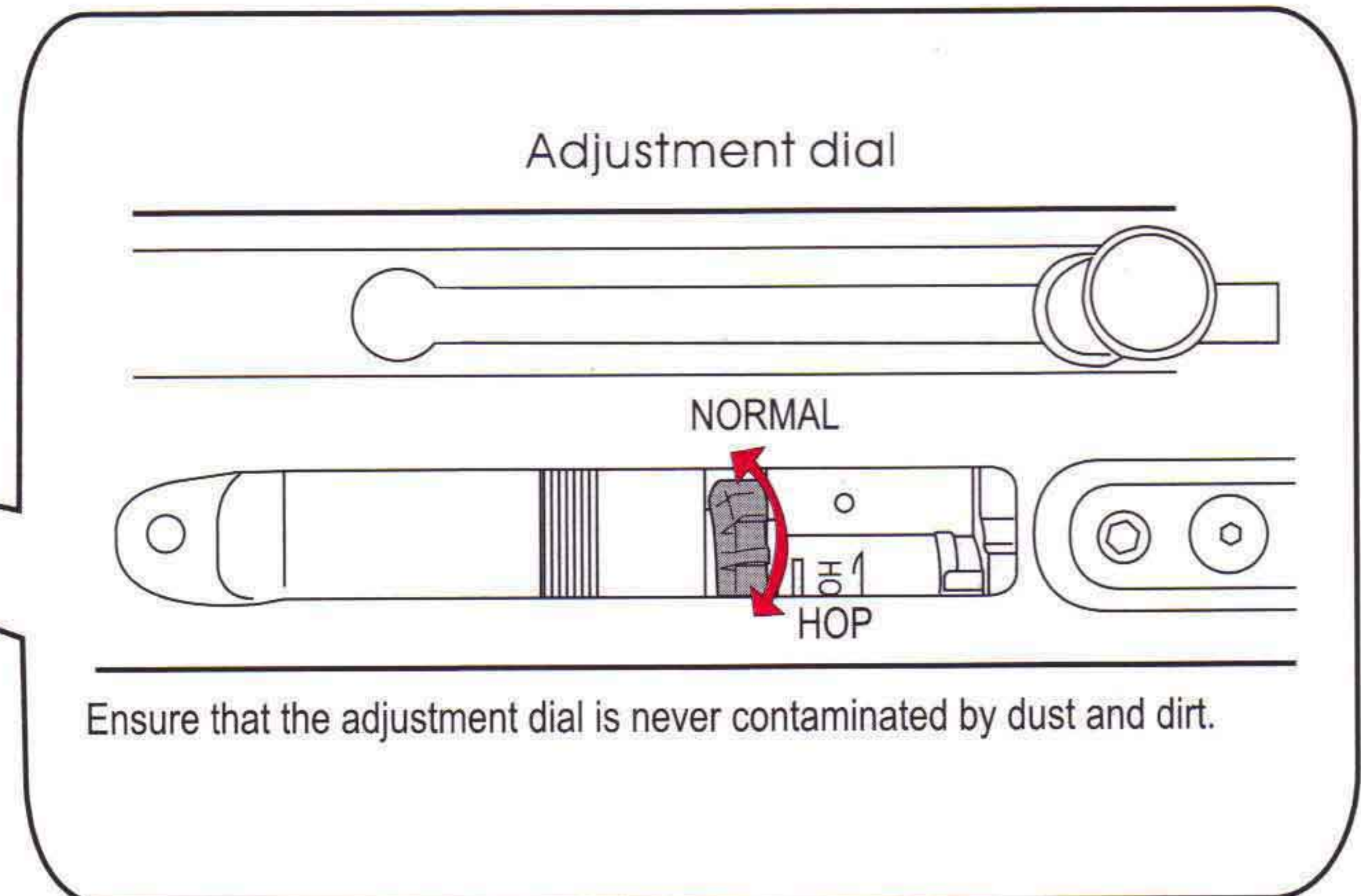
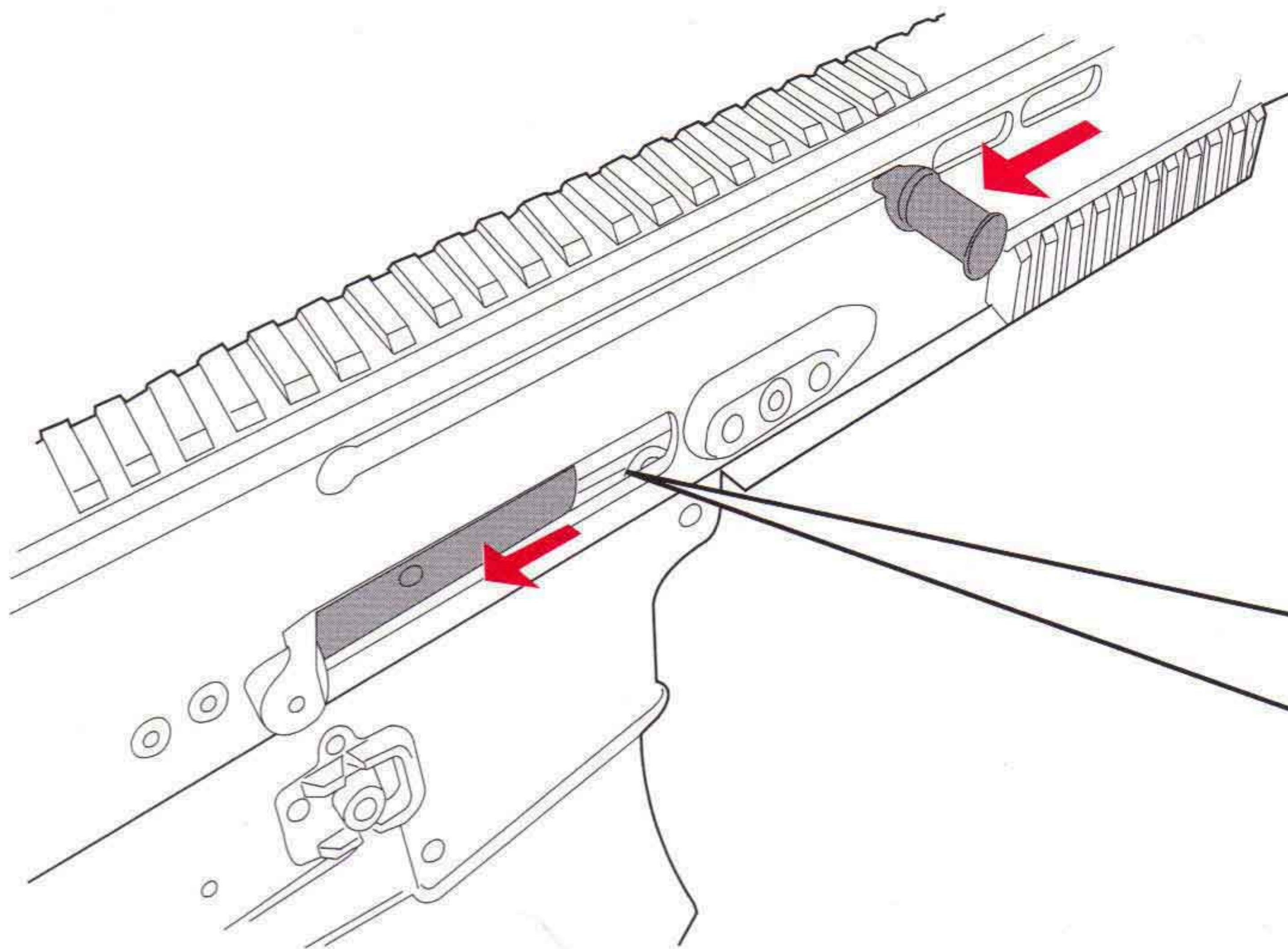
5. Check the BB's and see if they are lifted to the Exit.



• Remove BB's remaining in the duct by reversing the magazine and using the release lever as shown. This ensures smooth operation next time.

Adjust the Hop-Up

1 Adjust the Hop-up Chamber



5 How to fire

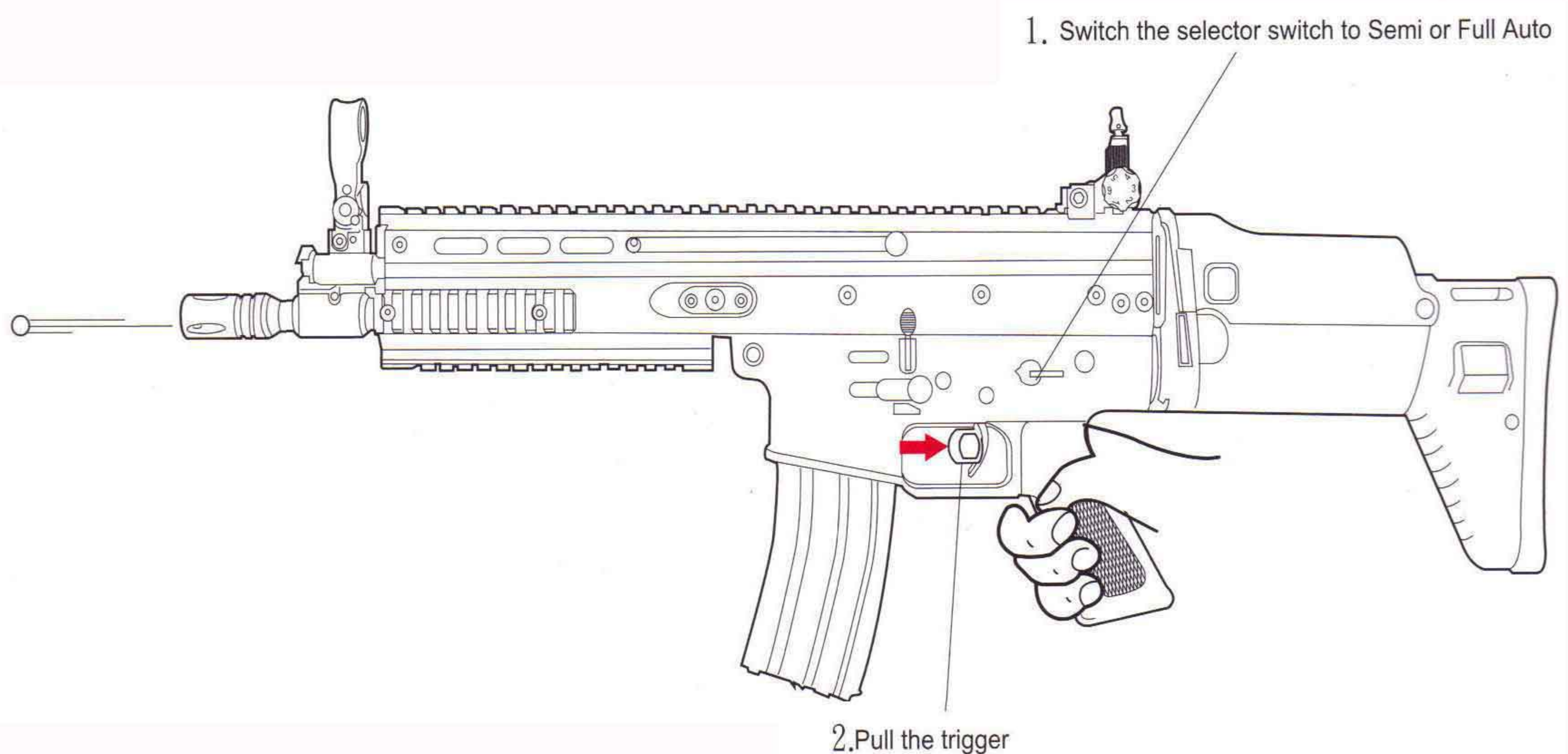
Blank firing may occur after seating the magazine, this is the normal operation of the gun.

Cautions on Motor and Battery

- Change the battery if the firing cycle becomes slow.
- Give the air gun a rest for 5 to 10 minutes after firing about 500bb's in order to ensure high durability of the motor and battery.

When BB's are clogged

- Remove them and apply a few drops of silicone oil into the chamber from the magazine entrance. Never use WD 40 or Petroleum oils.



• There are possible cases that no firing occurs after pulling the trigger in the semi auto mode. In case, do not pull the trigger furiously. Fire 5 to 10 BB's in the full auto mode and then return to the semi auto mode.



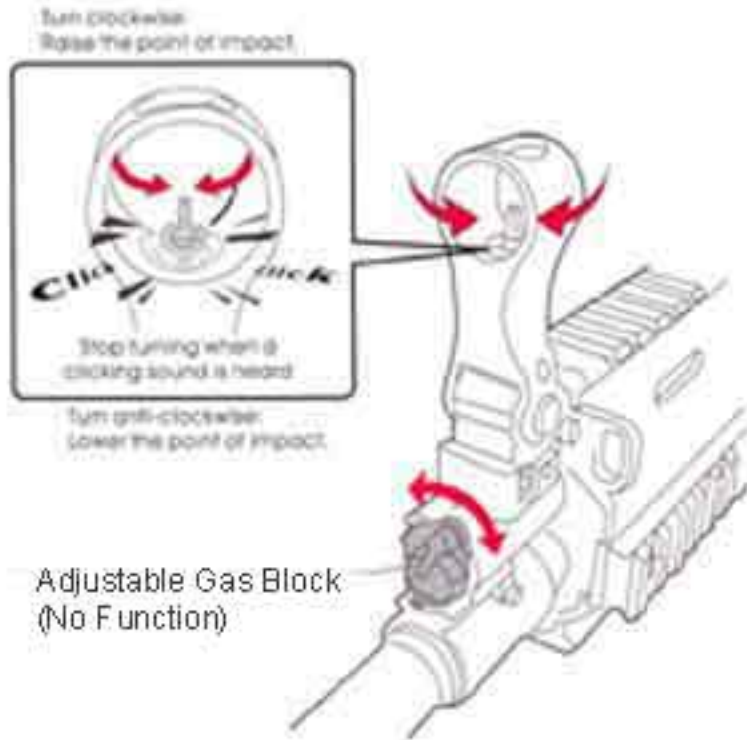
• Smell may be generated from the motor for a while when a new air gun is operated, this is the normal operation of the gun.



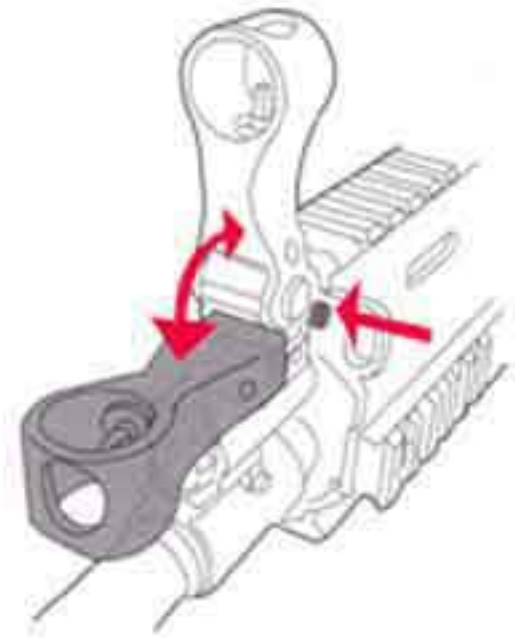
• The hop up operation may be unstable for 200 to 300 BB's after using silicone oil, this is the normal operation of the gun.

Sight Adjustment

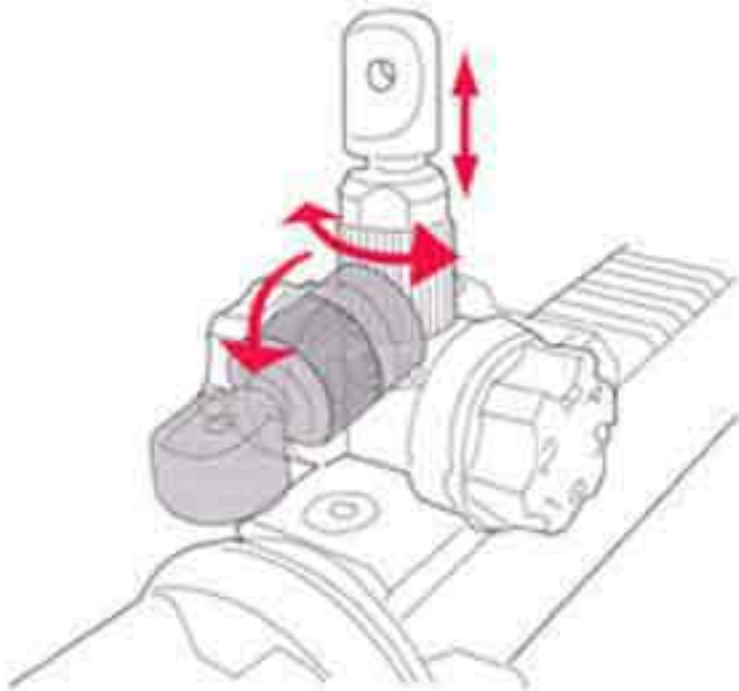
1 Front Sight :
Setting the point of impact.



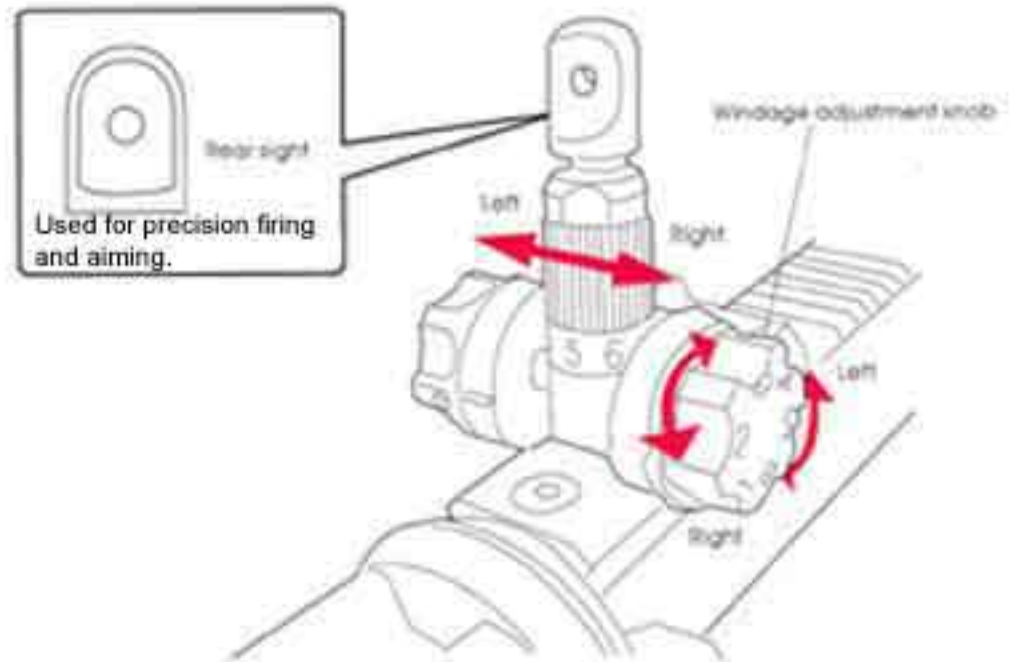
2 Front sight:
Push the small button on the left to
flip the sight up and down.



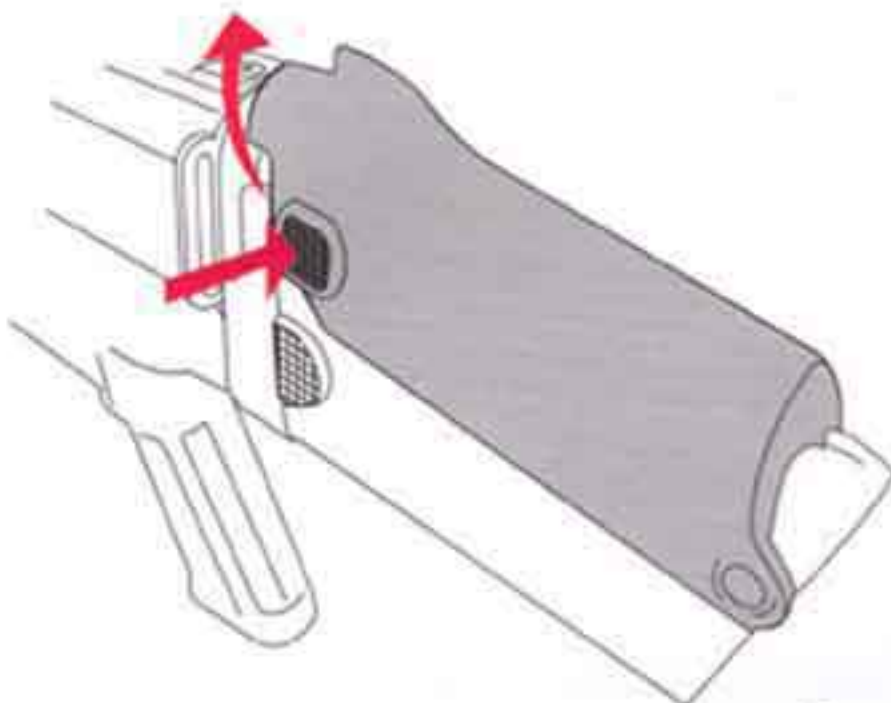
3 Rear Sight :
You can adjust the rear sight by turning.



4 Rear Sight :
The rear sight can move left or right by turning the knob.

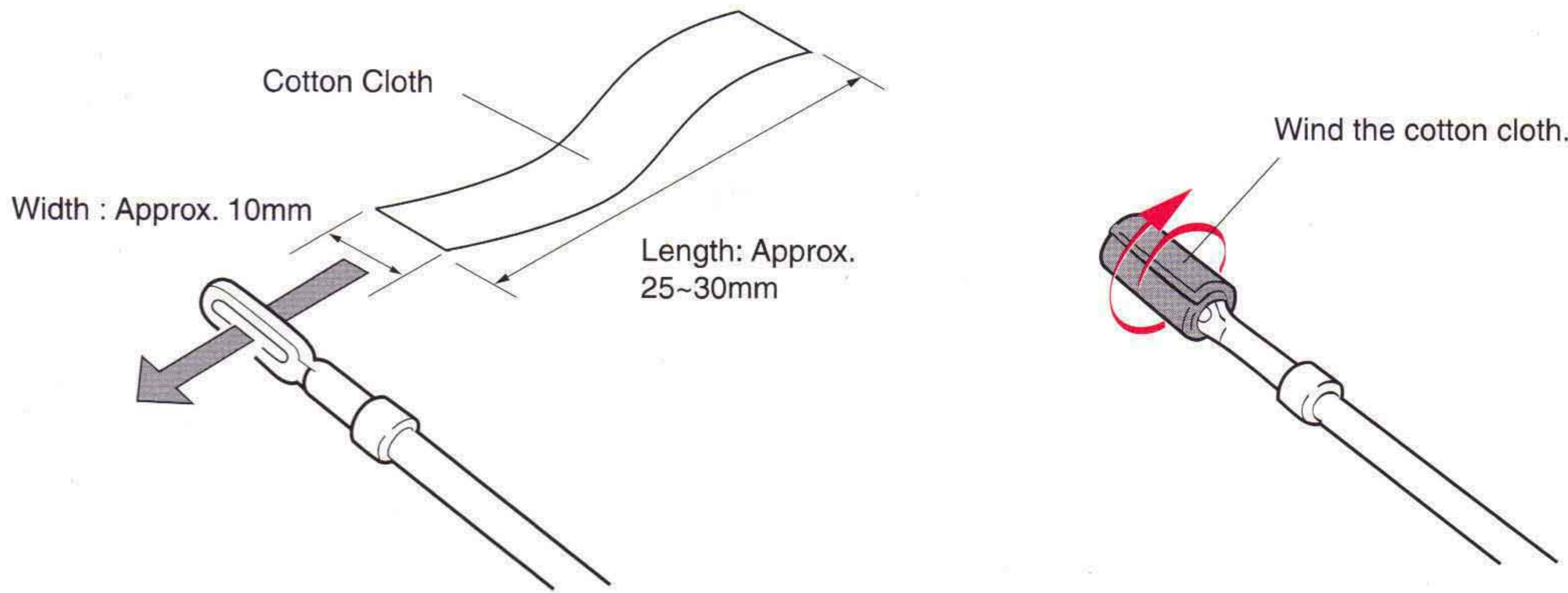


5 Press the button to raise up & down the cheek piece.



Maintenance

1 How to use a cleaning rod



CAUTION Never use any used BB

Use an ECHO 1 USA 6mm bb.

Please don't use any BB which is not completed.

Please don't use any broken BB

Please don't use any BB which diameter exceed 6 mm.

USE OF .12g, Translucent, Low quality .20g BBs. When in doubt do not use any BBs purchased from large discount sporting good stores or retail sporting good chains. The use of these types of BBs WILL DAMAGE YOUR AEG AND VOID ITS WARRANTY. Only purchase high quality BBs from a professional Airsoft Retail Store."

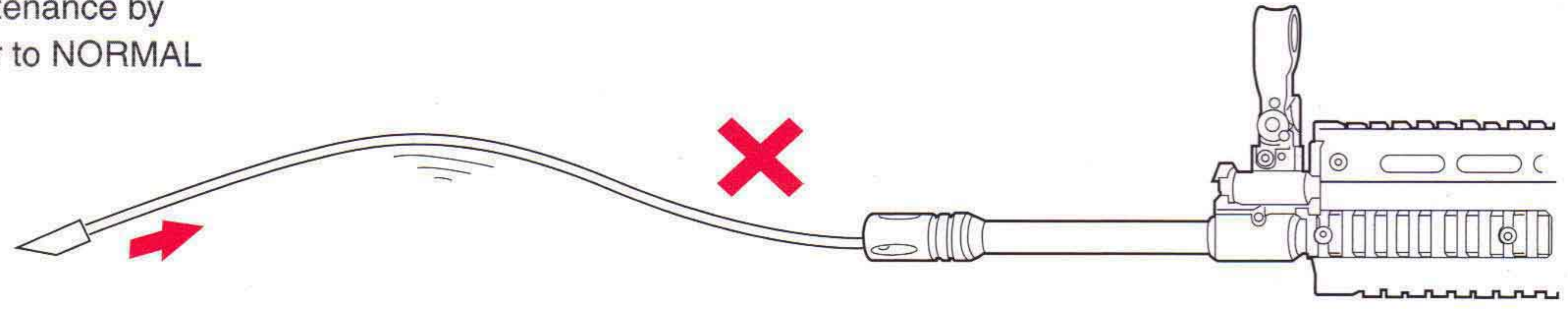
Cut a cotton cloth to the size as shown above and insert one end into the hole in the rod. (Adjust the length of cloth for smooth entry into the barrel.)

CAUTION

CAUTION: Always begin the maintenance by returning the hop up adjustment lever to NORMAL

CAUTION

CAUTION: The chamber is a precision component. Never use any used BB

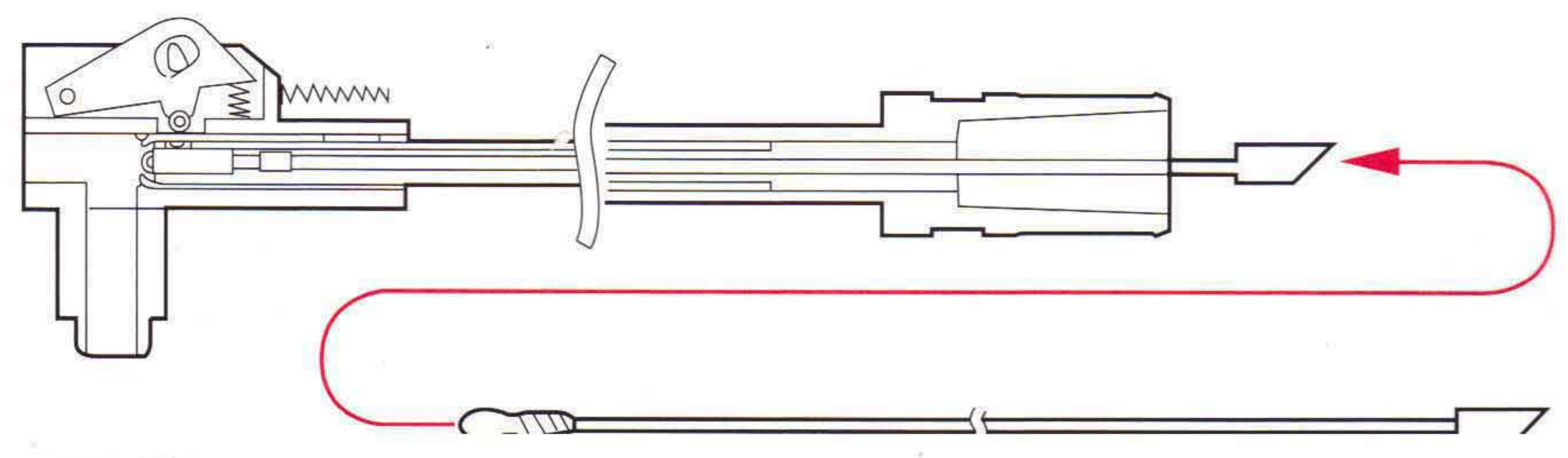


* The hop-up performance may become unstable for 60 to 70 after maintenance.

CAUTION

Inserting the rod will be difficult if you hold the rod at the end.

- 1 Spray silicone oil for 0.5 to 1 sec in the pellet entrance, then fire 40 to 50 to make the magazine stable.
- 2 Clean the oil from the chamber using the cleaning rod (with cotton) to complete the maintenance.

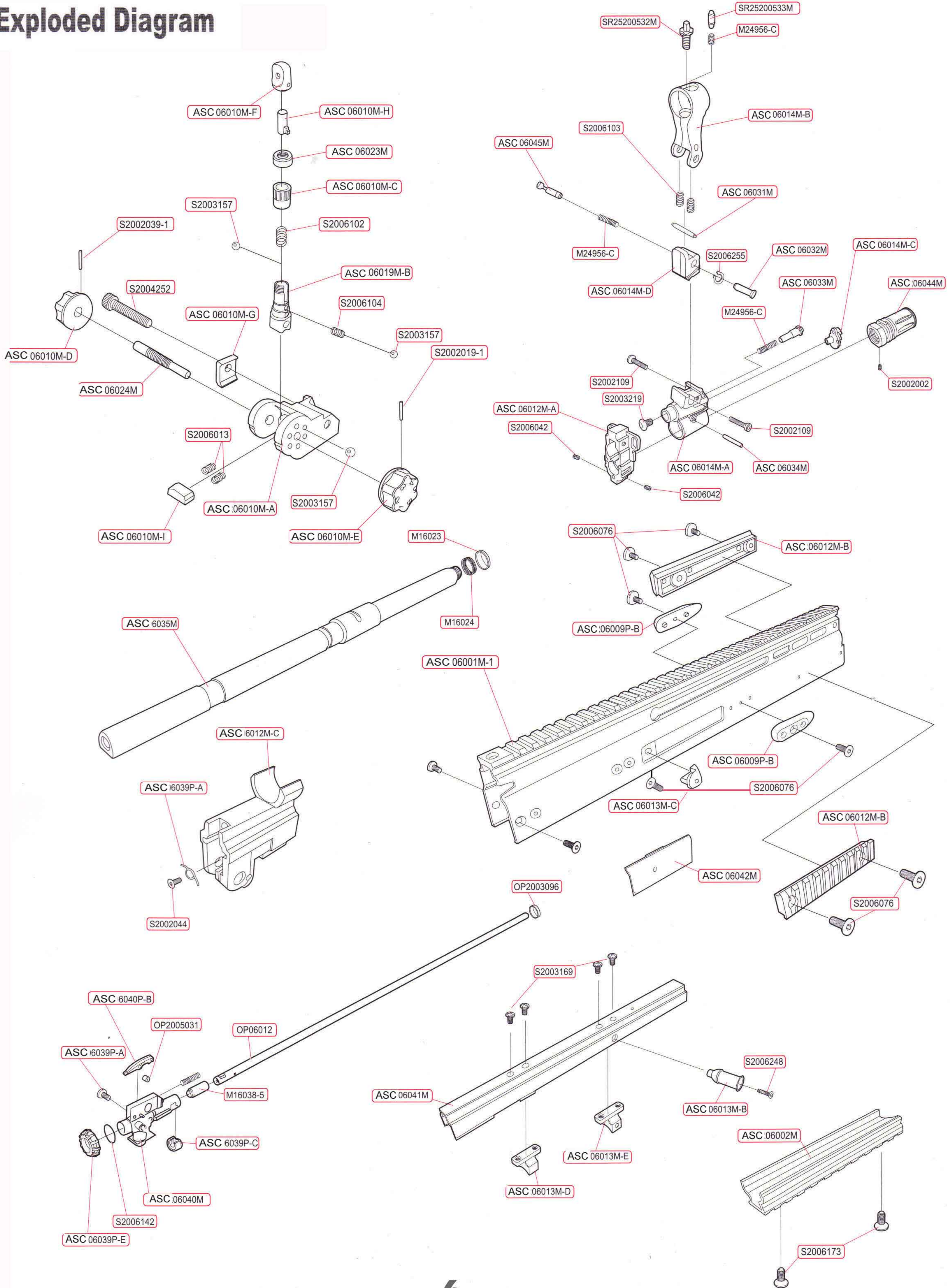


20A Glass Tube Fuse is used

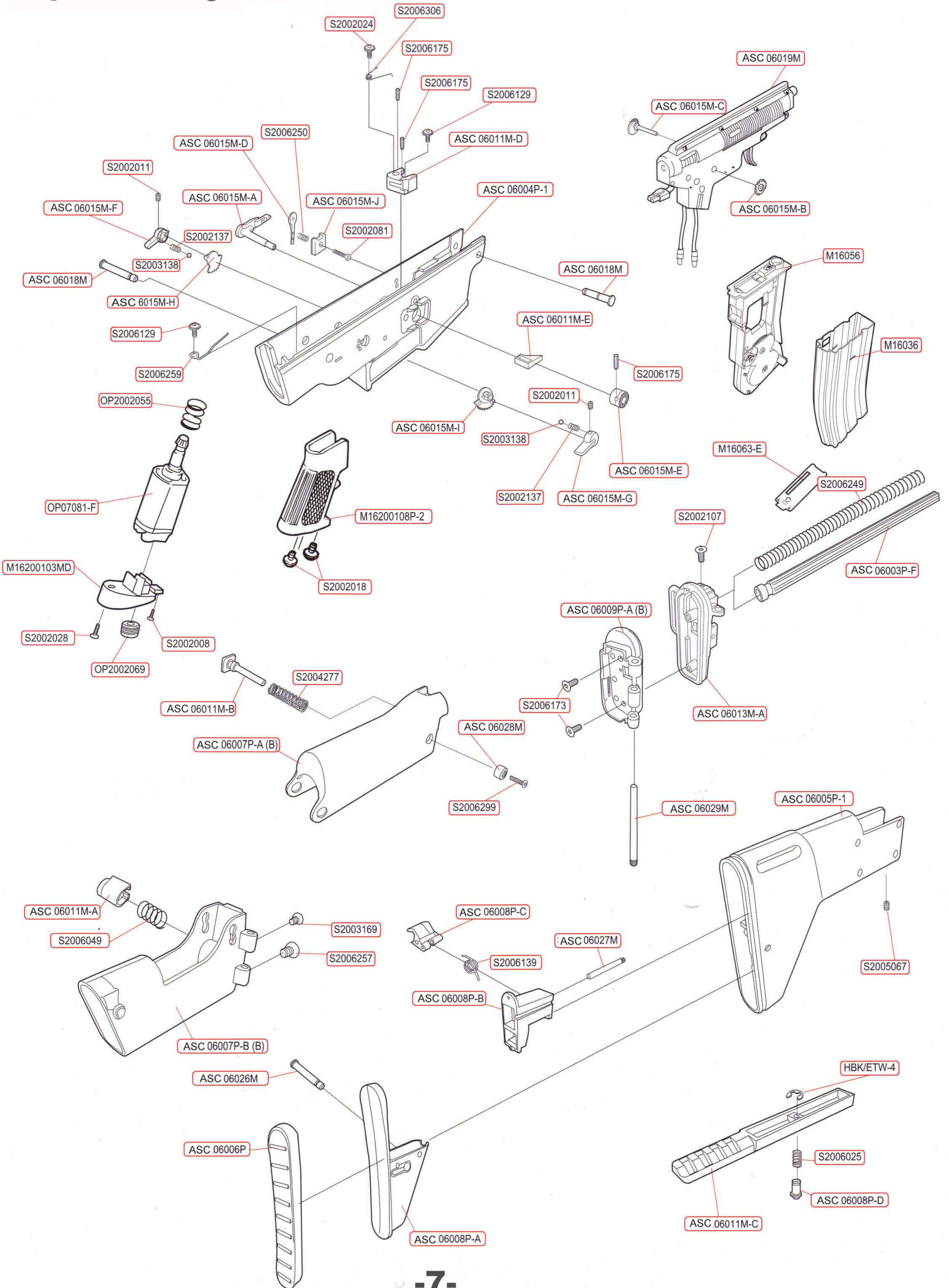
CAUTION

CAUTION: Always begin the maintenance by returning the hop up adjustment lever to Normal. Ensure the magazine and battery are removed and chamber is CLEAR.

Exploded Diagram



Exploded Diagram



ECHO 1 User Manual

It is your **RESPONSIBILITY** to know your local and state laws regarding the **OWNERSHIP, USE and TRANSPORT** of your airsoft gun. If you are unsure of the laws, contact your local law enforcement agency or state government.

- Wear full eye and face protection at all times when handling or using an airsoft gun.
- Always keep your airsoft gun pointed in a safe direction.
- Always keep your airsoft gun unloaded until ready to use.
- Always keep your finger off the trigger until you are ready to shoot.
- Know your target and what is beyond it.
- Know how to operate your airsoft gun. (Refer to your owners manual)
- Use only the recommended BB's in your airsoft gun.
- Never use alcohol or over the counter, prescription or other drugs before or while shooting your airsoft gun.
- Store airsoft guns so they are not accessible to unauthorized persons.
- Make sure your airsoft gun is unloaded and battery has been removed prior to cleaning and storage.

A.S.C.



ECHO1USA.COM