

**MODEL
S410 & S510-SL
CARBINE, CLASSIC &
XTRA FAC
5 & 10 SHOT**



USERS HANDBOOK

THIS HANDBOOK REFERS TO S410 & S510 FAC SIDE LEVER MODELS

PLEASE READ THIS MANUAL BEFORE USING YOUR NEW RIFLE, IT CONTAINS IMPORTANT SAFETY INFORMATION AND INSTRUCTION ON ADJUSTMENT AND MAINTENANCE.



Illustrated with optional telescopic sight and mounts.

HIGH POWER MODELS - OVER 20ft/lbs MUZZLE ENERGY

***** SAFETY CODE *****

- 1 - TREAT THIS AIR RIFLE AS IF LOADED.
- 2 - NEVER POINT IT AT ANYONE, EVEN IF UNLOADED.
- 3 - NEVER LEAVE THIS RIFLE UNATTENDED WHEN COCKED OR LOADED.
- 4 - ALWAYS BE SURE OF WHAT LIES BEYOND YOUR TARGET.
- 5 - ALWAYS CONDUCT YOURSELF IN A SPORTSMAN-LIKE MANNER.

ALWAYS BE AWARE THAT YOUR ACTIONS WILL BE UNDER THE SCRUTINY OF OTHER MEMBERS OF THE PUBLIC WHO MAY NOT SHARE YOUR ENTHUSIASM FOR AIR WEAPONS. BAD PRACTICES PROMOTE BAD PUBLICITY. DO NOT JEOPARDISE

WARNING ! - UNAUTHORIZED DISASSEMBLY OF THIS RIFLE WILL INVALIDATE THE MANUFACTURERS WARRANTY



WARNING!

Not a toy. Adult supervision required. Misuse or careless use may cause serious injury or death. May be dangerous up to 1,000 yards.



WARNING!

Do not inhale dust from lead pellets or put lead pellets in the mouth. Wash hands after handling lead. Lead pellets contain lead, a chemical known to the State of California to cause cancer and birth defects (or other reproductive harm).



WARNING!

Keep the air rifle in the ON SAFE position until you're ready to shoot, then push the safety to the OFF SAFE position.



WARNING!

Keep your fingers off the trigger while cocking the air rifle or with the barrel in the downwards position. Failure to do so may permanently damage your air rifle. Do not shoot without a pellet in the chamber (dry fire). This may permanently damage your air rifle.



WARNING!

Use the correct pellet size according to your Air Arms model. Never reuse pellets. The use of any other kind of ammunition can cause injury to you or damage the air rifle.



WARNING!

Do Not assume that the gun is unloaded if it fails to fire properly.



WARNING!

Never leave your gun loaded. Do not store it loaded.

IMPORTANT INFORMATION, PLEASE READ

Before leaving the factory this rifle was Q.A. inspected and test fired using Air Arms PELLETS to check operation and final adjustment.

It was dispatched in a sealed purpose designed box with a contents label on the lid. Air Arms may not be responsible for any damage to the contents or missing items if the box is not original, if it is damaged or the seals are not intact.

Air Arms cannot be held responsible for damage or missing items due to transit damage, mishandling or being tampered with after leaving the factory.

If this rifle is not received in the original box with the seals intact, please examine carefully for any damage, missing tools or documentation.

In the first instance any problems or complaints regarding this product should be referred to the supplier.

The air cylinder is a highly pressurised unit that must not be modified in any way. Serious personal injury may result if this, and the advice below is not followed.

Do not pressurize the cylinder if there are any surface abrasions or dents. Contact Air Arms for advice.

Do not store the rifle in places with, or near sources of high temperature such as fires or boilers.

Do not attempt to dismantle when pressurised.

Do not pressurize beyond the stated filling pressure (see filling instruction section). Damage caused by such action is not covered by the manufacturers warranty.

Only use clean, filtered and dry compressed air. Never use any other gas, particularly industrial or welding gases such as oxygen, carbon dioxide, acetylene, hydrogen, argon, etc.

If compressed air is being used other than from a diving shop, the inside of the cylinder should be inspected for corrosion at least annually. If in doubt contact Air Arms for advice.

In any event the cylinder should be inspected every two to three years depending upon usage. Air Arms can provide this service at a reasonable cost.

To maintain this rifle in good working order it should be serviced annually by a competent gunsmith, your supplier may be able to provide this service or contact air arms.

A reasonable amount of advice will be provided to enable the end user to service their own rifle, however this is at the discretion of Air Arms and may not be given in all cases.

The velocity of this rifle has been set using Air Arms field pellets. If any other make or type of pellet is to be used the rifle must be re-tested with the pellet that is to be used, to ensure the muzzle energy is within the limits determined by current legislation.

Due to the nature of hand pumps and their relative inefficiency in removing moisture from the compressed air, the chances of corrosion damage to the cylinder and other internal components are increased.

Therefore the rifle should be regularly serviced and/or checked for any signs of damage by a competent gunsmith.

Air Arms recommend using a dry pack filter kit on any hand pumps used to fill our air rifles.

This model is a high power version that requires the user to hold a firearms certificate.

If accessories not manufactured by Air Arms are used on this rifle, Air Arms can not be held responsible for any loss of performance.

Contact your supplier or Air Arms for any advice on this matter.

GENERAL MAINTENANCE AND LUBRICATION

MAINTENANCE

Fixings

Regularly check the tightness of all fixings. However do not be tempted to over tighten as some parts are made from aluminium and stripped threads may result. Stripped threads are not covered by the manufacturers warranty.

Barrel

For ultimate accuracy, clean and re-lube the barrel frequently. It is difficult to advise how often is best for every circumstance, but every 250 shots is not too often if the desire is to keep the barrel in the best possible condition.

The correct materials are very important. Air arms only use products made by napier. Listed below are the napier products and a more generally available alternative. If possible use napier for the best results.

CLEANER :	'NAPIER GUN CLEANER', ALTERNATIVELY WHITE SPIRIT.
OIL :	'NAPIER GUN OIL', ALTERNATIVELY '3 IN 1' OIL.
PULL-THROUGH PAD :	'NAPIER RIFLE CLEAN', ALTERNATIVELY SOFT COTTON CLOTH.
PULL-THROUGH LINE :	'NAPIER PULL THROUGH KIT', ALTERNATIVELY 20lb FISHING LINE.

As a rule cleaners and oils intended for shotguns and small/full bore weapons are not suitable.

1. Cut a piece of line three times the length of your barrel, fold in half and tie ends together. Remove silencer if fitted. Open loading bolt.
2. Feed un-knotted end down barrel from the muzzle end until folded end protrudes about 50mm.
3. Cut a 100mm length of 'rifle clean' or 100 x 50mm piece of cloth and pass it between the protruding loop. Spray the pad with 'gun cleaner' or white spirit, turn the rifle upside down and pull the line back through the barrel slowly.
4. Repeat steps 2&3 until the pad is clean.
5. Repeat steps 2&3 once more without any cleaner on the pad to dry the barrel.
6. Repeat steps 2&3 once more with the pad sprayed with 'gun oil' or 3 in 1 oil.

Important The reason for turning the rifle upside down is to prevent excess cleaner/oil from passing down the transfer port into the firing valve chamber.

Lubrication

Lubrication of the internal mechanism is not covered in this handbook. This is best performed by a competent gunsmith or the factory and in any case should not be required until the annual service. Apply a small dab of grease or oil, on the two pivot points shown in the diagram, and work -in by moving the bolt forwards and backwards. Wipe off excessive grease. Preferred grease is 'napier g95 gun grease'. On return from every shooting session, wipe all over the exterior with an oily rag to preserve the surface finish during storage.

A small drop of oil should be applied to the magazine O ring to keep it moist, and increase its life span.



OPERATING INSTRUCTIONS

Cocking

Hold securely in one hand and with the other pull the cocking lever out and to the rear. At the end of the stroke the magazine will index and present a new chamber, also the trigger mechanism will engage. This can be determined by the trigger blade 'kicking' forward at the end of the cocking stroke.

The effect required to cock the gun is quite low so minimal force should be used.

Note ! It is very important that the cocking lever is pulled back to the correct position. In one positive motion. The magazine indexes to the next pellet position as the bolt is retracted and it is possible for a partial index if the lever is not pulled back fully.

If you find the mechanism has not cocked completely but the magazine has indexed, Re-cock but before closing the bolt, remove the magazine and manually index it back to the empty chamber. Replace the magazine and fire as normal. If this procedure is not followed it is likely that you will load a second pellet into the barrel. Push the lever back to the forward position. The rifle is now cocked and loaded, treat with caution.



TRIGGER ADJUSTMENTS

The S500 & S510 models all have the same trigger mechanism. It is a two stage unit with adjustment to both stages plus a weight of pull adjustment. It is easy to upset the balance between the two stages and make the trigger inoperable if incorrectly adjusted.

If you have no experience of adjusting two stage triggers seek guidance or leave the trigger as set by the factory.

Note! Incorrectly adjusted trigger mechanisms are not covered by the manufacturers warranty. It is not possible to test this rifle with an incorrectly adjusted trigger, therefore all triggers leave the factory with correct adjustment.

WARNING! Please note that it is possible to stop the safety button working with incorrect trigger adjustment.

AN INCORRECTLY ADJUSTED TRIGGER CAN MAKE THE RIFLE UNSAFE TO HANDLE.

DESCRIPTION OF OPERATION

The S500 & S410 rifles have a true two stage trigger mechanism. This means that as the trigger is pulled the bottom sear gradually disengages with the top sear until the two disengage completely and the rifle goes off. If the pressure on the trigger is released at any point before full disengagement, the bottom sear will automatically return back to full engagement. This type of trigger allows very fine but safe operation because it is the release of the 2nd stage that actually makes the rifle fire. This arrangement is vastly superior to pseudo two stage triggers where the first stage is just a pivoting trigger blade that does not move sears. The down side is that they are more difficult to adjust correctly.

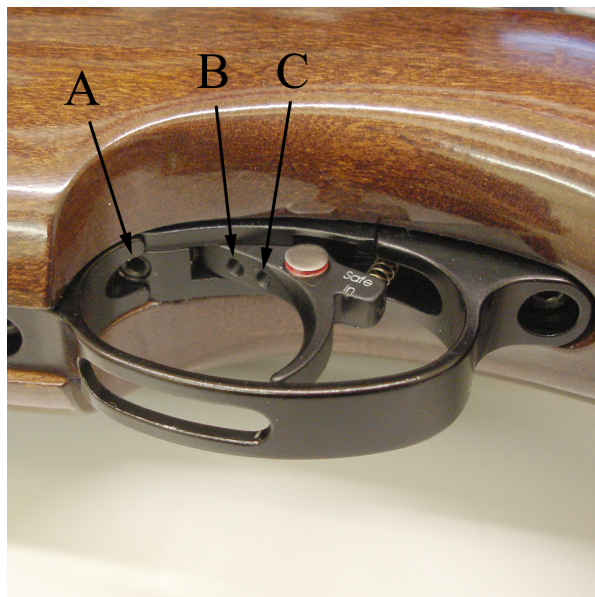
Adjustment

There are three adjuster screws, a-b-c.

The weight of pull adjuster (a) is located in the front of the trigger guard. Clockwise rotation increases pull weight. If adjusted too far the spring will become coil-bound and prevent trigger operation.

The second stage adjuster (b) is the rear screw located in the trigger blade. This screw determines the exact point that the 2nd stage starts. If the 1st stage screw is incorrectly adjusted this screw may not have any effect.

The first stage adjuster (c) is the front screw located in the trigger blade. This screw determines the length of travel before the 2nd stage starts. Clockwise adjustment reduces the first stage travel.

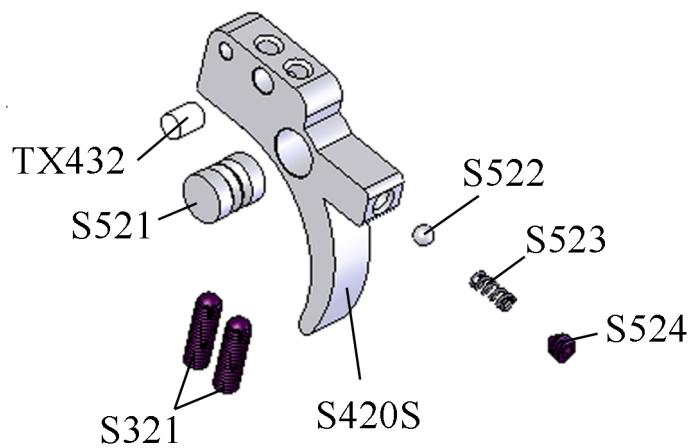


This rifle is fitted with a manual safety button located in the trigger blade.
To make the rifle safe the button must be pressed until it is flush with the side of the trigger blade.
Please note that it is possible to stop the safety button working with incorrect trigger adjustment.

With the button pressed in the rifle is safe.



With the button out the rifle is now ready to fire.



Power adjuster

The S510/500 extra is fitted with a power adjuster on the side of the rifle.

This can be used to adjust the power at any time by just turning anti clockwise to increase and clockwise to decrease the power. Adjusting the power between shots will not harm the rifle.



On the left hand side of the rifle is a indicator to help select your most common power settings + = High. - = Low. The marks do not indicate a particular power as this would change depending on the pellets used. The engraving maybe marked the other way round to the image below. This is normal and for manufacturing purposes.



FILLING INSTRUCTIONS

NOTE ! ONLY USE CLEAN, DRY AND FILTERED COMPRESSED AIR, PREFERABLY FROM A DIVING SHOP.

OVER PRESSURIZATION MAY DAMAGE THE CYLINDER BEYOND REPAIR.

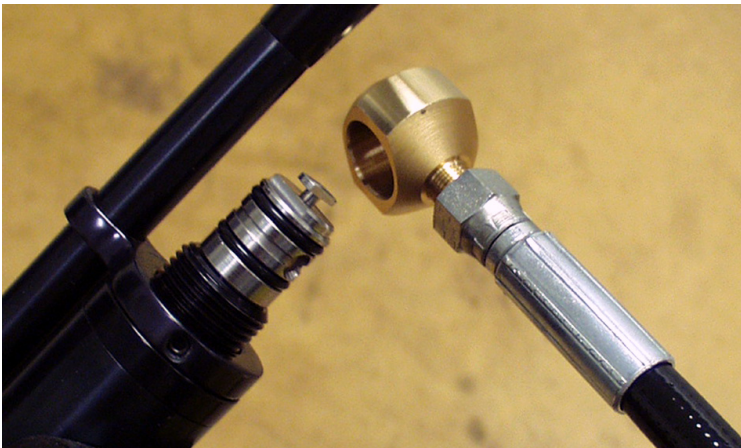
First the female part of the filling kit (this was supplied with the rifle) must be fitted to your filling equipment. The female part (S475) has a 1/8th BSP male thread that screws directly into the hose of your pump or bottle.

Next remove the dust cover from the end of your rifle.



This is achieved by unscrewing the cover in an anti-clockwise direction.

Once the connector is exposed the female part of the filling kit can be placed on the male and press all the way on making sure that the 'O' rings on the male part are covered.



It is a wise precaution to hold the female part of the connector, during the filling procedure, as shown in the pictures below. This will ensure the female adaptor is located completely over the male part and prevent any accidental dislodging of the connector before you start to refill the cylinder.

Using hand pumps

The procedure for using hand pumps is the same as for bottle. It is more important to turn the female on the gun to lock it in place.

When using the pump it must be remembered that the first few pumps are filling the hose and NOT the gun. When the pressure in the hose equalizes to that in the gun, the gun will start to fill.

It can take some effort to fill the gun using a pump and we recommend using the pump to top up instead of filling from empty.

With the female in place the gun can now be filled.

If the rifle is empty the mechanism will need to be cocked to allow the firing valve to close. If the rifle is not cocked when the bottle is opened or the pump used, the air will past the valve and exhaust through the barrel.

Check that the bleed valve on the filling equipment is closed (turn clockwise to close) then slowly open the main valve on bottle or start using the pump. The pressure in the hose will equalise and then the rifle will start to fill.

If you are filling your rifle from empty there may be some air exhausted through the barrel until the air pressure is sufficient to over come the firing valve spring (S306) this will happen at approximately 50 bar (750psi).

The filling pressure of the S500 is 200 bar (2900psi). Filling to a higher pressure will not increase either power or number of shots. Over filling will lower the power and may cause irreparable damage to the cylinder.

Once the filling pressure has been reached, close the valve on the bottle or stop pumping, open the bleed valve on the filling kit (to vent the hose, if you do not vent the hose you will not be able to remove the female from the rifle). Now the female connector can be removed from the rifle and end cap (S483) can be replaced over the male connector ensuring not to over-tighten.

The S500 range of rifles are fitted with a pressure indicator mounted on the underside of the rifle just in front of the stock screw. This provides the user with a visual check on the amount of air remaining in the cylinder this indicator should not be used during the filling process as the needle reaction speed has been slowed to prevent damage whilst filling. After filling the needle can take several seconds to synchronize with the air in the cylinder.

The picture below shows a guns with just over 150 bar of pressure. Although every gun is slightly different the recommended refill pressure for the S500 is between 100 and 110 bar.



NOTE: On the front end of the cylinder is an engraved warning reading....

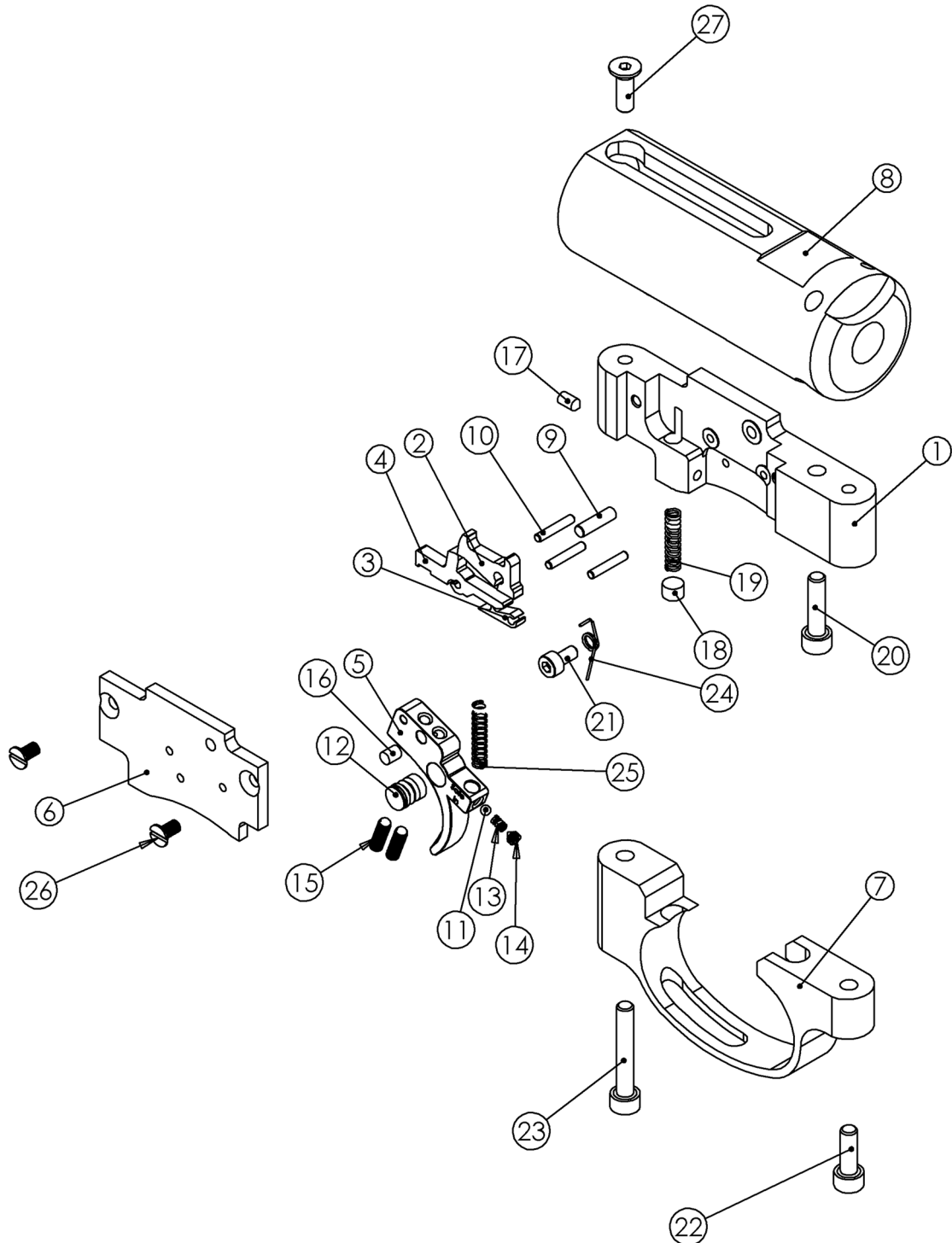
READ MANUAL. MFP 200bar. MSP 200bar. DOM **/**/** **. INSPECT ANNUALLY.

MFP = *Maximum Filling Pressure. The pressure is stated.*
MSP = *Maximum Safe Pressure. The pressure is stated.*
DOM = *Date of Manufacture. The date is stated.*

WARNING NOTE CONCERNING 300 BAR BOTTLES.

WITH THE ADVENT OF THE 300 BAR BOTTLE IT SHOULD BE NOTED THAT CARE HAS TO BE TAKEN WHEN FILLING YOUR RIFLE. THE FILLING PROCEDURE DESCRIBED IN THIS MANUAL MUST BE FOLLOWED TO AVOIDED DAMAGE TO THE RIFLE, PARTICULARLY THE SLOW OPENING OF THE VALVE ON THE BOTTLE. OPENING THE VALVE QUICKLY WILL ALLOW UP TO 300 BAR OF PRESSURE INTO THE CYLINDER AT ONCE, THIS COULD CAUSE SERIOUS PERSONAL INJURY OR IRREPARABLE DAMAGE TO THE CYLINDER.

ITEM NO.	PART NUMBER	DESCRIPTION	QTY.	ITEM NO.	PART NUMBER	DESCRIPTION	QTY.
1	S313	S400/410 TRIGGER CHASSIS	1	15	S421	M3x10 Socket Set Ball End	2
2	S320-2	TOP SEAR	1	16	TX432	ADJUSTER SCREW LOCKING PAD	1
3	S321-2	MIDDLE SEAR	1	17	RN191	M3 x 5 SKT SET CONE PT	1
4	S325-2	BOTTOM SEAR	1	18	TX381	M5 x 6 SKT SET CONE PT	1
5	S420S	TRIGGER BLADE	1	19	S319	WEIGHT OF PULL SPRING	1
6	S318	COVER PLATE	1	20	TX236	TRIGGER HSE FIXING SCREW - FRONT	1
7	S314	TRIGGER GUARD	1	21	S496	TRIGGER HSE FIXING SCREW - FRONT	1
8	S310-SL	STRIKER BODY - SIDE LEVER	1	22	TX460	TRIGGER HSE FIXING SCREW - FRONT	1
9	tx398	3x11.8 Roller	1	23	S316	TRIGGER HSE FIXING SCREW - FRONT	1
10	S326	2x11.8 ROLLER	3	24	S495	TOP SEAR SPRING	1
11	S523	3/32" BALL BEARING	1	25	S311	TRIGGER LOAD SPRING	1
12	S521	SAFETY BUTTON	1	26	RN106	M3X6 C/SUNK SLOTTED SCREW	2
13	S522	SAFETY BUTTON SPRING	1	27	S322	M4 x 12 CSK SKT	1
14	S524	M3x3 Socket Set Cone Point Screw	1				





PLEASE NOTE THE THE CARBINE AND CLASSIC MODELS ARE ONLY AVAILABLE IN .22 (5.5MM) CALIBRE. AND THE .25 (6.35mm) CALIBRE IS ONLY AVAILABLE IN THE EXTRA LENGTH FORMAT.
 PLEASE STATE YOUR RIFLE NUMBER IN ANY CORRESPONDENCE

ITEM NO.	PART NUMBER	DESCRIPTION	QTY.	ITEM NO.	PART NUMBER	DESCRIPTION	QTY.
1	S507E - SL	FIRING VALVE BODY (HP) - SIDE LEVER	1		S501 - SL	BOLT HSE BUSH .22 - SL	
2	RN234	BS213 O RING	2	39	S502 - SL	BOLT HSE BUSH .177 - SL	1
3	S340	STRIKER ROD	1		S504 - SL	BOLT HSE BUSH .25 - SL	
4	S370H	FIRING VALVE ASSEMBLY	1	40	S130	COCKING ARM PIVOT BLOCK	1
5	S306	FIRING VALVE SPRING	1	41	S322	SCREW	1
6	S360H	FAC POT ASSEMBLY	1	42	E125	COCKING ARM	1
7	RN191	SCREW	1	43	E144	PIN	1
8	S524	M3 x 4	1	44	S541-1	BEARING SHIM	1
9	S508	POWER ADJUSTER KNOB	1	45	S541-1	BEARING	1
10	S562	2.5x8 DOWEL PIN	1	46	S542	SIDE LEVER BUSH - FAC	1
11	S519	POWER ADJ O RING	2	47	S264	COCKING LINK	1
12	S517	PIN	1	48	E127	3x11.8 Roller	1
13	S523	SAFETY BUTTON SPRING	1	49	S355H-SL	M4x16 TURNED HEAD	1
14	S640AT	GAUGE MOUNT ANTI-TAMPER	1	50	S520E	STRIKER	1
15	S427	6x1 O RING	1	51	S520-1	BUSH	2
16	S536	BS008	1	52	S356H	STRIKER SCREW	1
17	JT416	SCREW	1	53	S331H	MAIN SPRING	1
18	RN193	SCREW	2	54	S530H	REAR GUIDE	1
19	RN219-9	BS 011 O RING	1		S403A	BARREL .22	
20	S645	INDICATOR GAUGE	1		S403B	BARREL .177 EXTRA ONLY	1
21	S335L	EXTRA LONG CYLINDER	1	55	S403F	CARBINE BARREL	
	S335	CLASSIC CYLINDER	1		S401J	BARREL .25	
	RN235	CARBINE CYLINDER			S536	BAREEL SEAL .177	
22	S491	FILLING VALVE BODY	1	56	S538	BARREL SEAL .22	1
23	S474	MALE CONNECTOR O RING	2		FP120	BARREL SEAL .25	
24	S472	MALE CONNECTOR	1	57	S600-3	BARREL TUBE SUPPORT	1
25	S484	12x1.5 O RING 70 SHURE	1	58	S600-4	BARREL SUPPORT O RING	2
26	S473	FILLING VALVE	1		S600H-SL	BARREL TUBE - EXTRA SL	
27	S327	FILLING VALVE O RING	1	59	S600HC-SL	BARREL TUBE - CARBINE SL	1
28	S319	WEIGHT OF PULL SPRING	1		S600HM-SL	BARREL TUBE - CLASSIC SL	
29	S471	SINTERED FILTER	1	60	PS224G	BAFFLE (GREY)	5
30	S380H-SL	FRONT CLAMP - FAC SL	1	61	S133	SHROUD INSERT	1
31	S484H	BARREL SUPPORT O RING - FAC	1	62	TRIGGER ASSEMBLY - MK 1		1
32	TX228	SCREW	2	63	S550	SIDE PLATE	1
33	RN113	SCREW	2	64	S560	CAM PLATE	1
34	KS483	END CAP	1	65	S515A	INDEXING POST	1
35	S610H	SEAL	1	66	S565	SCREW	3
36	S500H-SL	HIGH POWER BOLT HSE - SIDE LEVER	1	67	RN135	SCREW	1
37	S540A-SL	.177 LOADING BOLT STEM - SIDE LEVER	1	68	RN102A	SCREW	5
	S540B - SL	.22 LOADING BOLT STEM - SIDE LEVER	1	69	TX236	SCREW	1
	S540C - SL	.25 LOADING BOLT STEM - SIDE LEVER	1	70	S505	SPRING	1
38	S140	LOADING BOLT DETENT BUFFER .22 & .25	1	71	TX234	BISEL PIN	1
	S142	LOADING BOLT DETENT BUFFER .177			S555A	MAGAZINE .177	
				72	S555B	MAGAZINE .22	1
					S555C	MAGAZINE .25	
				73	FP134	THREAD PROTECTOR	1

SAFETY

You and others with you should always wear shooting glasses to protect your eyes.

Always aim your air rifle in a SAFE DIRECTION. When you are sure of your target and backstop and the area around the target is clear, take the air rifle OFF SAFE and squeeze the trigger to fire.

Do not shoot at hard surfaces or at the surface of water. The pellet may bounce off or ricochet and hit someone or something you had not intended to hit.

Always choose your target carefully. It is best to shoot at paper bullseye targets attached to a safe backstop. Your backstop should be checked for wear before and after each use. Replace your backstop if the surface is worn or damaged or if a ricochet occurs.

Your rifle is suited for indoor and outdoor use. Always remember to place your target carefully. THINK about what you will hit if you miss the target.

Do not attempt to disassemble or tamper with your air rifle. Contact Air Venturi at 216-292-2570 for repair.

Do not put the air rifle away while it is loaded or cocked.

REPAIR SERVICE

**If your rifle needs to be repaired,
contact Air Venturi at 216-292-2570.**

WARRANTY

Limited One-Year Warranty

This product is warranted to the retail consumer for one year from date of retail purchase against defects in material and workmanship and is transferable.

What is covered:

Replacement parts and labor. Transportation charges to consumer for repaired product.

What is NOT covered:

Transportation charges to Air Venturi for defective products. Damages caused by abuse or failure to perform normal maintenance. Any other expense. CONSEQUENTIAL DAMAGES, INCIDENTAL DAMAGES OR INCIDENTAL EXPENSES INCLUDING DAMAGE TO PROPERTY. SOME STATES DO NOT ALLOW THE EXCLUSION OR LIMITATION OF INCIDENTAL OR CONSEQUENTIAL DAMAGES, SO THE ABOVE LIMITATION OR EXCLUSION MAY NOT APPLY TO YOU.

Warranty claims:

Warranty claims for U.S. and Canadian Customers:

Please return product to Air Venturi. Call Air Venturi at 216-292-2570 before returning any product.

Implied warranties:

ANY IMPLIED WARRANTIES, INCLUDING THE IMPLIED WARRANTIES OF MERCHANTABILITY AND FITNESS FOR A PARTICULAR PURPOSE, ARE LIMITED IN DURATION TO ONE YEAR FROM DATE OF RETAIL PURCHASE. SOME STATES DO NOT ALLOW LIMITATIONS ON HOW LONG AN IMPLIED WARRANTY LASTS, SO THE ABOVE LIMITATION MAY NOT APPLY TO YOU.

To the extent any provision of this warranty is prohibited by federal, state or municipal law which cannot be preempted, it shall not be applicable. This warranty gives you specific legal rights, and you may also have other rights which vary from state to state and country to country.

Air Venturi

AirVenturi.com • 216-292-2570



WARNING!

DO NOT TRY TO DISASSEMBLE THE GUN. Your rifle needs special tools and Air Arms parts in order to be repaired. If you disassemble it, you may not be able to properly reassemble it. Air Arms does not assume any warranty liability under such circumstances.