

Made in Germany



Cal. 9 mm P.A.K. (Blank Firing)  
**OPERATING INSTRUCTIONS**



**⚠ WARNING:** FAILURE TO FOLLOW BASIC GUN SAFETY AND THE OPERATING INSTRUCTIONS FOR YOUR PISTOL MAY CAUSE SERIOUS PERSONAL INJURY OR DEATH. DESIGNED FOR EXPERIENCED SHOOTERS. RECOMMENDED FOR ADULT USE ONLY.

**Important instructions for the use of blank firing guns.**

It should be remembered that even the safest gun is potentially dangerous to you and others when it is not properly handled. Read and understand the operating instructions and learn how the gun works and is to be handled. Always treat any gun as if it were loaded.

**⚠ WARNING:** KEEP YOUR FINGER AWAY FROM THE TRIGGER UNLESS YOU INTEND TO FIRE. ALWAYS KEEP YOUR GUN POINTED IN A SAFE DIRECTION SO THAT YOU AND OTHERS CANNOT BE ENDANGERED.

A gun can only be safe as long as it is in flawless operating condition. Incorrect handling and lack of maintenance may lead to malfunctions and reduced safety of the gun. Always be aware of possible risks from dropping your pistol or from corrosion or other external influences. In such cases, have your gun inspected by a competent gunsmith before using it again. Unauthorized modifications to the mechanism, damage caused by the application of force, or modifications performed by third parties will result in the manufacturer not assuming any liability. Only an Umarex USA gunsmith is qualified to work on this blank firing gun. Contact Umarex USA for repairs.

Table of contents	Page
Components	1
General	2
Inspections	3 - 4
Loading the pistol	4
Insertion of the first cartridge	4
Firing	5
Decocking the hammer	5
Pistol with empty magazine	5
Unloading the pistol	6
Firing of blank cartridges	6
Disassembly and reassembly of the pistol	7
Cleaning and maintenance	7
Storage	8
Repairs	8
Warranty	8-9
Important instructions	9-10
Technical data	11
Contact	11

**CAUTION:** Prior to transporting blank firing guns, please keep yourself informed about the legal regulations in your state and local areas.

**CAUTION:** Always inspect the chamber of your pistol after the magazine has been removed from the gun. Make sure that no cartridge is left in the chamber.

## INSPECTION BEFORE USE

**CAUTION:** Make sure that the pistol is unloaded (chamber cleared of any obstructions, magazine empty) before inspection.

### Functional inspection

1. Check to make sure the chamber and magazine are empty. Remove the magazine, retract the slide. After the slide has been released, the recoil spring will return the slide fully forward into battery.
2. Insert the empty magazine, retract the slide. The slide should be locked back in its rearmost position by the slide stop.
3. Remove the magazine, pull the slide back slightly, and release the slide. After the slide has been released, the recoil spring should return the slide fully forward into battery.
4. Insert the empty magazine, fully retract the slide. The slide must be retained in its rearmost position by the slide stop.
5. Press the slide stop down. The recoil spring should return the slide fully forward into battery. Decock the hammer by pressing the decocker.

## INSPECTION AFTER USE

**CAUTION:** Make sure that the pistol is unloaded (chamber must be clear) after use and make certain that the magazine is empty. Point the muzzle in a SAFE DIRECTION and decock the hammer by pressing the decocker.

3

**CAUTION:** This pistol utilizes blank cartridges which conform with SAAMI standards or CIP standards respectively. Please note the chamber is ONLY designed to accept blank cartridges. It not designed to accept any fixed ammunition cartridge or live cartridge. Before using this pistol please carefully read the "Operating Instructions" and the "Safety Precautions". Only when you are certain you have fully familiarized yourself with the function of your gun should you practice loading, unloading and firing.

### LOADING THE PISTOL

Draw back the slide and look into the chamber to make sure the pistol is not loaded. Press magazine release and remove the empty magazine (fig. 1). Verify the caliber before loading the magazine to insure it corresponds to the caliber of the pistol. Insert a cartridge into the magazine lips (fig. 2). Do not use force. Damaged magazine lips will cause malfunctions and will render the gun useless. Tap the back of the loaded magazine against the palm of your hand. Properly positioned cartridges inside the magazine improves functional performance. Push the loaded magazine into the magazine well until the magazine catch locks it in place. To empty a magazine, remove the cartridges one after the other by pushing toward the front of the magazine.

### LOADING THE CHAMBER WITH THE FIRST CARTRIDGE

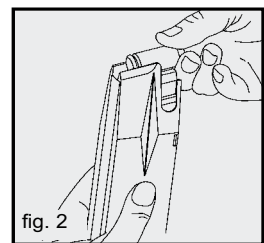
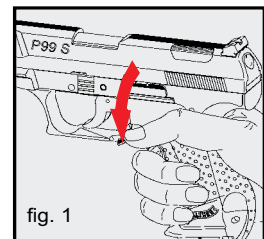
Pick up the gun with your shooting hand, hold it at a downward angle of approx. 45 degrees and point the muzzle in a SAFE DIRECTION. Use your other hand to retract and release the slide. As the slide travels forward it inserts the first round into the chamber. The hammer is now cocked. Keep your trigger finger away from trigger and always point the muzzle in a SAFE DIRECTION until you intend to fire.

**CAUTION:** The pistol is ready to fire. Per safety instructions leave your trigger finger off the trigger until it is pointed in a SAFE DIRECTION and you intend to shoot.

**WARNING:** NEVER USE CARTRIDGES NOT SPECIFICALLY DESIGNATED FOR USE IN YOUR BLANK FIRING GUN. FAILURE TO USE THE CORRECT TYPE OR CALIBER OF CARTRIDGE MAY CAUSE THE GUN TO JAM, FAIL TO FIRE OR EVEN GENERATE EXCESSIVE PRESSURE WHICH CAN DAMAGE OR EVEN RUPTURE YOUR GUN, CAUSING PERSONAL INJURY, DEATH OR PROPERTY DAMAGE.

If you do not fire your gun immediately after loading it, point the muzzle in a SAFE DIRECTION, clear the chamber by removing the magazine and retracting the slide. The round in the chamber is extracted and ejected. Look into the chamber to check for a live round. Decock the hammer by pressing the decocker.

4



**! WARNING:** WEAR EYE AND EAR PROTECTORS SPECIFIED FOR FIREARM USE EVERY TIME YOU DISCHARGE YOUR BLANK FIRING GUN. MAKE SURE OTHERS IN THE VICINITY OF WHERE YOU WILL BE SHOOTING DO SO AS WELL. FAILURE TO FOLLOW THIS WARNING WILL CAUSE SERIOUS PERSONAL INJURY.

## FIRING

You may fire this pistol in two different ways: double action or single action. To fire "double action" the gun is loaded but the hammer is not cocked. To fire "single action" means that the hammer is cocked before firing. The action of the slide then automatically reloads the pistol and cocks the hammer.

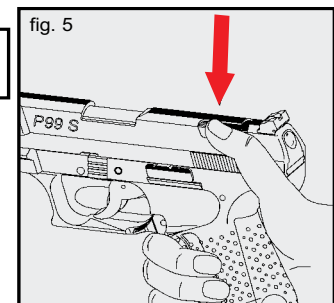


**! WARNING:** POWDER GAS WILL ESCAPE FROM THE PISTOL NEAR THE CHAMBER! WHEN FIRING THE PISTOL ALWAYS HOLD THE GUN HORIZONTALLY WITH ARM OUTSTRETCHED TO AVOID BEING INJURED BY ESCAPING HOT POWDER AND GAS (SEE FIGURES 3 AND 4).

## DECOCKING THE HAMMER

To release the cocked hammer press the center of the decocker as illustrated (fig. 5). If the hammer is in the uncocked position, the decocker can no longer be actuated.

**! CAUTION:** Keep the pistol pointing in a SAFE DIRECTION and make sure that the chamber is clear when decocking it to prevent injury.



## PISTOL WITH EMPTY MAGAZINE

After the last round has been fired, the slide catch holds the slide in the open position. If you intend to continue shooting, replace the empty magazine with a full one. Press the slide stop (fig. 6), the slide will travel forward and load the chamber with the first round. Try to refrain from slowing down the slide with your thumb when releasing the slide stop. You may find it more effective to drop the slide by pulling back the slide and releasing it. This will ensure a reliable closing of the slide. Keep your gun in your shooting hand and pointed in a SAFE DIRECTION so that there is no danger to yourself or other persons.

**! CAUTION:** The pistol is ready to fire. Per safety instructions leave your trigger finger off the trigger until it is pointed in a SAFE DIRECTION and you intend to shoot.

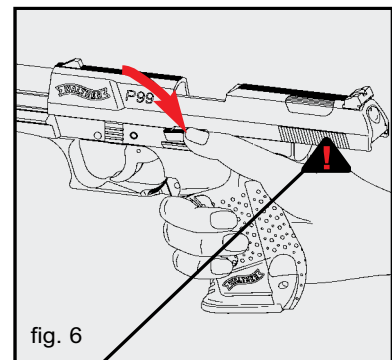
If shooting is not to continue, remove the magazine, and inspect the chamber, it must be clear. To insure it is clear, close the slide and decock the hammer by pressing the decocker.

## UNLOADING THE PISTOL

Point the muzzle in a SAFE DIRECTION. Remove the magazine and retract the slide. The round in the chamber is extracted and ejected. Look into the chamber to be sure the pistol is unloaded.

**! CAUTION:** Make a visual inspection of the chamber - it must be clear!

Point the muzzle in a SAFE DIRECTION and allow the slide to travel forward. Decock the hammer by pressing the decocker.



**! CAUTION: PINCH POINT**  
Avoid contact with moving parts.

## FIRING OF BLANK CARTRIDGES

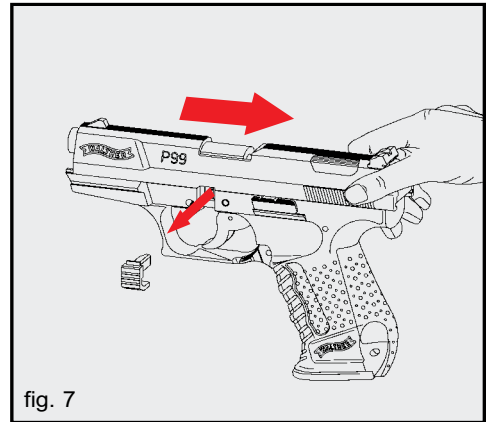
**! CAUTION:** The gun is ready to fire. Always hold the gun in a SAFE DIRECTION and in a way that you and other persons are not endangered. We recommend the use of personal protective equipment consisting of ear protection and protective shooting glasses. After each round fired, the pistol automatically reloads a new cartridge. This action will be repeated until the magazine is empty. After the last cartridge is fired, the slide automatically remains in its rearmost position. If firing is to be continued, the empty magazine is to be exchanged for a full one. Slight pressure of the thumb on the slide stop will release the slide which travels in its forward position, taking a new cartridge with it and chamber it. The gun is again ready to fire.

## DISASSEMBLY AND REASSEMBLY OF THE PISTOL

It is not necessary to strip the pistol any further than as is described in this manual. Further disassembly, improper assembly, or disregard of these instructions will lead to loss of warranty, and under no circumstances will the manufacturer then be liable for damages to persons or property.

**! CAUTION:** Prior to disassembly, remove the magazine and inspect the gun, look into the chamber to make sure it is unloaded.

To disassemble, pull the slide back until the recess on the lower edge of the slide is above the takedown release (fig. 7), now the guard can be removed. Then pull the slide back as far as it will go, lift it up and allow it to slide forward. Proceed in reverse order to assemble.



## CLEANING AND MAINTENANCE

In order to keep the gun functional and to extend its service life, the Walther P99 S should be cleaned and maintained at regular intervals.

**! CAUTION:** Before any maintenance, remove the magazine, open the slide, and inspect the chamber to make sure it is empty.

To clean, use a cotton swab to clear bore, chambers, gas vent, and exposed areas of any debris. After cleaning the entire gun, use a cloth to apply a light film of high quality gun oil to all external metal surfaces and wipe clean. Remember, a lot of oil is not better. All excess oil should be wiped from the bore, chambers, and exposed areas using a clean swab. Always follow the instructions provided with your gun lubricant.

Disassemble the gun as instructed in this manual.; Remove fouling from breech, magazine lips, follower, and receiver with a brush and a cloth. Clean the chamber with an oil-soaked brush and then dry it with cleaning patches. Repeat until chamber is clean. Apply a thin coat of high quality gun oil to all metal parts. Reassemble gun and check for proper function.

7

## STORAGE

**! CAUTION:** Never store a loaded pistol and never leave a loaded pistol unattended!

Always keep and store your pistol in an unloaded condition. Keep this pistol and ammunition away from children and unauthorized persons. Guns should be stored separately from ammunition. Check to make sure the gun is unloaded when removing from storage or getting from another person.

## REPAIR OF UMAREX-PISTOLS

**! CAUTION:** A gun which fails to function properly is dangerous. It should be safely stored in a way that prevents its use before it is repaired. It is difficult to repair a gun, and improper assembly can lead to dangerous malfunctions or serious injury. Contact Umarex USA service department for repairs. Phone: 479-646-4210.

## ONE YEAR LIMITED WARRANTY

This product is warranted to the retail consumer for one (1) year from date of purchase against defects in material and workmanship and is not transferable.

**WHAT IS COVERED**—Replacement parts and labor.

**WHAT IS NOT COVERED**—Shipping charges to Umarex USA for defective product and damages caused by abuse or failure to perform normal maintenance as well as any other expense. Consequential damages, or incidental expenses, including damage to property. Some states do not allow the exclusion or limitation of incidental or consequential damages, so the above limitation or exclusion may not apply to you.

**WARRANTY CLAIMS**—Warranty Claims and Repair for U.S. and Canadian customers only. Call Umarex USA (479)-646-4210 and ask for the Service Department. If it is determined a return is necessary, you will be issued a Return Authorization Number. Write this number boldly on the box and return the product prepaid to Umarex USA. Your name, address, phone number and a note explaining the defect found must be included in the package. **A copy of the original purchase receipt must accompany the return.** Include a check made to Umarex USA in the amount of \$14.95 to cover shipping and handling. **NEVER SHIP A LOADED GUN. NEVER SHIP A GUN WITH AMMO. BE SURE TO INCLUDE UNLOADED MAGAZINE.**

8

**IMPLIED WARRANTIES**—Any implied warranties, including the implied warranties of merchantability and fitness for a particular purpose, are limited in duration to one (1) year from date of retail purchase. SOME STATES DO NOT ALLOW LIMITATIONS ON HOW LONG AN IMPLIED WARRANTY LASTS, SO THE ABOVE LIMITATIONS MAY NOT APPLY TO YOU. TO THE EXTENT ANY PROVISION OF THIS WARRANTY IS PROHIBITED BY FEDERAL, STATE, OR MUNICIPAL LAW WHICH CANNOT BE PREEMPTED, IT SHALL NOT BE APPLICABLE. THIS WARRANTY GIVES YOU SPECIFIC LEGAL RIGHTS, AND YOU MAY ALSO HAVE OTHER RIGHTS WHICH VARY FROM STATE TO STATE AND COUNTRY TO COUNTRY.

**TO VALIDATE THIS WARRANTY**—Send in the registration card within 30 days to:  
Umarex USA, 6007 South 29th Street, Fort Smith, Arkansas 72908 or **Register online at [www.UmarexUSA.com](http://www.UmarexUSA.com)**.

**! IMPORTANT:** When transporting any gun, make sure that it is unloaded.

**! WARNING:** DO NOT BRANDISH OR DISPLAY THIS PRODUCT IN PUBLIC – IT MAY CONFUSE PEOPLE AND MAY BE A CRIME. POLICE AND OTHERS MAY THINK IT IS A FIREARM. DO NOT CHANGE THE COLORATION AND MARKINGS TO MAKE IT LOOK MORE LIKE A FIREARM. THAT IS DANGEROUS AND MAY BE A CRIME.

**! CAUTION:** The components of your blank firing gun were engineered and manufactured to deliver optimum performance. Any modification or tampering with your gun may cause a malfunction, will void your warranty, and may make it unsafe to use. Any change in performance (such as a lowered trigger pull force and shortened trigger travel), indicates possible modification, tampering, and/or wear. Such gun should be inspected, replaced, or properly repaired by only qualified Umarex USA personnel. Any gun that has been dropped should be checked by qualified personnel to ensure that its function has not been affected.

9

### **CAUTION: Important instructions for the handling and use of blank firing guns!**

- Safe gun handling is YOUR personal responsibility at all times. Safety must be the prime consideration of anyone who owns or handles any gun.
- Pistols without a safety should always be carried with the chamber clear and magazine removed.
- Before putting down the pistol always make sure that it is not loaded. Remove the magazine and verify that no cartridges are in the chamber.
- Guns and ammunition are to be stored separately from each other in order to keep them away from unauthorized persons or children.
- Always check to make certain a gun is unloaded when getting from storage or another person.
- Always bear in mind that even the safest gun may be dangerous for you and others if improperly handled.
- Never place your finger inside the trigger guard unless you intend to fire.
- Always hold your gun in a way that neither you or other persons are endangered, because at distances of less than 5 m, even a blank firing gun can cause serious injuries or even death.
- Keep the pistol away from heat sources and flames.
- Utilize only blank cartridges.
- The gun must only be fired horizontally into the air, with the arm stretched out.
- Pay attention to the ejection of the cartridge on the right side of the pistol. Make certain that you are a safe distance from any person or object to avoid possible injury by an ejected cartridge.
- After every use, we strongly recommend to disassemble, clean and lubricate the pistol, and keep it in a safe, secure and dry place. To clean the gun brush the chamber with the enclosed brush. Then dry and oil it. It is advisable to lubricate with oil, before using the pistol after an extended period of inactivity.
- Always wear ear protection and protective shooting glasses when shooting.
- In the event of a misfire, remove the magazine and remove the cartridge in the chamber by pulling the slide to the rear.
- Do not utilize unexploded cartridges.
- Prior to transporting blank firing guns, please keep yourself informed about the legal regulations in your state and local areas.
- Umarex and Umarex USA decline any and all responsibilities for improper use of this blank firing pistol. For details, refer to the appropriate legal instructions.
- In case of tampering with the pistol, Umarex and Umarex USA decline any Civil and Penal responsibilities and will not indemnify any damage.
- The user is liable for any damage caused to oneself and to third persons.

10

# **P99 S**

<b>Technical data</b>	
caliber	9 mm P.A.K.
trigger	Double Action / Single Action
magazine capacity	15 rounds
dimensions (length/height/width)	7 length / 5-1/4 height / 1-1/2 (inches) / 178 / 133 / 38 mm
weight (without magazine)	23 ounce / 430 g

**UMAREXUSA<sup>®</sup>**

**Umarex USA Inc.**

**6007 South 29<sup>th</sup> Street**

**Fort Smith, AR 72908 USA**

**Phone: (479) 646-4210**

**Fax: (479) 646-4206**

**[www.umarexusa.com](http://www.umarexusa.com)**

09R07