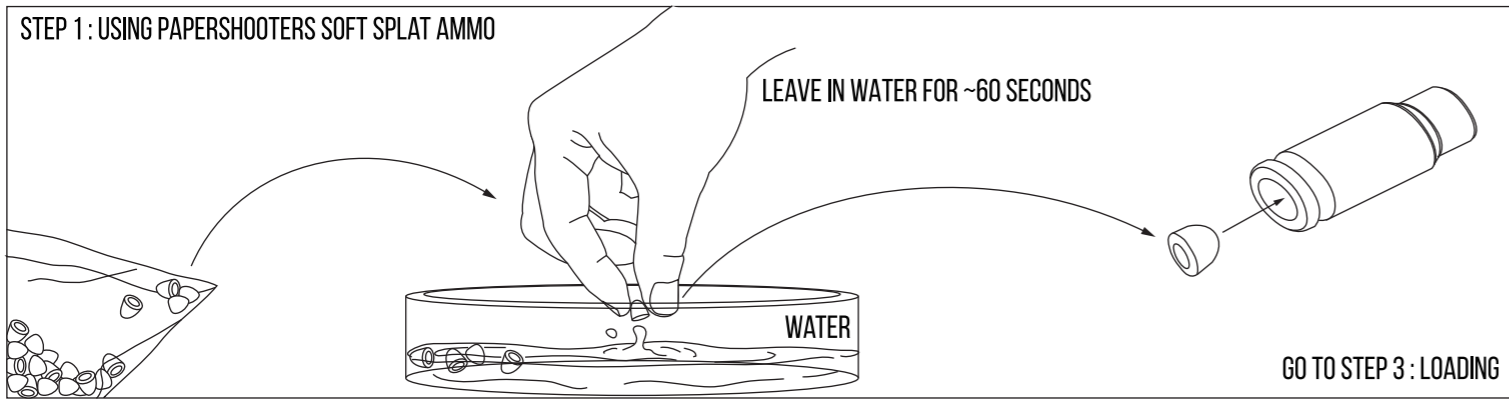
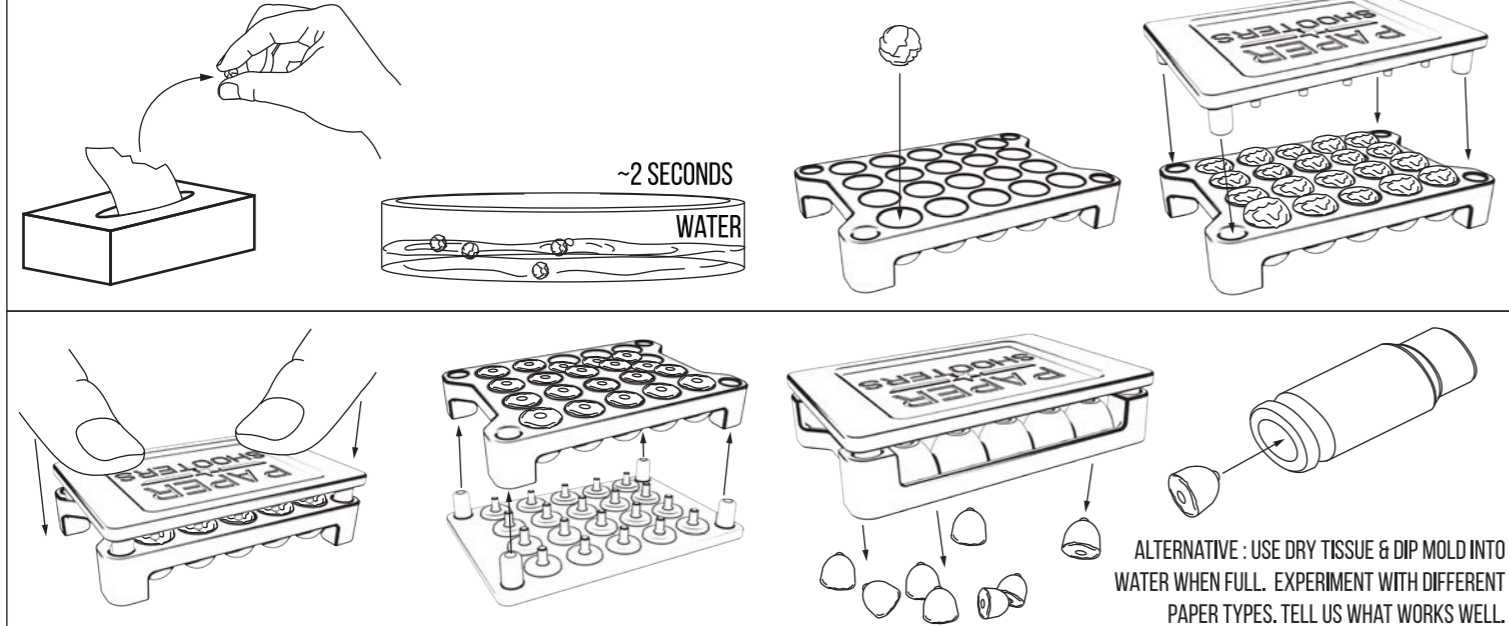


MAKING AMMO

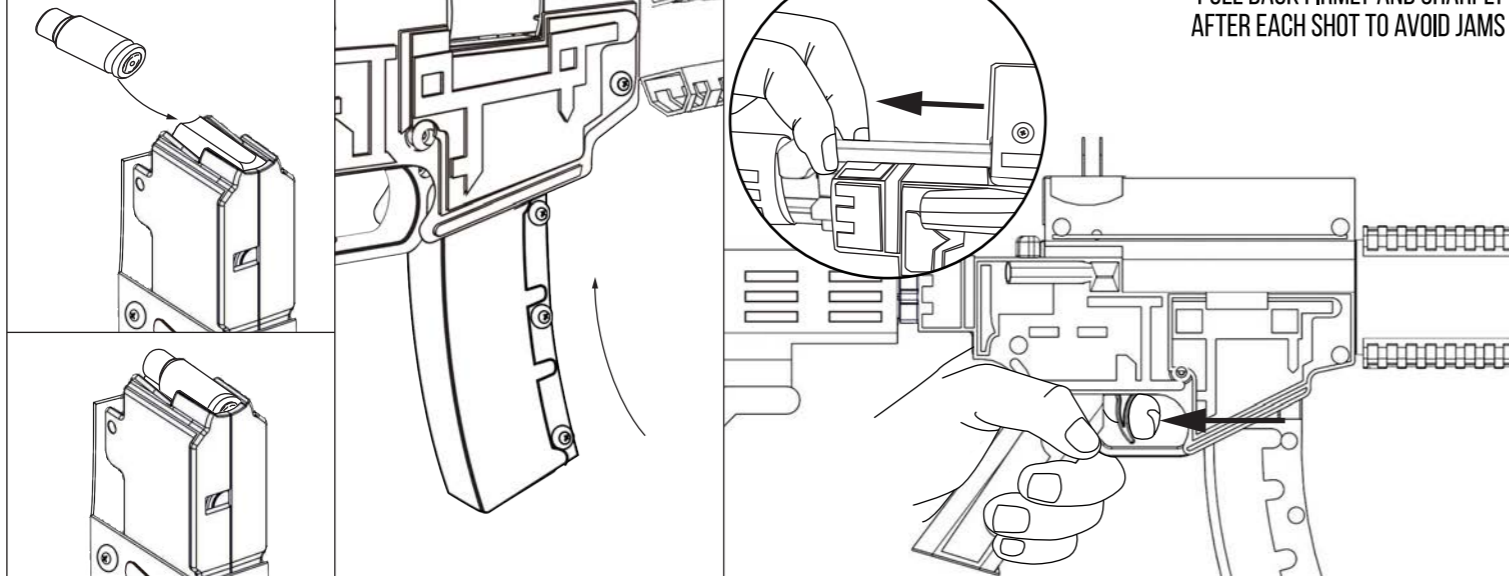
STEP 1: USING PAPERSHOOTERS SOFT SPLAT AMMO



STEP 2: MAKING YOUR OWN SOFT SPLAT AMMO

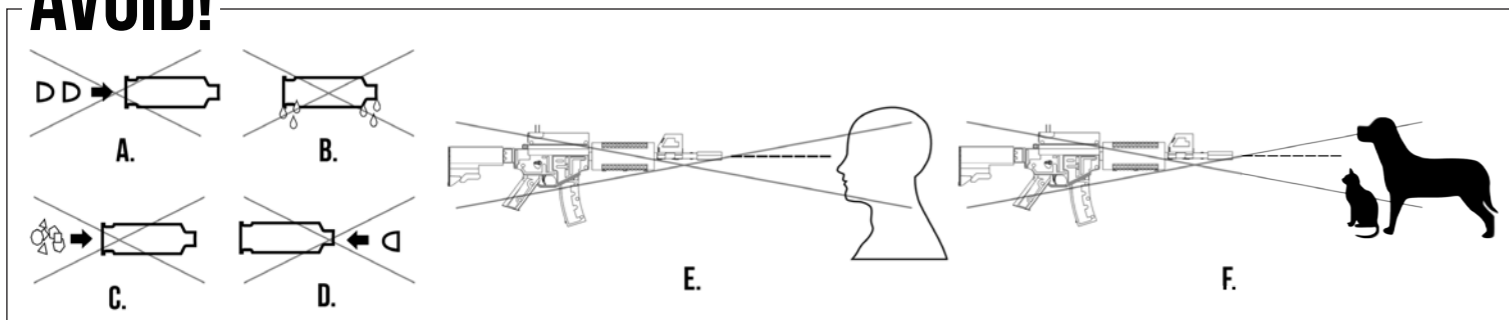


STEP 3: LOADING



AVOID!

CAUTION: WEAR EYE PROTECTION WHENEVER USING PAPER SHOOTERS OR IN THE VICINITY OF SOMEBODY USING PAPER SHOOTERS



STEP 1 SKELETON



- For Step 1 you'll need:
 - 1 Small Phillips / Cross head screwdriver
 - 1 Medium Phillips / Cross head screwdriver
- Around 60 minutes

Remark: ★ View from other side

We try to ensure all pieces are present and in tact. If you find anything missing or damaged contact hello@papershooters.com and we will replace immediately.

Check out our YouTube playlist (bit.ly/buildurPS) for help constructing your PaperShooters Kit.

1 Firing Mechanism

2 Trigger

(Ø7mm Only One In Bag)

3 Magazine Release

4 Safety And Mag Hook

"CLICK"

5 Attach Trigger

6 Add Firing Mechanism

Once Attached, Keep Finger On Air Chamber

7 Stock And Barrel Holder

Keep Finger On Air Chamber

8 Close Corner Screws For Testing

9 Magazine

10 Test Magazine

PRESS TO RELEASE

11 Barrel

FOR LEGAL AND SAFETY REASONS NEVER REMOVE ORANGE TIPS
DO NOT ASSEMBLE BARREL UNTIL PAPER PARTS COMPLETE

12 Test

- ✓ ADD SHELLS TO MAGAZINE
- ✓ INSERT MAGAZINE
- ✓ PULL BACK FIRMLY & FULLY TO COCK
- ✓ FIRE (NO AMMO)
- ✓ COCK TO EJECT SHELL
- ✓ SAFETY ON, NO FIRE
- ✓ REMOVE MAGAZINE

✓ SUCCESS: PROCEED TO NEXT STEP
 ✗ FAILURE: OPEN BODY AND CHECK

13 Add All Screws

DO NOT OVER TIGHTEN. WILL HINDER MAG ENTRY AND REMOVAL.

COMPLETE

PROCEED TO STEP 2

