



UTM  
UNIVERSAL TACTICAL MODEL 4  
© 2008 UTM  
UNIVERSAL TACTICAL MODEL 4

# MODEL 4

USER MANUAL



# MODEL 4

A D V A N C E D

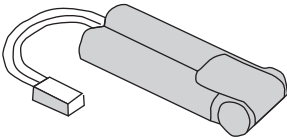
## COMBAT/TACTICAL COMMANDO/CQB-OPS SERIES

BUILT IN THE U. S. A.

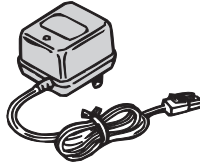
# I N D E X

ACCESSORIES	1
PRODUCT WARNINGS	2-3
COMPONENT CHARTS	4-5
SAFETY/FIRE SELECTOR	6
BATTERY OPERATION AND CARE	7
BATTERY INSTALLATION	8-9
BB PELLETS LOADING AND MAGAZINE INSTALLATION	10
FIRING	11
FRONT/REAR SIGHT ADJUSTMENT	12-13
VARIABLE HOP UP SYSTEM	14-15
RETRACTABLE STOCK & FOREGRIP OPERATION	16
FOLDABLE STOCK & FOLDABLE FOREGRIP OPERATION	17
MAINTENANCE & OPERATION TIPS	18-20
TROUBLE SHOOTING	21
EXPLOSION DIAGRAM - COMMANDO SERIES	22-23
EXPLOSION DIAGRAM - CQB-OPS SERIES	24-25
EXPLOSION DIAGRAM - TACTICAL SERIES	25-26
REPAIR SERVICE AND WARRANTY	27

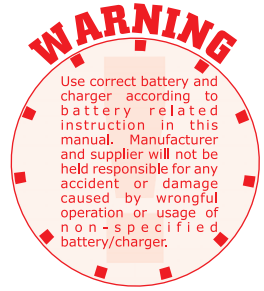
### Included Accessories



Battery (Varies Per Model)  
1100 MAH (M4-41)  
1500 MAH (M4-42)  
1800 MAH (M4-42-18)



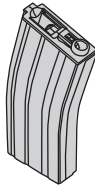
Battery Charger  
(M4-43)



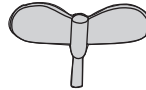
Cleaning Rod  
(M4-48)



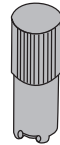
Allen Wrench  
(M4-49)



M4 High Cap  
Metal Magazine  
(M4-33)



Wind-Up Key  
(M4-33-KEY)



Front Sight Tool  
(M4-44)

### Strongly Recommended Optional Accessories

For more details, please visit  
[www.leapers.com](http://www.leapers.com)

UTG LASER  
SCP-LS168

UTG SCOPE  
SCP-RD30RGWL

UTG RISER  
MNT-995



UTG FLASHLIGHT  
LT-TL101

UTG BIPOD  
TL-BP69ST

UTG 32" GUN CASE  
PVC-MC32B

6mm .2g BB's  
SOFT-PP20B3

UTG 38" GUN CASE  
PVC-MC38B

**WARNING: NOT A TOY. FOR AGES 18 YEARS AND UP. MISUSE OR UNSAFE USE MAY CAUSE SEVERE INJURIES. EYE PROTECTION REQUIRED. THE PURCHASER AND THE USER SHOULD READ AND UNDERSTAND ALL INSTRUCTIONS BEFORE USING THE GUN AND SHOULD OBEY ALL LAWS CONCERNING THE USE AND OWNERSHIP OF AIRSOFT GUN. DO NOT BRANDISH OR DISPLAY THIS PRODUCT IN PUBLIC - IT MAY CONFUSE PEOPLE AND MAY BE A CRIME. POLICE AND OTHERS MAY THINK IT IS A FIREARM. DO NOT CHANGE THE COLORATION AND MARKINGS TO MAKE IT LOOK MORE LIKE A FIREARM. THIS IS DANGEROUS AND MAY BE A CRIME.**

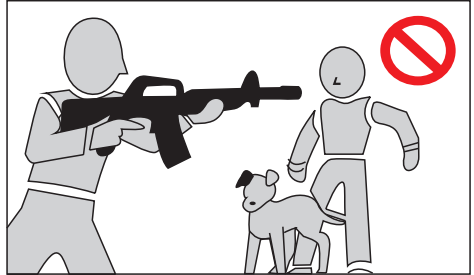
Please pay attention: carelessness while shooting could cause injury.

 **ATTENTION** MAKE SURE TO WEAR PROTECTION GLASSES TO PROTECT YOUR EYES.



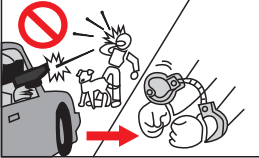
Make sure to wear protective glasses while shooting. Also be careful of BBs ricocheting off of hard objects. (Pay attention also to third party bystanders.)

 **ATTENTION** DON'T AIM YOUR AIRSOFT GUN AT PEOPLE OR ANIMALS.



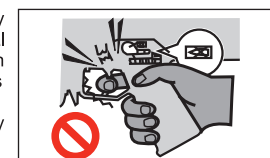
Never aim or shoot a person or animal as the target.

 **ATTENTION** THERE MAY BE SERIOUS CONSEQUENCES FROM MISCHIEVOUS SHOOTING.



Mischievous shooting may damage public or personal property or injure a person or animal, causing serious consequences. Always treat airsoft sport seriously and have fun responsibly.

 **ATTENTION** NEVER PULL THE TRIGGER WITH THE SAFETY LEVER SET TO SAFE.



Pulling the trigger with the safety lever being set to SAFE may damage the gun.

 **ATTENTION** NEVER LOOK INTO THE MUZZLE AT ANY TIME.



Looking into the muzzle is extremely dangerous, regardless of BB loading condition. If a BB hits your eye, you may lose your sight.

 **ATTENTION** AVOID PULLING THE TRIGGER CARELESSLY.




Shooting carelessly is extremely dangerous. Never put your finger on the trigger unless you are ready to shoot at a target.

 **ATTENTION** ALWAYS DIRECT THE MUZZLE TOWARDS A SAFE DIRECTION.



Never direct the muzzle towards a person, animal or other inappropriate directions.

 **ATTENTION** NEVER SHOOT WHERE YOU MAY CROSS PATHS WITH PEOPLE OR TRANSPORTATION.




Select a safe place for shooting, avoiding places where people and cars are nearby.

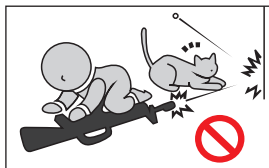
The operation procedure varies according to the model. **DO NOT** operate the airsoft gun without fully understanding its features. Manufacturer and supplier are not responsible for any accidents, injuries or repair costs arising from wrong operation/handling or from modifications and disassembly of the airsoft gun.

 **ATTENTION** PLEASE PUT IN A BAG OR BOX WHILE TRANSPORTING YOUR AIRSOFT GUN.



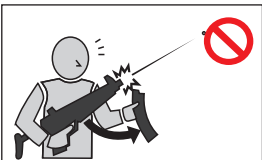
While carrying the airsoft gun, always set the Selector Switch to SAFE when not in use. Always put it in a bag or case.

 **ATTENTION** KEEP OUT OF REACH FROM CHILDREN




Always remove any remaining BBs and the battery before storage. Store the airsoft gun in a case or bag out the reach of children to avoid accidents.

 **ATTENTION** BBS MAY BE DISCHARGED EVEN IF THE MAGAZINE IS REMOVED.



There may still be BBs left in the airsoft gun even though the magazine has been removed. Pulling the trigger carelessly is extremely dangerous.

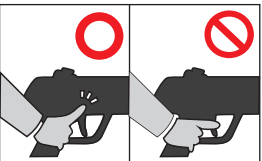
After removing the magazine, direct the muzzle towards a safe direction and pull the trigger to confirm that no BBs remain in the airsoft gun.

 **ATTENTION** DO NOT DISPLAY IN PUBLIC. POLICE AND OTHERS MAY THINK IT IS A REAL FIREARM!



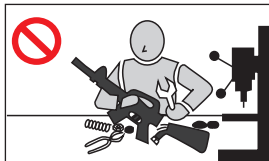
Do not brandish in public; do not alter the coloration and warnings - such an action is dangerous and may be a crime.

 **ATTENTION** DO NOT PULL THE TRIGGER UNLESS YOU EXPECT TO SHOOT.



Do not put your fingers on the trigger except when you are shooting at a target. Keeping your finger on the trigger may cause sudden discharge, which is dangerous.

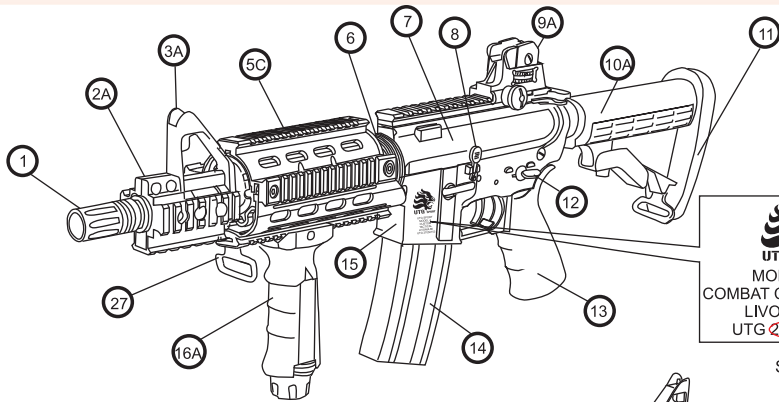
 **ATTENTION** DO NOT DISASSEMBLE THE GUN BODY.



Disassembly or modification of the airsoft gun could easily cause trouble, accident and adversely affect product performance.

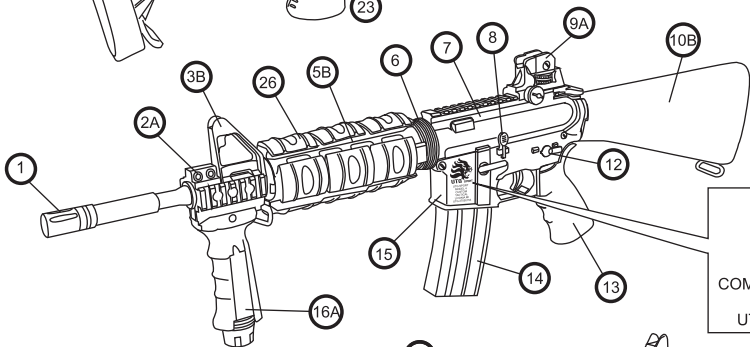
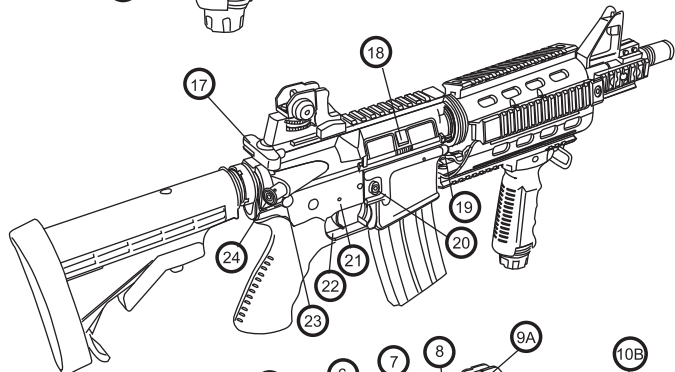
 **ATTENTION**

- NEVER DISASSEMBLE OR MODIFY THE AIRSOFT GUN.
- While using this product, please ensure the safety of the surrounding area where BBs can reach. Ensure safety of property and people, including spectators.
- The muzzle should not be directed at any hard surface, such as glass, mirrors, furniture, cars, etc., that might cause BBs to break or ricochet.
- Do not put your fingers into any gap of the airsoft gun body.
- Make sure the airsoft gun is stored in a secure area where it won't easily fall, and is out of the reach of children.
- Always treat the airsoft gun with the same respect and safety precaution as you would with a firearm.
- Use .24 caliber (6mm), precision ground BBs only. Low quality BB pellets may clog and damage the rifle. Do not re-use BBs. Do not insert anything other than specified BBs into the magazine. Use any other ammunition may cause personal injury or damage to the airsoft gun.



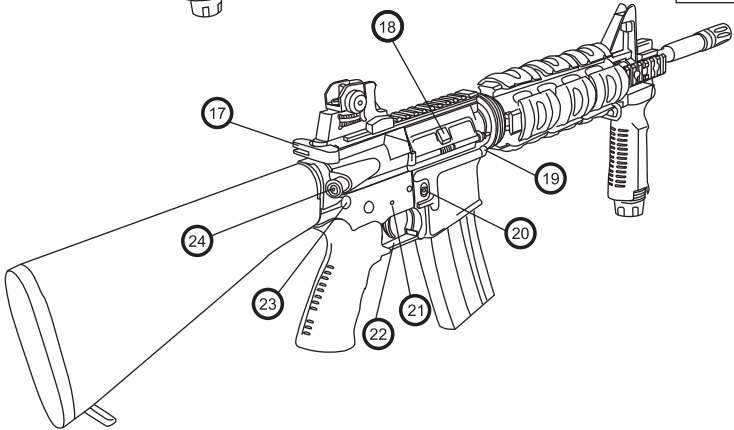
  
MODEL 4  
COMBAT COMMANDO  
LIVONIA MI  
UTG ~~27050153~~

Serial No.



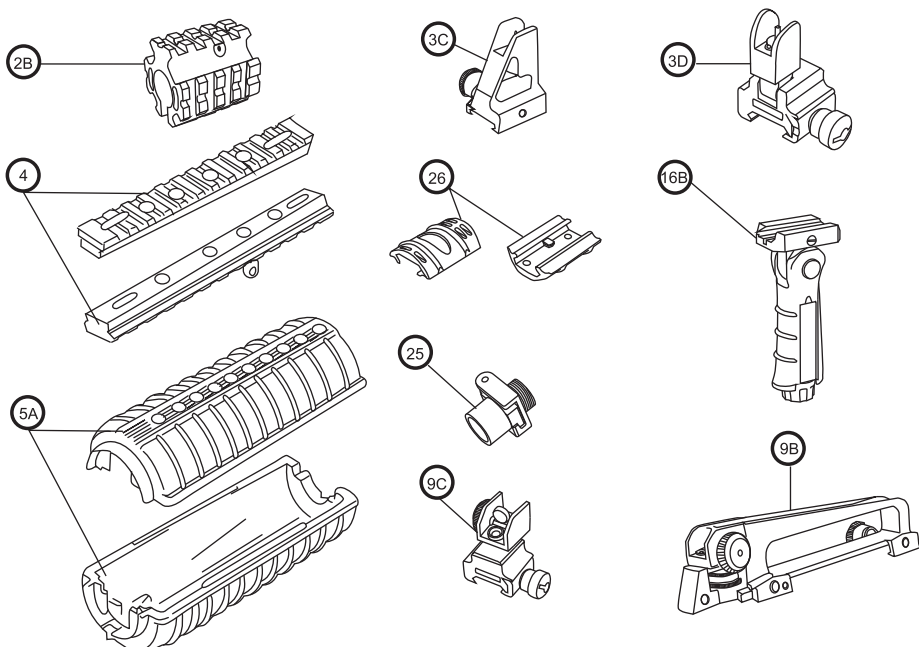
  
MODEL 4  
COMBAT TACTICAL  
LIVONIA MI  
UTG ~~27050153~~

Serial No.



# 05

## Component Chart



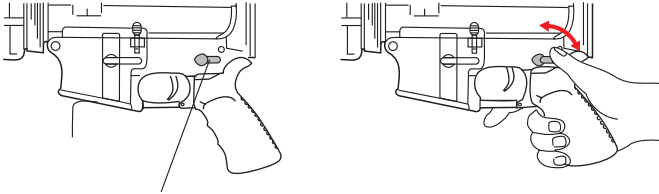
No.	Component Description	Item No.	No.	Component Description	Item No.
①	Flash Hider	M4-01	⑪	Stock Buttpad	M4-32
②A	Tri-rail Barrel Mount	M4-03	⑫	Safety/Fire Selector	M4-26-01
②B	Quad-rail Gas Block	M4-51	⑬	Pistol Grip	M4-27
③A	Fixed Front Sight w/o Sling Swivel	M4-04S	⑭	High Cap Metal Magazine	M4-33
③B	Fixed Front Sight w/ Sling Swivel	M4-04	⑮	Lower Receiver	M4-21
③C	Detachable Front Sight	M4-52	⑯A	Tactical Foregrip	M4-40
③D	Flip-up Tactical Front Sight Tower	M4-58	⑯B	Foldable Tactical Foregrip w/ 5 Adjustable Positions	M4-61B
④	Handguard Rails	M4-08	⑰	Charging Handle	M4-16
⑤A	Plastic Handguard	M4-07	⑱	Ejection Port Cover	M4-17
⑤B	Combat Tactical Metal Quad Rail System	M4-34	⑲	Pivot Pin	M4-23-01
⑤C	Quick Release Metal Quad Rail System for Large Capacity Battery	M4-53B	⑳	Magazine Release Button	M4-24-02
⑥	Delta Ring Assembly	M4-10	㉑	Hammer & Trigger Pin	M4-23-02
⑦	Upper Receiver	M4-12	㉒	Trigger Guard	M4-25
⑧	Bolt Catcher	M4-22	㉓	Takedown Pin	M4-23-03
⑨A	Detachable Rear Sight	M4-20	㉔	Forward Assist	M4-14
⑨B	Carry Handle	M4-50	㉕	Foldable Stock Adaptor	M4-60
⑨C	Flip-up Tactical Rear Sight	M4-59	㉖	UTG Rubber Rail Guards	M4-35
⑩A	6 Position Retractable Stock	M4-31	㉗	QD Swivel	M4-54
⑩B	A2 Buttstock	M4-36			

\*Model configuration may vary.

## Safety/Fire Selector



- Always set the Safety/Fire Selector to SAFE and change only immediately before firing.
- Set the Selector correctly in position; otherwise malfunction may occur.



Safety/Fire Selector — Can be operated with one hand

### WARNING

- Never switch the Selector while pulling trigger. Otherwise, malfunctioning is possible and may result in accidents.
- Pulling the trigger with the Selector being set to SAFE may damage the product.

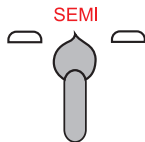
Safety ON



When SAFETY is on, the trigger cannot be pulled.

When you are not firing the airsoft gun or when it is in storage, always set the Selector to the SAFE position.

Safety OFF



SEMI AUTOMATIC (Single Shot Mode)

The airsoft gun will fire one shot each time the trigger is pulled.

Safety OFF



FULL AUTOMATIC (Automatic Mode)

The airsoft gun will fire automatically and continuously while the trigger remains pulled.



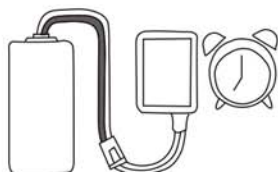


- Always set the Safety/Fire Selector to SAFE and change only immediately before firing.
- Remove magazine, examine chamber and make sure there is no pellet in the airsoft gun.
- Depending on your product model, handguard, mount, stock and other accessory configurations may vary, but the same instructions apply.

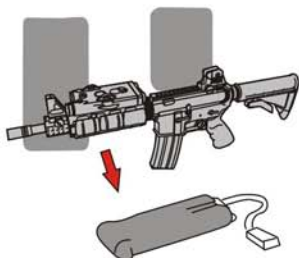
## WARNING

- Do not overcharge the battery!
- Remove battery before storing the airsoft gun.
- Never disassemble the battery.
- Do not shoot over 5 minutes continuously.

- To prolong battery lifetime and maintain the best shooting performance, do not shoot over 5 minutes continuously.
- Never pull the battery by its plugs. It may cause damage to the wiring insulation.
- Never deliberately short circuit batteries. Exposing the battery wires where they may come into contact with each other or to other metallic objects can cause the battery to short circuit and create a potential fire hazard.
- Not all chargers perform the same. Please use the charger included with your airsoft gun which is intended for your battery type.
- Be sure to dispose used or damaged battery appropriately.



- You must charge the battery for a minimum of **four hours**, up to a **maximum of six hours**, before initial use. Make sure your battery is fully charged, but never charge over 6 hours each time. This will ensure maximum performance of your new airsoft gun.



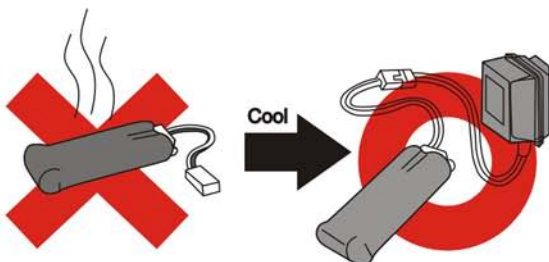
- When putting away the airsoft gun for storage, please remove the battery from the airsoft gun. Leaving battery inside the airsoft gun without use for long periods of time may cause damage to the airsoft gun or cause danger. Store the battery in a cool, dry place when not in use.



- Never disassemble the battery.



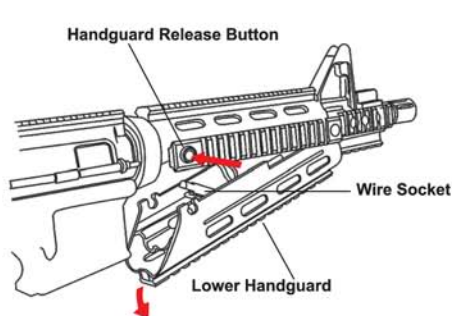
- Batteries can explode or cause burns if exposed to liquid, chemical, fire or high temperature.



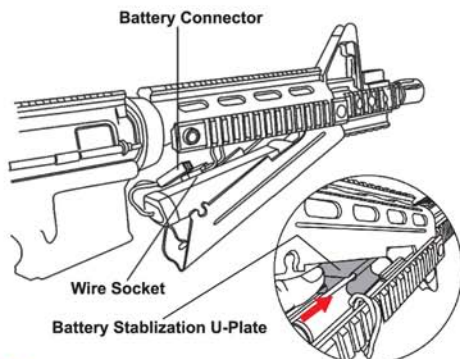
- Let the battery cool before charging.



- Always set the Safety/Fire Selector to SAFE and change only immediately before firing.
- Remove magazine, examine chamber and make sure there is no pellet in the airsoft gun.
- Depending on your product model, handguard, mount, stock and other accessory configurations may vary, but the same instructions apply.



- 1** Press/Hold the Handguard Release Button and pull down the Lower Handguard to access the battery compartment and Wire Socket.



- 2** Note: When installing a smaller sized battery, slide Battery Stabilization U-Plate into slots of Mounting Plate. (This is needed only for smaller sized battery.)
- Place the battery into the Lower Handguard with Battery Connector wire end facing out. Make sure the battery is sitting into the position properly.

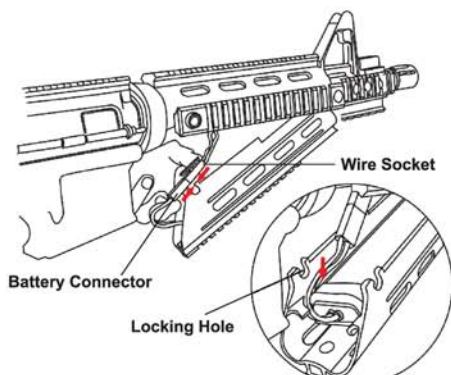


Fig 1.1

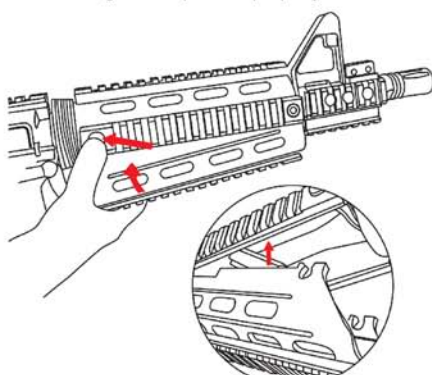


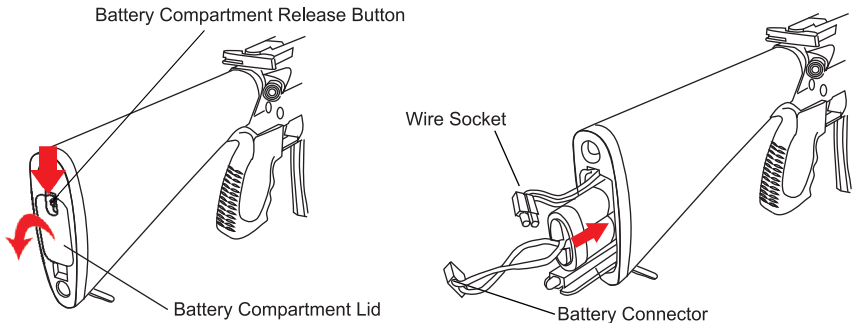
Fig 1.2

- 3** • Connect the Battery Connector to the airsoft gun Wire Socket.
- Arrange wires to the side of the battery. Make sure the wires are sitting below the Locking Hole. (Fig 1.1)
- 4** • Make sure Wire Connector is sitting beside the barrel. (Fig 1.2)
- Press/Hold the Handguard Release Button while pushing the Lower Handguard up and snap handguard into place. Inspect to ensure the handguards fit together and are fully locked.
- 5** Point the barrel to a safe direction and set the Selector Switch to Semi-Auto for test shooting. Then set the selector back to SAFE.
- 6** If the airsoft gun did not test fire successfully, check if battery is fully charged. Then, go through the above steps to check wire connections again. For further assistance, refer to Operation Tips.



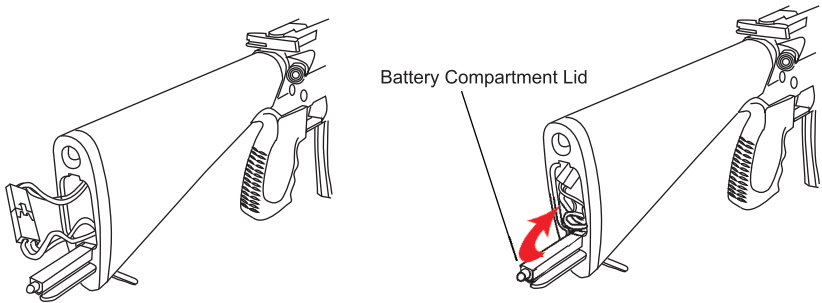
CAUTION

- Always set the Safety/Fire Selector to SAFE and change only immediately before firing.
- Remove magazine, examine chamber and make sure there is no pellet in the airsoft gun.
- Depending on your product model, handguard, mount, stock and other accessory configurations may vary, but the same instructions apply.



- 1** Press down Battery Compartment Release Button and pull open the Battery Compartment Lid.

- 2** Place the battery into the Battery Compartment, inserting the end without wires into the compartment first.



- 3** Connect the Battery Connector to the airsoft gun Wire Socket. Tuck the battery and wires inside the stock.

- 4** Close the Battery Compartment Lid.

- 5**
- Point the barrel to a safe direction and set the Selector Switch to Semi-Auto for test shooting. Then set the selector back to SAFE.
  - If the airsoft gun did not test fire successfully, check if battery is fully charged. Then, go through the above steps to check wire connections again. For further assistance, refer to Operation Tips.



CAUTION

- Always set the Safety/Fire Selector to SAFE and change only immediately before firing.
- Depending on your product model, handguard, mount, stock and other accessory configurations may vary, but the same instructions apply.

### 1 Remove the magazine

Press the Magazine Release Button while tilting the magazine forward to disengage the magazine. (Hold the magazine to prevent falling.) (Fig 2.1)

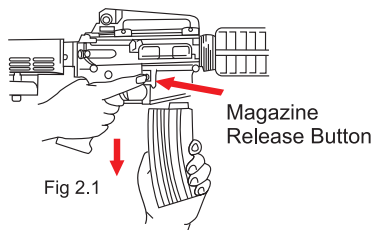


Fig 2.1

### 2 Load BB Pellets

- Slide open the Magazine Cap. (Fig 2.2)
- Insert 6mm pellets into the magazine. (Fig 2.3)
- Slide close the Magazine Cap.
- Rotate the Wind Up Wheel to draw BBs up into the Ready Tube. Stop when the wheel gets tight. (Fig 2.4)
- Alternatively, you can draw BBs up by inserting the Wind-Up Key into the side slot and turning the key clockwise. Stop when the key feels tight during rotation. (Fig 2.4)

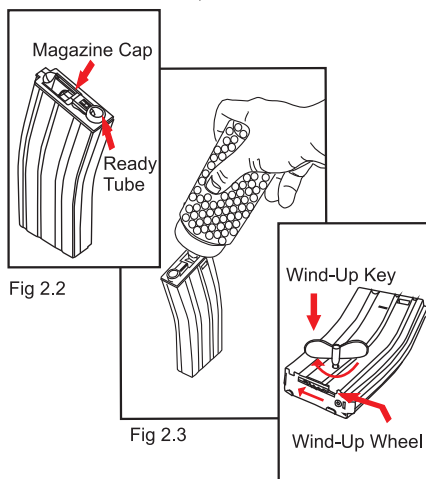


Fig 2.2

Fig 2.3

Fig 2.4

### 3 Install the magazine

Insert the magazine into the airsoft gun. Make sure the magazine connects firmly upward and a click sound is heard. ( Fig 2.5)

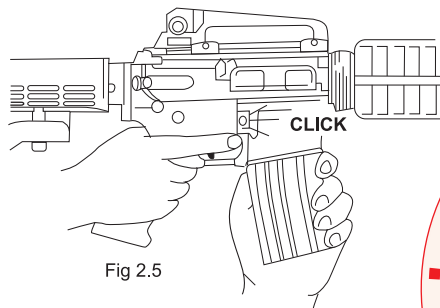


Fig 2.5

# WARNING

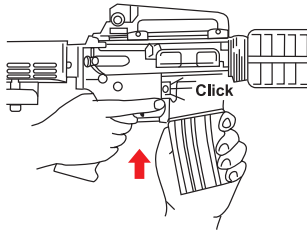
- Always use Premium Precision Ground 6mm BB Pellets for accuracy and safety. Never re-use BB pellets.
- Use of any other ammunition may cause personal injury or damage the airsoft gun.
- Read the battery installation instruction carefully before loading BBs into the magazine.



CAUTION

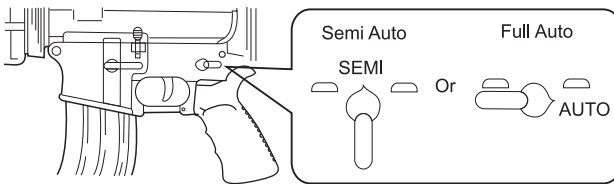
- Always set the Safety/Fire Selector to SAFE and change only immediately before firing.
- Depending on your product model, handguard, mount, stock and other accessory configurations may vary, but the same instructions apply.

- 1 Follow magazine installation instructions to install your magazine.



## 2 Semi Auto Shooting and Full Auto Shooting

- Set Safety/Fire Lever to Semi Auto position or to Full Auto position.
- Hold the airsoft gun firmly and rest the stock at a comfortable position.



Read instructions before shooting.



Never aim the airsoft gun at people or animals.

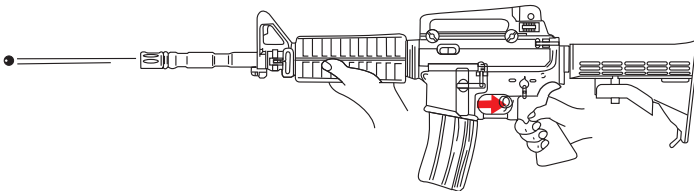


Never shoot in a crowd, traffic or at something explosive and flammable.



Shooters must pay attention to the surrounding areas and wear safety goggles.

- 3 Aim the airsoft gun at your target and pull the trigger to fire.



CAUTION

- Activating the trigger carelessly is extremely dangerous. Never put your finger on the trigger until you are ready to shoot at target.
- A blank firing may occur when pulling the trigger. This is normal after installing your magazine.
- If the airsoft gun doesn't fire when you pull the trigger in the Semi Auto mode, do not pull the trigger furiously. Set the Selector to Full Auto, fire 5 to 6 shots and then return to the Semi Auto operation.
- A smell may come from the motor for a while when a new airsoft gun is operated. This is normal.

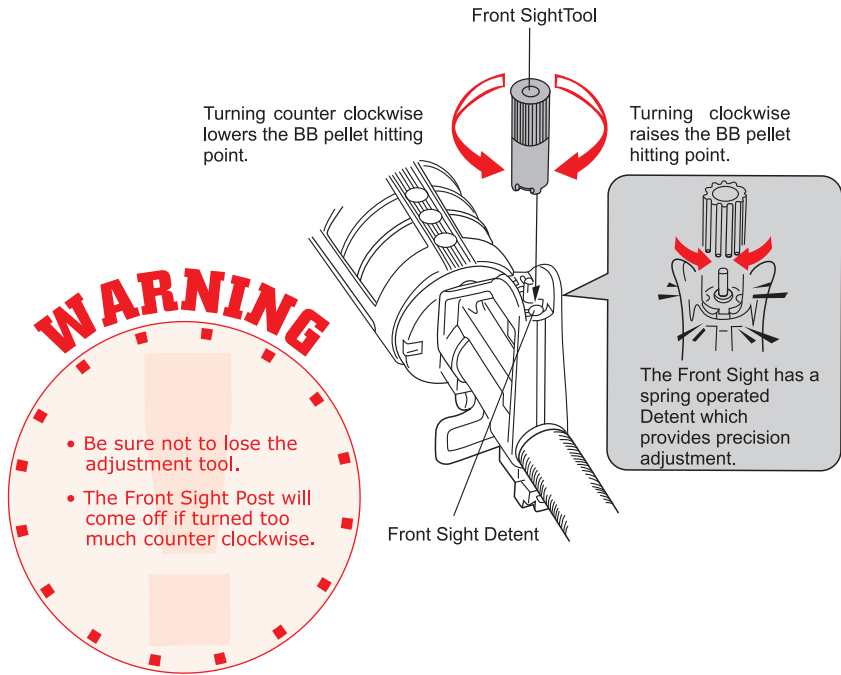
## Front/Rear Sight Adjustment



- Always set the Safety/Fire Selector to SAFE and change only immediately before firing.
- Depending on your product model, handguard, mount, stock and other accessory configurations may vary, but the same instructions apply.

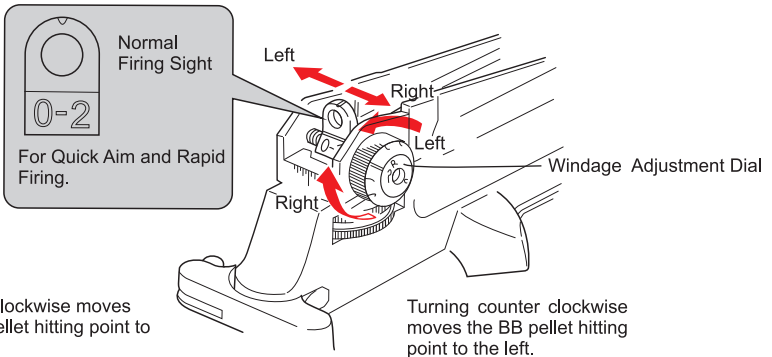
### Front Sight Adjustment:

Insert the Front Sight Tool into the Front Sight to adjust aiming point.



### Rear Sight Adjustment 1: For Left-Right Adjustment

Turn the Windage Adjustment Dial to move the BB pellet hitting point to the left or right.



Turning clockwise moves the BB pellet hitting point to the right.

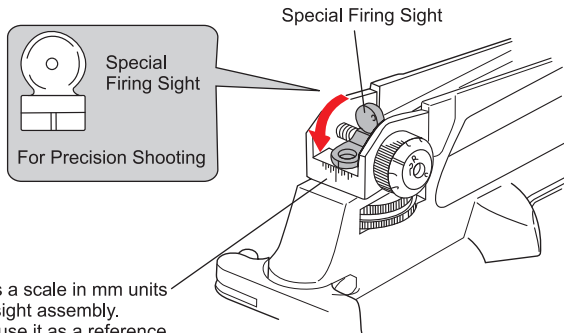
Turning counter clockwise moves the BB pellet hitting point to the left.



- Always set the Safety/Fire Selector to SAFE and change only immediately before firing.
- Depending on your product model, handguard, mount, stock and other accessory configurations may vary, but the same instructions apply.

### Rear Sight Adjustment 2: For Precision Targeting

The sight assembly is marked in millimeters for easy use. To change between Normal Firing Sight and Special Firing Sight, flip the sight forward or backward.

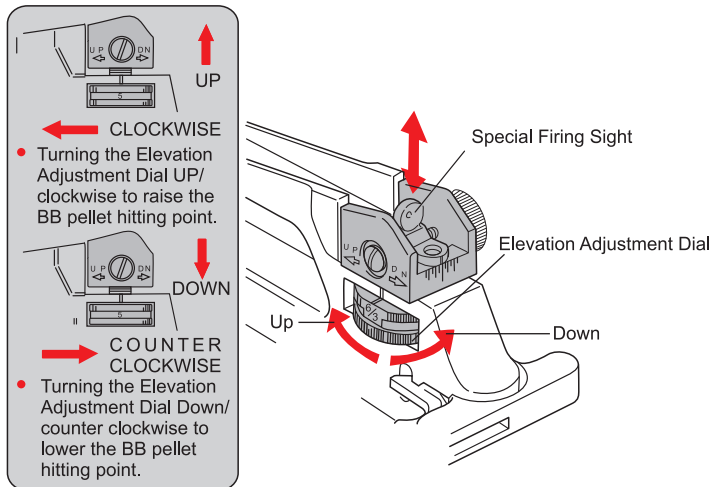


There is a scale in mm units on the sight assembly. Please use it as a reference for windage adjustment.

### Rear Sight Adjustment 3: For Up-Down Adjustment

(Not applicable to Flip-up Tactical Rear Sight (M4-59))

Turning the elevation adjustment dial will raise or lower the BB pellet hitting point.



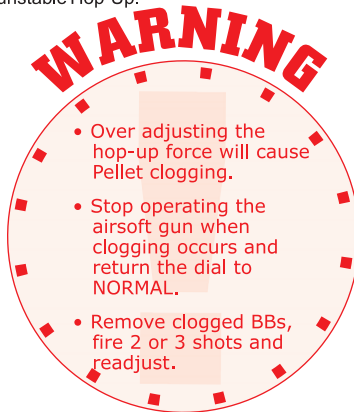


- Always set the Safety/Fire Selector to SAFE and change only immediately before firing.
- Depending on your product model, handguard, mount, stock and other accessory configurations may vary, but the same instructions apply.

The hop-up function forces the BBs to back-spin while traveling in the air, allowing for straighter and longer distance shooting than normal airsoft. Unlike the fixed hop-up system, the variable hop-up system allows hop-up strength to be adjusted to adapt your shooting at different distances and under different environments.



- Over adjusting the hop-up force will cause pellets to clog. Keep pulling the trigger with the BB pellets being clogged will damage the piston and gears.
- If a BB pellet clogging occurs, immediately stop firing the airsoft gun, set the Safety/Fire Selector to SAFE and remove the magazine. Return the HOP Adjustment Dial to the NORMAL position. Remove clogged BB pellets using the cleaning rod.
- Never use used or dirty bullets. Otherwise, the chamber may become dirty, resulting in unstable Hop-Up.

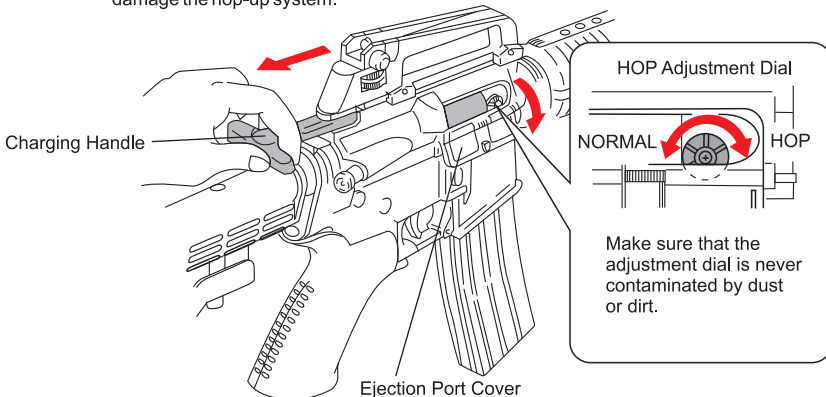


### Adjustment Procedure

- Pull the Charging Handle backward to open the Ejection Port Cover and hold the Charging Handle while adjusting the Hop-Up.

**Warning** Do not release the charging handle when adjusting the Hop-Up.

- Slightly turn the adjustment dial toward the HOP direction. Fire a few pellets. Continue this procedure until BB pellets shoot straight at your target.
- Over adjusting the hop-up force adversely affects the trajectory. Stop turning the Hop Adjustment Dial when BB pellets travel straight.
- Maximum adjustment for the HOP Adjustment Dial is 3/4 of a turn. Over adjustment will damage the hop-up system.







- Always set the Safety/Fire Selector to SAFE and change only immediately before firing.
- Depending on your product model, handguard, mount, stock and other accessory configurations may vary, but the same instructions apply.

### Optimal Adjustment

- The best position is when the BB pellets fly straight and reach the longest horizontal flying distance.



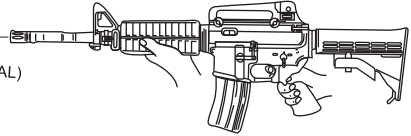
○ Too much hop-up (return the dial towards NORMAL)



○ Best position



○ Not enough hop-up (move the dial towards HOP)  
or too much hop-up (move the dial towards NORMAL)



## WARNING

- Since a precision tight barrel is used, dirty bullets or those with burrs will cause clogging of BB pellets and possible fatal damage to the gear box and system.

### Operational Cautions

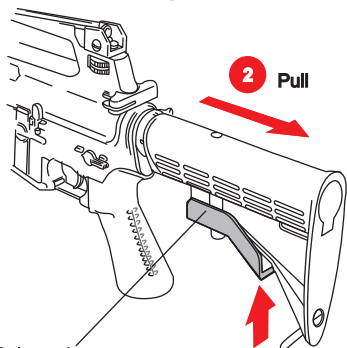


- Never hold the airsoft gun on its side while shooting as the BB pellets will curve right or left. This is due to the hop-up system.
- Make sure to return the HOP Adjustment Dial to the NORMAL position when removing clogged BB pellets or cleaning. Otherwise, the Hop-Up Bucking may get damaged. Remove clogged BBs with a cleaning rod.
- Over-adjusting the hop-up force may cause BB clogging. If you keep pulling the trigger with bullets being clogged, this will damage the piston and gears.

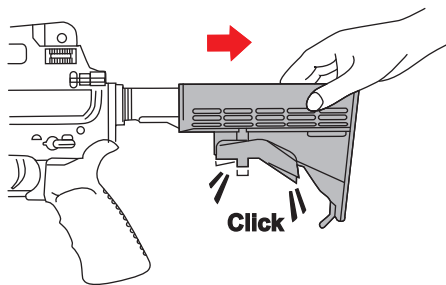


- Always set the Safety/Fire Selector to SAFE and change only immediately before firing.
- Remove magazine, examine chamber and make sure there is no pellet in the airsoft gun.
- Depending on your product model, handguard, mount, stock and other accessory configurations may vary, but the same instructions apply.

### Retractable Stock Operation

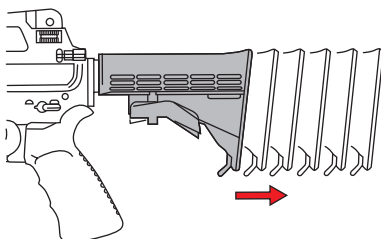


Stock Release Lever



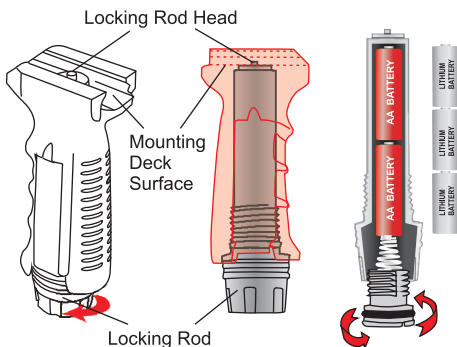
- 1 Press and hold the Stock Release Lever to unlock.
- 2 Pull Stock backward.

- 3 Release the Stock Release Lever to set Stock at the 1st position.

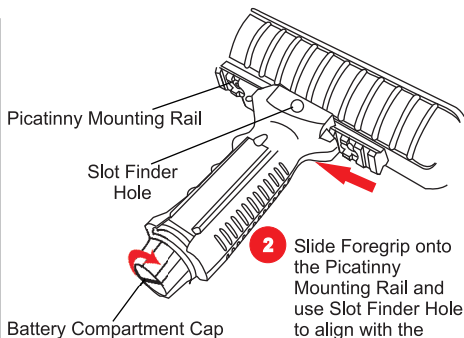


- 4
  - The Stock provides 6 adjustable positions, allowing different lengths.
  - Adjust the Stock position until you find the most comfortable cheek rest and aiming position.

### Foregrip Installation



- 1 Loosen the Locking Rod by turning its bottom end counter-clockwise until the Locking Rod Head is lower than the Mounting Deck Surface.



- 2 Slide Foregrip onto the Picatinny Mounting Rail and use Slot Finder Hole to align with the desired groove on the rail.

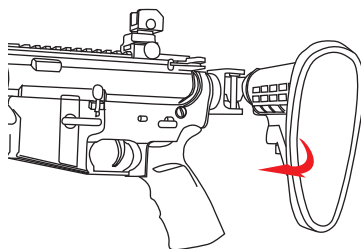
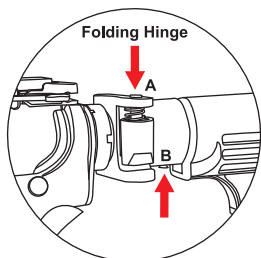
- 3 Tighten the Locking Rod by turning the bottom end clockwise until the Locking Rod Head is securely butting against the chosen groove of the rail.

## Foldable Stock & Foldable Foregrip Operation



- Always set the Safety/Fire Selector to SAFE and change only immediately before firing.
- Remove magazine, examine chamber and make sure there is no pellet in the airsoft gun.
- Depending on your product model, handguard, mount, stock and other accessory configurations may vary, but the same instructions apply.

### Foldable Stock Operation

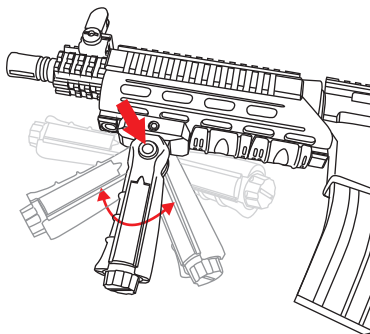
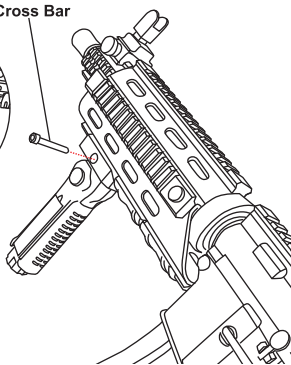
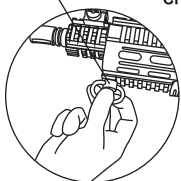


- 1 Positioning your thumb on top of the Folding Hinge (A) and your index finger under the stock (B), squeeze together to release the hinge lock.
- 2 Fold stock to the left side of the gun until the stock is locked into position. To unfold pull the stock away from the gun until it is locked into the regular position.

### Foldable Foregrip Operation

QD Swivel

Cross Bar

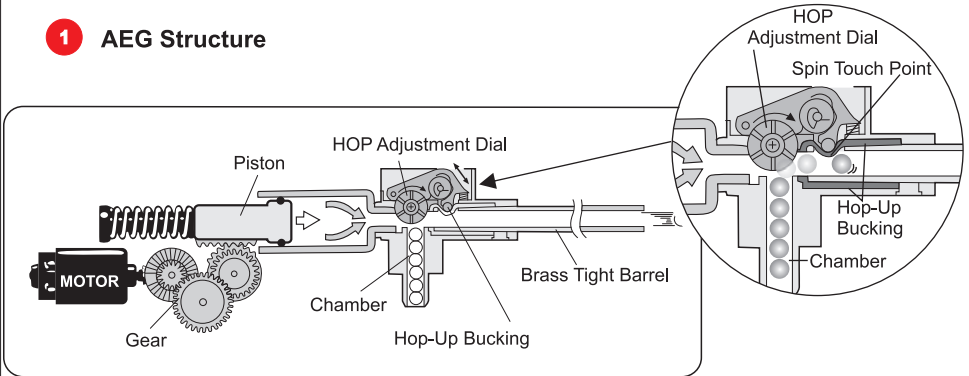


- 1
  - In case QD Swivel is installed, push the center button in QD Swivel to pull it out.
  - Use an appropriate Allen wrench to unscrew the Cross Bar from the mounting deck of the foregrip. Make sure the locking nut on the opposite side of the cross bar is situated in its housing.
  - Remove the Cross Bar and slide the foregrip onto the Weaver/Picatinny rail.
  - Align the Cross Bar hole on the mounting deck to a selected slot on the rail. Insert the Cross Bar. Inspect to ensure the locking nut is inside the housing, and tighten the screw until the foregrip is completely secured on the rail.
  - Push the center button in QD Swivel into Swivel hole until you hear a clicking sound. Release the button.
- 2
  - Press/Hold the Position Button on Foldable Foregrip to fold forward/backward and release the button to lock in a desired position.
  - Click in place to lock in position.

**CAUTION**

- Always set the Safety/Fire Selector to SAFE and change only immediately before firing.
- Remove magazine, examine chamber and make sure there is no pellet in the airsoft gun.
- Depending on your product model, handguard, mount, stock and other accessory configurations may vary, but the same instructions apply.

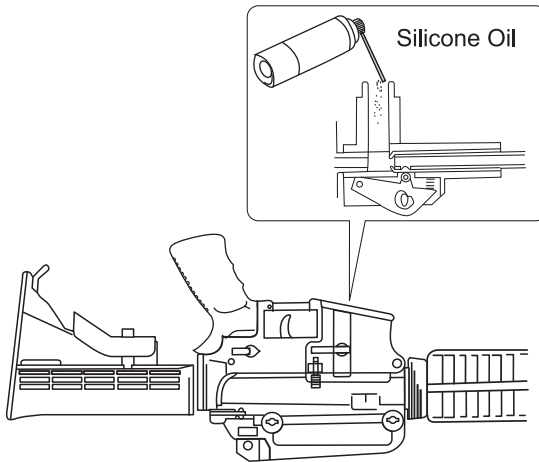
## 1 AEG Structure



### During Operation:

## 2 BB Clogging Removal and Silicone Oil Maintenance

- Perform maintenance after every 10,000 shots. Spray silicone oil to the chamber for .5 to 1 second. The hop-up operation may be slightly unstable for 200 to 300 rounds after spraying the silicone oil, which is not a problem.
- If BB pellet dlogging occurs, immediately stop firing the airsoft gun. Remove the magazine and set the Safety/Fire Selector to SAFE. Remove clogged BB pellet using the cleaning rod. Apply a few drops of silicone oil into the chamber from the magazine entrance shown or spray silicone oil for 0.5 to 1 second to obtain smooth shooting performance.

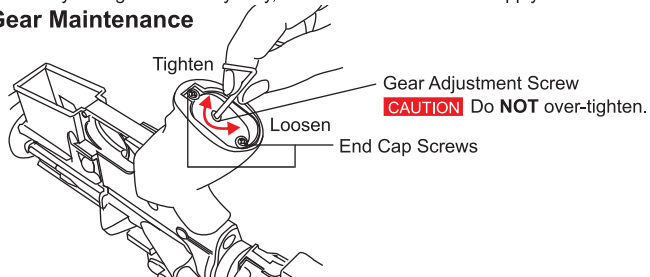
**CAUTION**

- Never use any other type of oil.
- Smell may come from the motor for a while when operating a new airsoft gun. This is normal.
- The hop-up operation may be unstable for 200 to 300 rounds after using silicone oil. This is normal.



- Always set the Safety/Fire Selector to SAFE and change only immediately before firing.
- Remove magazine, examine chamber and make sure there is no pellet in the airsoft gun.
- Depending on your product model, handguard, mount, stock and other accessory configurations may vary, but the same instructions apply.

### 3 AEG Motor-Gear Maintenance



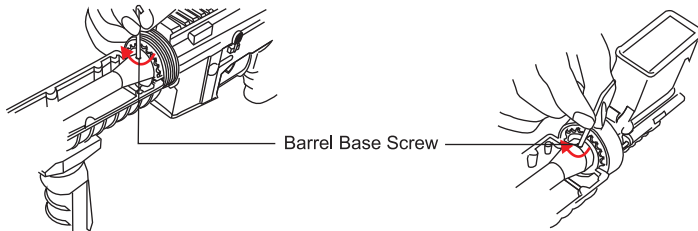
Motor-gear engagement can become loose during transportation or after extended use. This will cause a grinding noise when firing. Please follow the steps below for adjustment:

- Tighten the End Cap Screws on the pistol grip.
- Use a proper Allen wrench to slightly tighten the Gear Adjustment Screw.

**4** Sometimes, the airsoft gun may not fire when pulling trigger in the Semi Auto mode. In this case, do not pull the trigger furiously. Fire 5 to 6 shots in the Full Auto mode and then return to the Semi Auto operation.

### 5 Tightening Barrel Base Screw

The Barrel Base Screw may become loose during extended use and may need adjustment.



Refer to battery installation instructions to use the Handguard Removal Tool to remove the upper handguard piece. Keep lower handguard in place. Insert an Allen wrench in hole near Delta Ring Assembly. Turn clockwise to tighten. Replace the upper handguard piece.

Remove the lower handguard piece. Flip the airsoft gun upside down. Keep the upper handguard piece in place. Insert an Allen wrench in the hole near Delta Ring Assembly. Turn clockwise to tighten. Replace the lower handguard piece.

## After Operation

- 6**
- Remove the magazine and dry fire the airsoft gun in the Semi Auto mode with the muzzle aimed at a safe direction. Set the Selector to the SAFE position. This can release the possibly compressed spring in the gearbox to avoid losing full spring extension capacity over time.
  - Always disconnect the battery whenever you do not operate the airsoft gun. There may be BBs remaining in the chamber even if the magazine contains no BBs, or the magazine has been removed.

### 7 Cautions on Motor and Battery

- Make sure no dirt gets into the chamber to avoid clogging of BBs.
- Charge the battery if the firing cycle becomes slow.
- Rest the airsoft gun for 5 to 10 minutes after each 500 rounds of shooting to ensure longer lifetime of motor and battery.

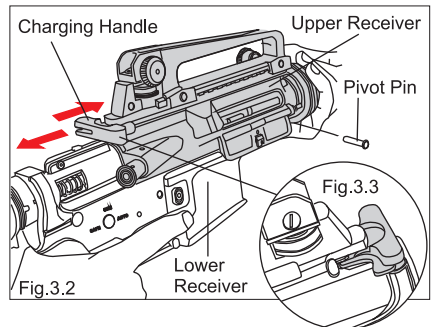
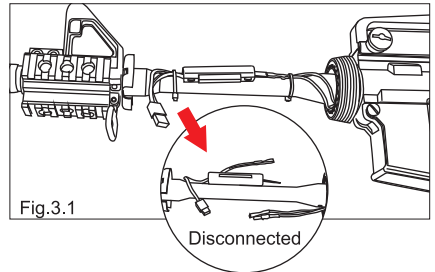


- IF YOUR AIRSOFT GUN IS STILL WITHIN THE 90 DAY WARRANTY PERIOD, PLEASE REFER TO THE REPAIR SERVICE AND WARRANTY SECTION OF THIS MANUAL FOR INFORMATION.
- Disassembly of your airsoft gun during warranty period will void your warranty.
- Always set the Safety/Fire Selector to SAFE and change only immediately before firing.
- Remove magazine, examine chamber and make sure there is no pellet in the airsoft gun.
- Depending on your product model, handguard, mount, stock and other accessory configurations may vary, but the same instructions apply.

## Disassembly Instructions

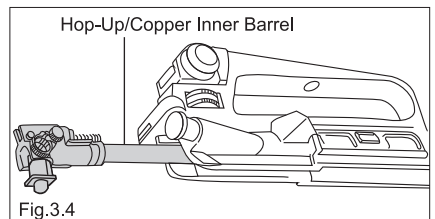
(Steps apply to both Commando and Tactical Series unless it is indicated otherwise.)

- 1 Remove the magazine and dry fire the airsoft gun in the Semi Auto mode with the muzzle aimed to a safe direction.
- 2 Set the Safety/Fire Selector to the SAFE position.
- 3 Remove the battery.
- 4 **Commando Series only**, Disconnect the wire connection as shown in Fig. 3.1.
- 5 Take down the Pivot Pin. Pull the Charging Handle backward and release it gradually without locking it back to position as shown in Fig. 3.3. Hold the Lower Receiver and gently slide the Upper Receiver off. While sliding the Upper Receiver off, adjust the Charging Handle position so that it will not interfere with the gearbox that is attached to the Lower Receiver as shown in Fig. 3.2.



- While sliding the Upper Receiver off, gearbox wires will come out through the Barrel Base Part (refer to Explosion Diagram). Pay special attention to prevent the wires from being blocked.

- 6 The Hop-Up and Copper Inner Barrel can be removed as shown in Fig. 3.4.



## Assembly

Follow the disassembly steps in reverse order to re-assemble the airsoft gun. During assembly, pay special attention to adjusting the position of the Bolt Catcher (refer to Component Chart and Explosion Diagram) and the Charging Handle.



- Gearbox wires need to be put back into the battery compartment through the Barrel Base Part (refer to Explosion Diagram) before the gearbox is secured in its final position.
- After reconnecting the wires, be careful to prevent the connectors from short circuiting. Remember to use a quick tie to fix the wire connection.



- IF YOUR AIRSOFT GUN IS STILL WITHIN THE 90 DAY WARRANTY PERIOD, PLEASE REFER TO THE REPAIR SERVICE AND WARRANTY SECTION OF THIS MANUAL FOR INFORMATION.
- Disassembly of your airsoft gun during warranty period will void your warranty.
- Always set the Safety/Fire Selector to SAFE and change only immediately before firing.
- Remove magazine, examine chamber and make sure there is no pellet in the airsoft gun.

## 1 The Gun is “dead”, does not shoot, or there is no reaction when pulling the trigger

Several reasons may cause this problem. Please follow the steps below for diagnosis:

- 1) Check the fuse and wire connection of the battery.
- 2) Recharge the battery (refer to Battery Operation and Care).
- 3) If your gun does not work after 1) and 2), remove the screws at the bottom of the pistol grip to loosen the Pistol Grip Base Plate. Check and secure the motor wire connections. Reinstall the Pistol Grip Base Plate. Test your gun. If it works, the connections were probably jarred loose previously.
- 4) If 3) does not work, remove the Pistol Grip Base Plate again. Pull the motor out, i.e. disengage it from the gearbox. Secure the wire connections. Pull the trigger to see if your motor runs.
  - a. If the motor runs, install it back to engage the gearbox. Re-install the Pistol Grip Base Plate back and test your gun. If it works, you just resolved a motor/gearbox locking issue in your gun. Otherwise, please contact your distributor or UTG for further assistance.
  - b. If the motor does not run, possible reasons are:
    - i. Motor needs to be replaced. Please contact your distributor or UTG for further assistance.
    - ii. There might be an open circuit in the gearbox. Please contact your distributor or UTG for further assistance.

## 2 Low Velocity

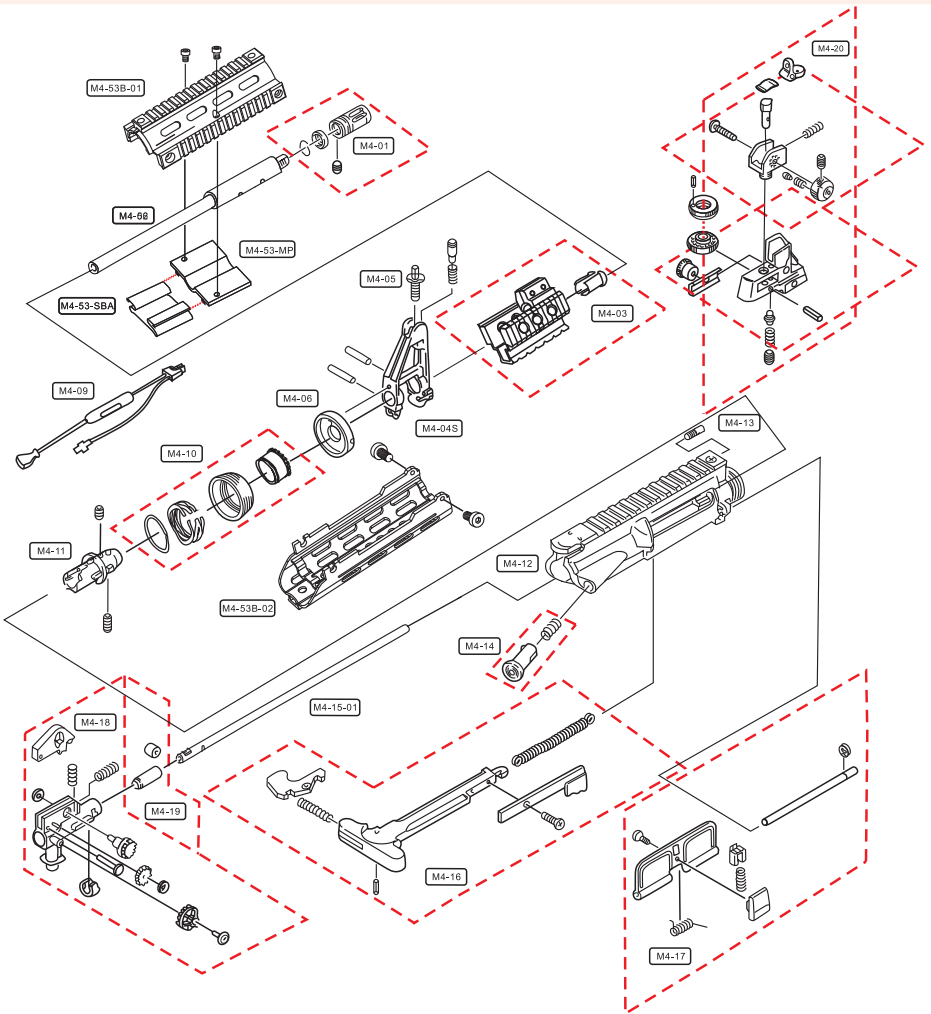
Low velocity may be due to a wide variety of reasons. Below are some checkpoints to go through for resolution -

- 1) Clean the barrel after each play to keep it clean and free from any unwanted build-up. Your barrel should always have a coating of lubrication on it (refer to Maintenance & Operation Tips).
- 2) Hop-Up setting greatly affects how fast the gun shoots. Do not over-adjust. Set it appropriately so that the BB shoots straight for the longest possible distance before it starts to drop. Over-adjustment will negatively impact velocity.
- 3) Re-assemble the Hop-Up set to make sure the Spin Touch Point points to the center position. If needed, replace the bucking inside the Hop-Up system.
- 4) Low velocity could also be caused by poor compression. This might happen after a fair amount of usage resulting in a worn piston seal. The seal parts inside the gearbox will need to be replaced. Contact your distributor or UTG for assistance.
- 5) Keep in mind that not all guns will shoot exactly the same so there can be some differences in velocity from one gun to another.

## 3 BBs trajectory is curved to left or right

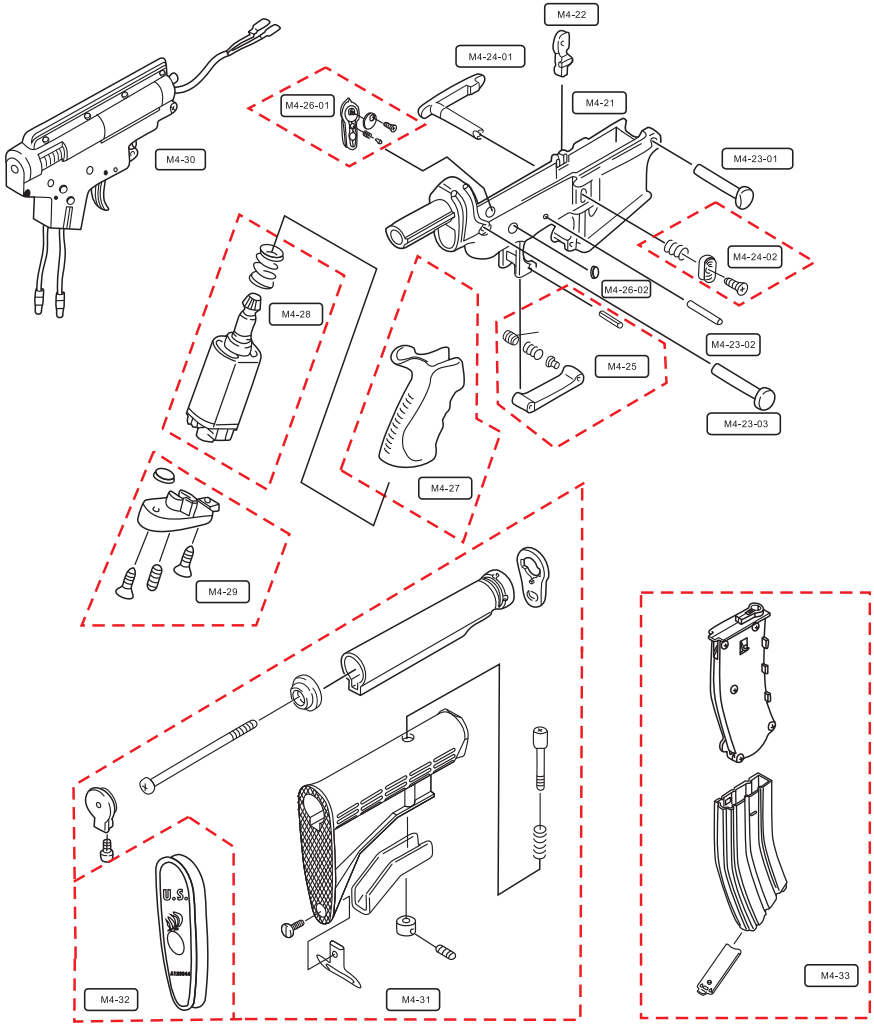
The following are some possible reasons:

- 1) Dirty barrel – Clean the barrel after each play to keep it clean and free from any unwanted build-up. Your barrel should always have a coating of lubrication on it (refer to Maintenance & Operation Tips).
- 2) The Spin Touch Point of the Hop-Up might be off center. Check the Hop-Up set and make sure to center the Spin Touch Point (refer to Maintenance & Operation Tips.)
- 3) Hop-Up Bucking is worn. Replace the bucking inside the Hop-Up to solve the problem.

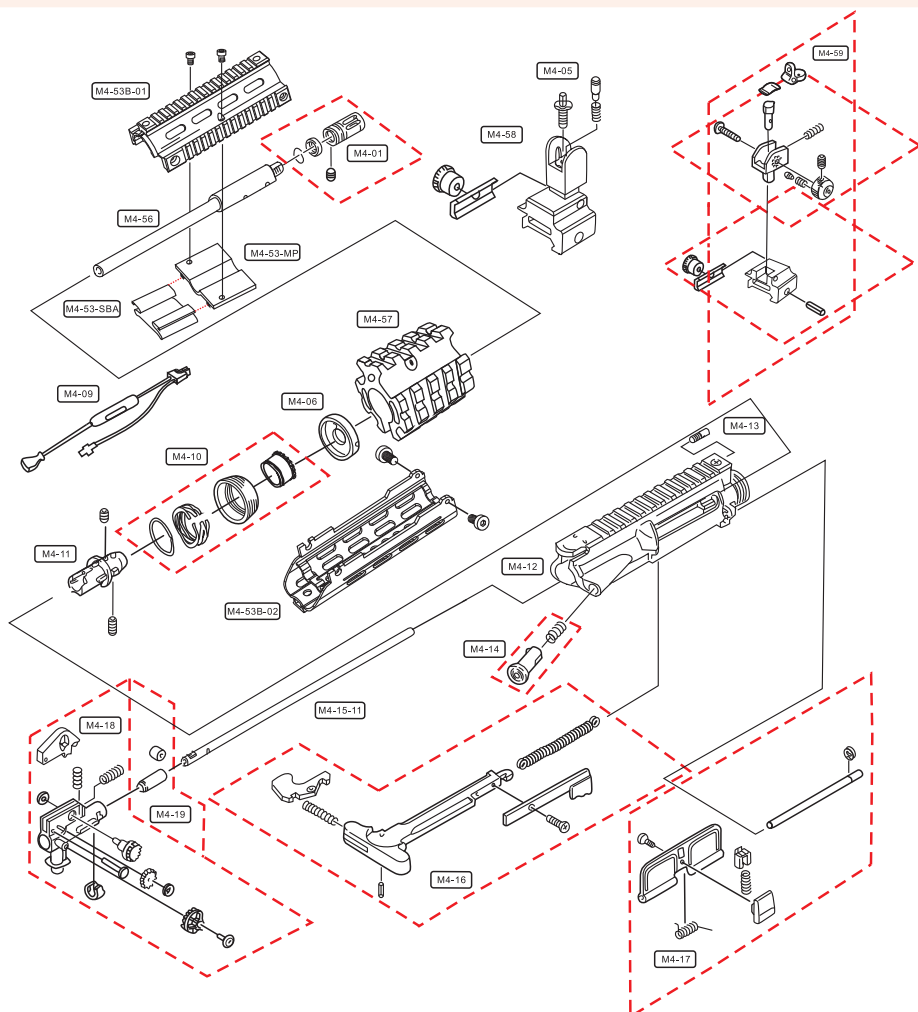


No.	Component Description	No.	Component Description
M4-01	Flash Hider Set	M4-13	Delta Ring Locking Pin
M4-02	Outer Barrel - Commando Series	M4-14	Forward Assist
M4-03	Tri-rail Barrel Mount	M4-15-01	Copper Inner Barrel - 12"
M4-04S	Front Sight w/o Sling Swivel	M4-16	Charging Handle Set
M4-05	Front Sight A2 Post	M4-17	Ejection Port Cover set
M4-06	Front Cap	M4-18	Hop-Up Assembly
M4-09	Wire Extension Set - Short	M4-19	Hop-Up Bucking
M4-10	Delta Ring Assembly	M4-20	Detachable Rear Sight
M4-11	Barrel Base Part	M4-21	Lower Receiver
M4-12	Upper Receiver	M4-22	Bolt Catcher

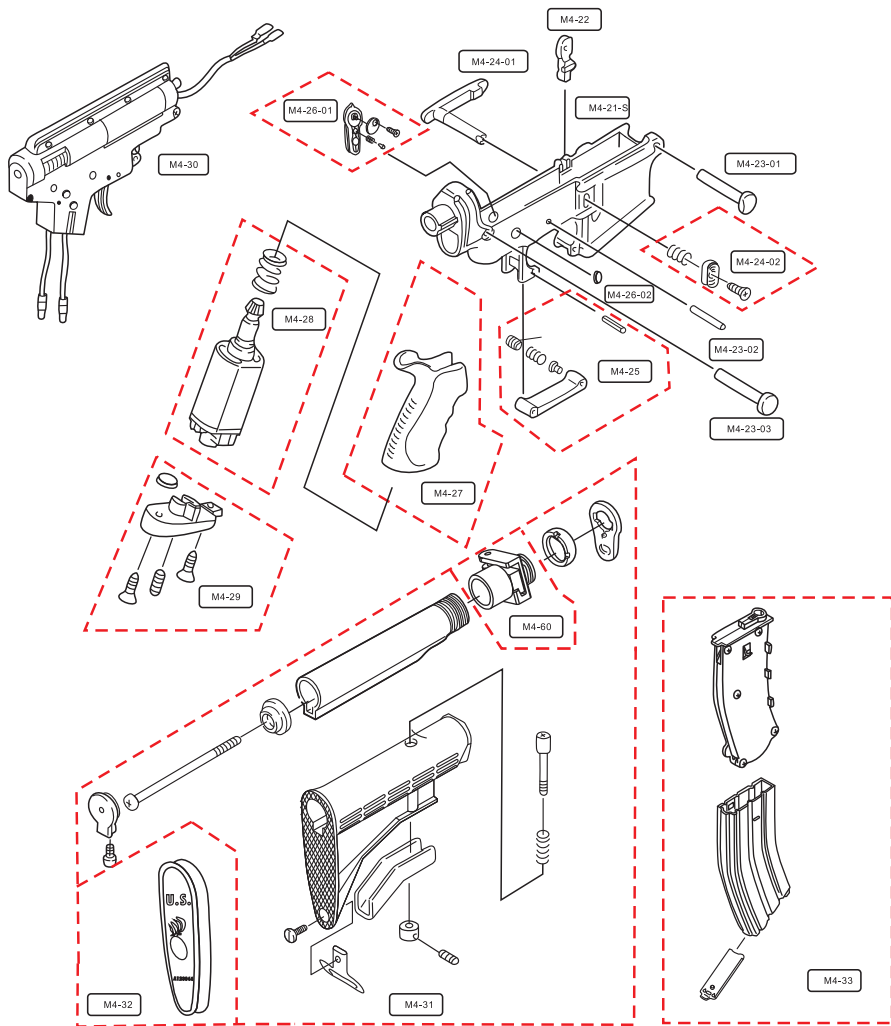




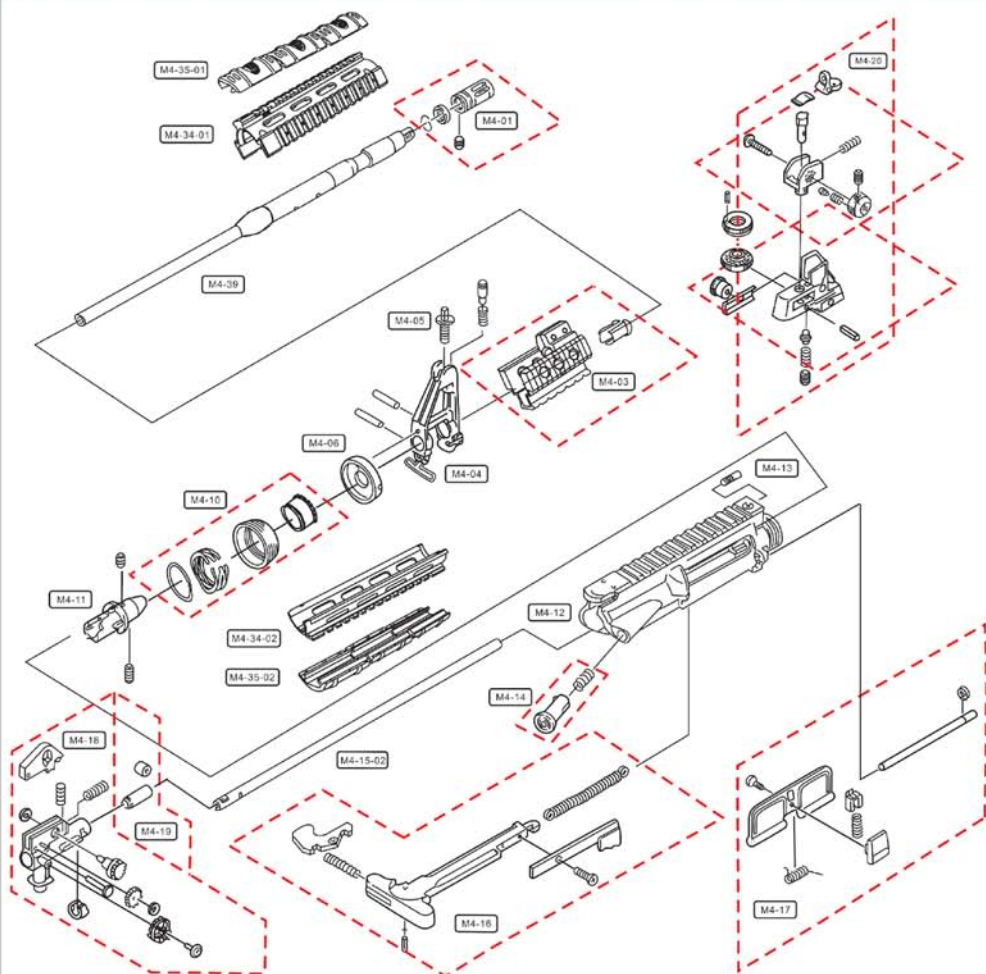
No.	Item Description	No.	Item Description
M4-23-01	Pivot Pin	M4-29	Pistol Grip Base Plate
M4-23-02	Hammer & Trigger Pin	M4-30	Front Wire Gear Box
M4-23-03	Takedown Pin	M4-31	6 Position Retractable Stock
M4-24	Magazine Catch Set	M4-32	Stock Butt pad
M4-25	Trigger Guard Set	M4-33	300rd High Cap Metal Magazine
M4-26-01	Safety Selector Set/Plug Cap	M4-53B	Quick Release Metal Quad Rail System
M4-26-02	Plug Caps	M4-53-MP	Mounting Plate
M4-27	Pistol Grip	M4-53-SBA	Battery Stabilization U-Plate
M4-28	Motor		



No.	Component Description	No.	Component Description
M4-01	Flash Hider Set	M4-16	Charging Handle Set
M4-03	Tri-rail Barrel Mount	M4-17	Ejection Port Cover set
M4-05	Front Sight A2 Post	M4-18	Hop-Up Assembly
M4-06	Front Cap	M4-19	Hop-Up Bucking
M4-09	Wire Extension Set - Short	M4-21S	Lower Receiver for CQB-OPS Series
M4-10	Delta Ring Assembly	M4-22	Bolt Catcher
M4-11	Barrel Base Part	M4-23-01	Pivot Pin
M4-12	Upper Receiver	M4-23-02	Hammer & Trigger Pin
M4-13	Delta Ring Locking Pin	M4-23-03	Takedown Pin
M4-14	Forward Assist	M4-24	Magazine Catch Set
M4-15-11	Copper Inner Barrel - 11"	M4-25	Trigger Guard Set

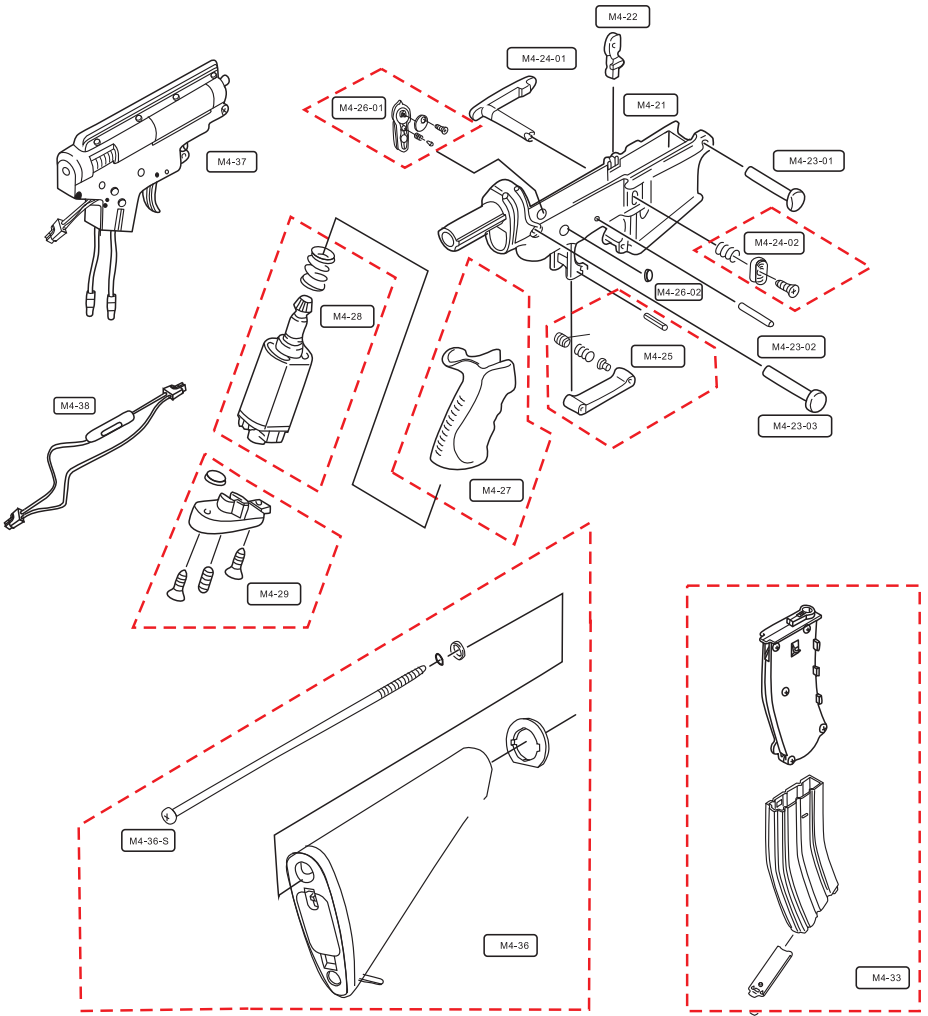


No.	Item Description	No.	Item Description
M4-26-01	Safety Selector Set/Plug Cap	M4-53B	Quick Release Metal Quad Rail System
M4-26-02	Plug Caps	M4-53-MP	Mounting Plate
M4-27	Pistol Grip	M4-53-SBA	Battery Stabilization U-Plate
M4-28	Motor	M4-56	Outer Barrel - CQB-OPS Series
M4-29	Pistol Grip Base Plate	M4-57	Gas Block Barrel Quad Rails
M4-30	Front Wire Gear Box	M4-58	Flip-up Front Sight
M4-31	6 Position Retractable Stock	M4-59	Flip-up Rear Sight
M4-32	Stock Buttpad	M4-60	Foldable Stock Adaptor
M4-33	300rd High Cap Metal Magazine		



No.	Component Description	No.	Component Description
M4-01	Flash Hider Set	M4-15-02	Copper Inner Barrel - 15"
M4-03	Tri-rail Barrel Mount	M4-16	Charging Handle Set
M4-04	Front Sight	M4-17	Ejection Port Cover Set
M4-05	Front Sight A2 Post	M4-18	Hop-up Assembly
M4-06	Front Cap	M4-19	Hop-up Bucking
M4-10	Delta Ring Assembly	M4-20	Detachable Rear Sight
M4-11	Barrel Base Part	M4-34	Metal Quad Rail System
M4-12	Upper Receiver	M4-35	UTG Rubber Rail Cover
M4-13	Delta Ring Locking Pin	M4-39	Outer Barrel - Tactical Series
M4-14	Forward Assist		

## Explosion Diagram - Tactical Series - 2



No.	Item Description	No.	Item Description
M4-21	Lower Receiver	M4-27	Pistol Grip
M4-22	Bolt Catcher	M4-28	Motor
M4-23-01	Pivot Pin	M4-29	Pistol Grip Base Plate
M4-23-02	Hammer & Trigger Pin	M4-33	300rd High Cap Metal Magazine
M4-23-03	Takedown Pin	M4-36	A2 Buttstock
M4-24	Magazine Catch Set	M4-36-S	A2 Buttstock Screw
M4-25	Trigger Guard Set	M4-37	Rear Wire Gear Box
M4-26-01	Safety Selector Set/Plug Cap	M4-38	Wire Extension Set - Long
M4-26-02	Plug Caps		

**LIMITED 90 DAY WARRANTY**

This product is warranted to the retail consumer for 90 days from date of retail purchase against defects in material and workmanship. The warranty is non-transferable.

**REPAIR SERVICE**

If your airsoft gun needs repair, please submit your request online on [www.leapers.com](http://www.leapers.com) or send your request to [utgservice@leapers.com](mailto:utgservice@leapers.com). (International customers should contact their distributors.) **DO NOT ATTEMPT TO DISASSEMBLE YOUR AIRSOFT GUN!** Your airsoft gun requires special tools and fixtures to repair. If you take it apart, you probably will not be able to reassemble it correctly. UTG assumes no warranty responsibility under such circumstances.

**WHAT IS COVERED**

Replacement parts and labor.

**TRANSPORTATION CHARGES**

Transportation to UTG will be paid by retail customer.  
Transportation to retail customer will be paid by UTG.

**WHAT IS NOT COVERED**

Product damages caused by abuse, modification or failure to perform normal maintenance and any other expense; consequential damages, incidental damages, or incidental expenses, including damage to property. (Some states do not allow the exclusion or limitation of incidental or consequential damages, so the above limitation or exclusion may not apply to you.)

**WARRANTY CLAIMS**

USA Customers: Submit warranty request on [www.leapers.com](http://www.leapers.com) or send request to [utgservice@leapers.com](mailto:utgservice@leapers.com) to obtain an RA# (Return Authorization Number) for warranty process. Please have receipt and serial number ready for your request.

International Customers: Please contact distributor in your region.

**IMPLIED WARRANTIES**

ANY IMPLIED WARRANTIES, INCLUDING THE IMPLIED WARRANTIES OF MERCHANTABILITY AND FITNESS FOR A PARTICULAR PURPOSE, ARE LIMITED IN DURATION TO 90 DAYS FROM DATE OF RETAIL PURCHASE. (SOME STATES DO NOT ALLOW LIMITATIONS ON HOW LONG AN IMPLIED WARRANTY LASTS, SO THE ABOVE LIMITATIONS MAY NOT APPLY TO YOU.)

To the extent any provision of this warranty is prohibited by federal, state, or municipal law which cannot be preempted, it shall not be applicable. This warranty gives you specific legal rights, and you may also have other rights which vary from state to state.

UTG is a registered trademark of Leapers, Inc. In the United States, Canada, European Union, Hong Kong, Japan, and Taiwan. Registration is also in progress for China.



# MODEL 4 ADVANCED SERIES OPTIONAL ACCESSORIES



RB-A687BB



RB-A469TW1



RB-M4HGS



PVC-PGRP368



RB-FGRP170



PVC-M4BTP01  
PVC-16BTP01/11



RB-FGRP168



MNT-HG416S-B



TL-BRNU1-TW1



MNT-750



MNT-950RS02-B



SOFT-M4MTBD



MNT-HG416SA



MNT-992



MNT-993



MNT-A95



MNT-995



MNT-995TR



MNT-HGR16S



MNT-BR101TR



MNT-990T



MNT-GBQR04A



MNT-950



MNT-168S



SCP-EDS21



SCP-RD30RGWL



SCP-RD30RGWS



SCP-440MDLWTS



SCP-RD40RGW



SCP-420M



SCP-420MRG



SCP-T168



SCP-432MDL3R



SCP-432AOMDL2



SCP-432M1



SCP-RD25RGW



TL-BP69S

TL-BP08ST



LT-TL099PR1



LT-TL101



SCP-LS168



SCP-AG5131



**UTG<sup>®</sup> SPORT**

**WWW.LEAPERS.COM**

Email: [utgservice@leapers.com](mailto:utgservice@leapers.com)