


Daisy®
FIRST IN AIRGUNS.

POWER LINE®

MODEL 717

Single Pump Pneumatic

OPERATION MANUAL

.177 Cal. (4.5 mm) Lead Air Gun Pellets 



(Left Hand Grips Available No. 5822)

CAUTION: NOT A TOY. ADULT SUPERVISION REQUIRED. MISUSE OR CARELESS USE MAY CAUSE SERIOUS INJURY OR DEATH. MAY BE DANGEROUS UP TO 218 YARDS (200 METERS).

THIS IS A HIGH POWER GUN RECOMMENDED FOR USE BY THOSE 16 YEARS OF AGE OR OLDER. READ ALL INSTRUCTIONS BEFORE USING. THE PURCHASER AND USER SHOULD CONFORM TO ALL LAWS GOVERNING USE AND OWNERSHIP OF AIR GUNS.

WARNING: THIS GUN CAN CAUSE DEATH. READ AND FOLLOW THE INSTRUCTIONS CAREFULLY. DO NOT LOAD A PELLET INTO THE CHAMBER UNTIL YOU ARE READY TO SHOOT. IF YOU DO LOAD A PELLET AND DECIDE NOT TO SHOOT, REMOVE IT EITHER MANUALLY OR BY SHOOTING IT IN A SAFE DIRECTION. AN UNCOCKED, UNLOADED GUN IS SAFEST. ACCIDENTS HAPPEN FAST, AND ACCIDENTALLY INJURING OR KILLING SOMEONE IS A TERRIBLE THING. SHOOT SAFELY.

The Power Line Model 717 is a powerful target air pellet pistol. It should be treated with the respect you would give any powerful gun.

The Air Pistol Shooting Guide section of this manual is important to the care and safe handling of any gun. READ THIS SECTION. Follow the safety rules in this section and make certain that anyone using your pistol follows the safety rules.

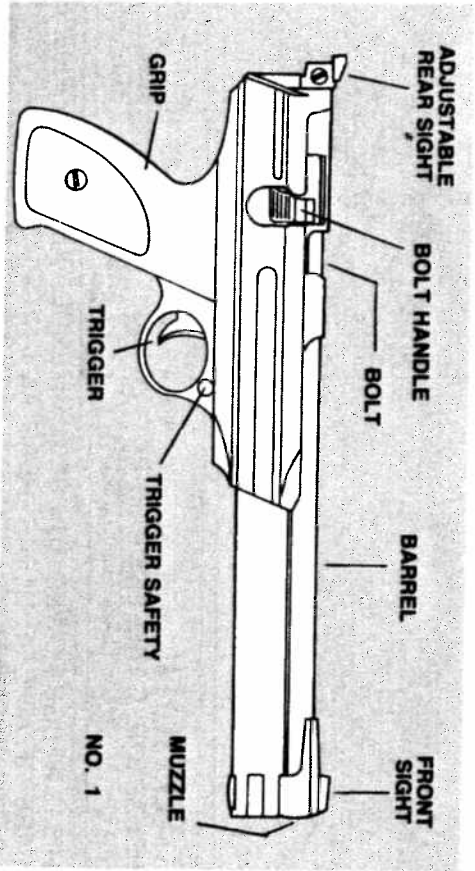
Although your new Daisy is not a firearm, it is a gun and should be treated with care and respect. Always remember, the first and most important safety on any gun is the shooter. All safeties are mechanical devices and the shooter is the only part of the system that can make a gun safe—or unsafe. DON'T DEPEND ON MECHANICAL SAFETIES; think ahead and avoid situations that might lead to accidents.

Guns differ in their operations and you are never ready to fire any gun until you are thoroughly familiar with it. Read the following operating instructions and WITHOUT LOADING ANY AMMUNITION, proceed several times through the operating steps with your gun (dry fire the gun at a safe target) so that you will be able to operate the Power Line 717 properly and safely.

FOR YOUR SAFETY AND THE SAFETY OF OTHERS, READ COMPLETE OPERATING INSTRUCTIONS BEFORE ATTEMPTING TO SHOOT THE PISTOL.

OPERATION STEPS

1. PUT "ON SAFE"
2. OPEN BOLT
3. PUMP
4. LOAD
5. CLOSE BOLT
6. AIM
7. TAKE "OFF SAFE"
8. FIRE



1

Step 1. PUT "ON SAFE"

Push trigger safety (Drawing No. 1) from left to right until no red is showing. In this position, the pistol in proper working condition cannot be fired by pulling the trigger.

NOTE: The trigger safety is not automatic. It will only do its job when you do yours. **REMEMBER, THE BEST SAFETY IS PROPER GUN HANDLING.**

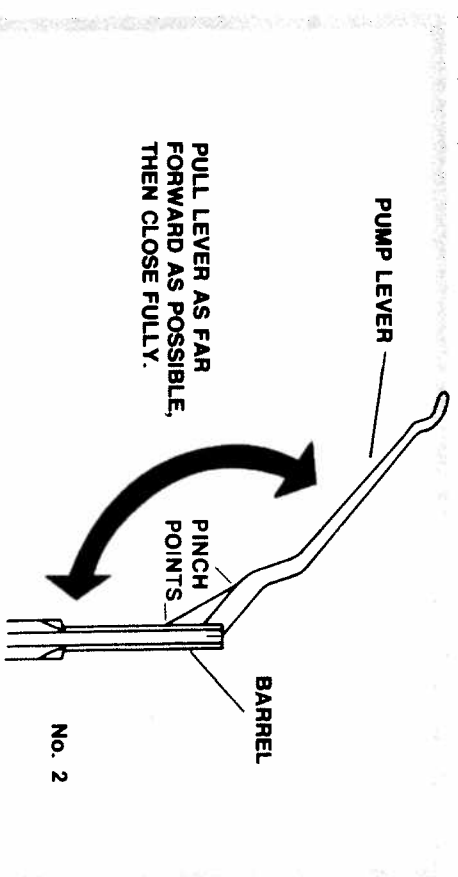
Step 2. OPEN BOLT

Lift up and pull straight back on bolt handle (Drawing No. 1). The gun cannot fire with bolt open.

Step 3. PUMP

With bolt open, pump gun only once to achieve maximum velocity. Any additional pumping will not increase velocity and may damage the gun (Drawing No. 2)

CAUTION: After gun has been pumped up once, do not attempt to pump again or open pump lever as the lever is under pressure and could fly open, possibly causing injury. Also be careful to keep fingers out of cocking mechanism when closing lever. (See "pinch points" Drawing No. 2).



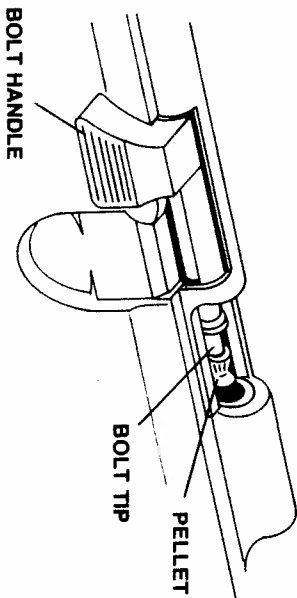
Step 4. LOAD

With bolt back, load one pellet (solid end forward) into feed track (Drawing No. 3).

Step 5. CLOSE BOLT

Push bolt fully forward, then push bolt handle down. The gun is now ready to fire. **CAUTION:** It is very important that the bolt be completely closed. Never close the bolt while the trigger is being pulled. If the gun does not fire when the trigger is pulled, open the bolt by pulling the bolt handle all the way back and put "on safe" immediately, then close the bolt completely and continue to Step 6.

2



No. 3

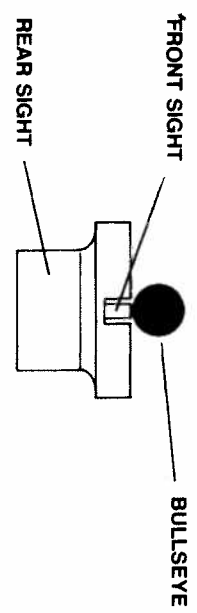
Step 6. AIM

Point gun toward target. Pick a target backstop that cannot be penetrated. (Take final sighting after Step 7. - see Drawing No. 4 for correct sight picture).

Step 7. TAKE "OFF SAFE"

Take trigger safety "Off Safe" by pushing from right to left so that red is showing. (Take final sighting.)

USE THE CORRECT SIGHT PICTURE EACH TIME YOU FIRE THE GUN



No. 4

Step 8. FIRE

The gun can be safely fired after properly completing the operating steps.

NOTE: Bolt must be completely closed, as indicated in Step 5.

IMPORTANT: Do not leave gun in pumped up condition for more than one hour or air release valve may be damaged and cause a permanent leak.

CAUTION: If a pellet does not fire after completing the operating steps, the gun is jammed. This is a dangerous condition.
Open bolt at once, then repeat all operations except Step 4 (do not load pellet). If a projectile still does not fire, follow these steps carefully:

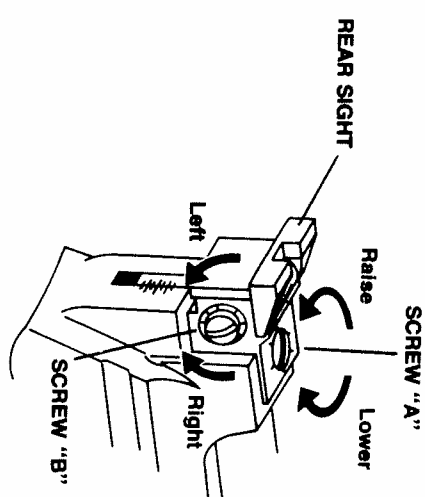
- First, open bolt.
- Second, put trigger safety "on safe."
- Third, clear barrel by running a size .177 cleaning rod through from the muzzle end. Be careful not to damage the bolt tip by pushing the rod through too hard.
- Fourth, repeat operating steps. Make sure a pellet is fed into firing position. If after following the firing procedure the projectile is not fired, return your gun to the Service Depot. (See "Repair of Gun" section.)

UNLOAD PELLETS:

The bolt does not extract a pellet. You must point the gun in a safe direction and fire it, or open bolt and insert a .177 cleaning rod in muzzle end and push the pellet out.

REAR SIGHT ADJUSTMENT

ELEVATION (up or down). To move point of impact up, raise sight by turning screw "A" (Drawing No. 5) counterclockwise. To lower the point of impact, lower sight by turning screw "A" clockwise.



No. 5

WINDAGE (right or left). To move point of impact left, move the sight left by turning screw "B" (Drawing No. 5) counterclockwise. To move sight to the right, turn screw "B" clockwise.

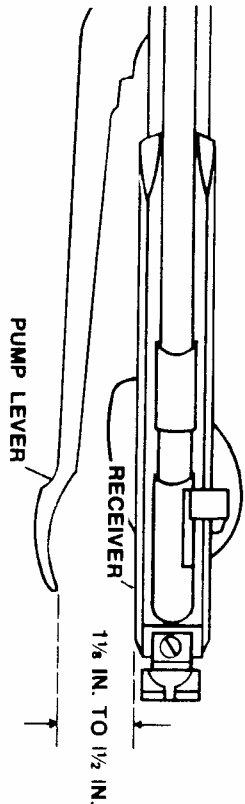
NOTE: At 15 ft., one revolution of adjusting screw "A" or "B" will move the point of impact 353 inch (approximately 23/64 inch.)

At 33 ft., one revolution of adjusting screws will move point of impact .777 inch (approximately 23/32 inch).

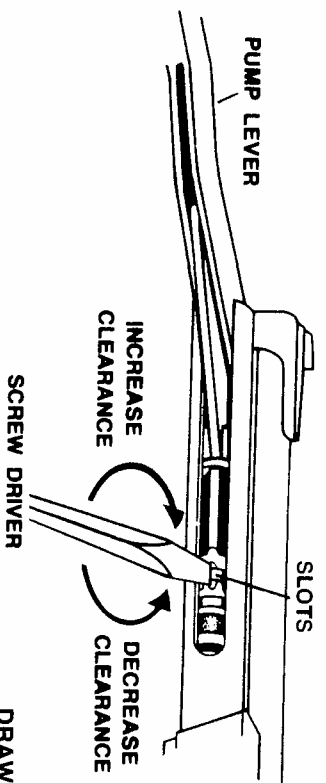
PUMP ADJUSTMENT

IMPORTANT: After several thousand shots, the length of the pump lever stroke may need adjustment to maintain maximum performance. To check and make needed adjustments, follow these steps:

1. After firing the gun, open the pump lever and close to the point where a slight resistance can be felt.
 2. Measure the distance between the receiver and end of the pump lever as shown in Drawing 6. This dimension should be between 1 1/8 and 1 1/2 inches. If the clearance dimension on your gun is within this range, no adjustment is required. If the clearance dimension is not within this range, proceed to Step 3.
 3. With the pump lever in the fully open position, place a screwdriver with a large blade between slots in the threaded portion of the pump. See drawing 7.
 - a) To increase the pump lever clearance, rotate the screwdriver clockwise.
 - b) To decrease the pump lever clearance, rotate the screwdriver counterclockwise.
- CAUTION:** Adjusting the pump lever to a clearance dimension larger than 1 1/2 inches will overstress the gun and will result in permanent damage to the gun. Maximum performance will be achieved by adjusting the clearance as specified in Step 2.



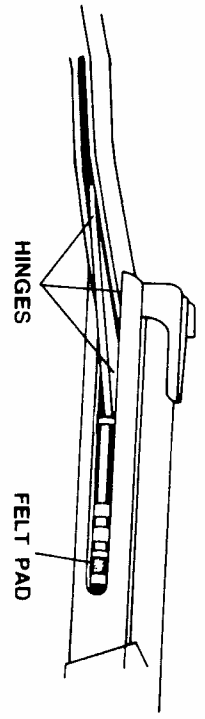
DRAWING 6



DRAWING 7

PROPER CARE

To maintain top shooting performance, lightly oil the three pumping lever hinges and the felt pad on the pump rod every 1,000 shots (Drawing 8). Use a 10, 20 or 30 weight non-detergent, automotive motor oil. **DO NOT** use light household type oils or aerosol type spray lubricants since they may contain substances or additives harmful to the rubber seats or other components. Clean the exterior by wiping with a lightly oiled, soft, clean cloth. The screws are a gun blue finish; wipe with oil to prevent rust.



No. 8

STORAGE

Before putting the gun away in a cabinet or gun rack, shoot the gun at a safe target to make sure the pump system and barrel are empty; place the trigger safety "On Safe" and clean, dry, and oil the gun.
Store ammunition in a separate location to keep it away from untrained shooters.

MODIFICATION - CAUTION:

The components of this gun were engineered to deliver optimum performance. Any modification or tampering with a gun may cause a malfunction and may make it unsafe to use. Any change in performance, such as lowered trigger force and shortened trigger travel, indicates possible wear, and such should be inspected, replaced, or properly repaired by qualified personnel. Any gun that has been dropped should be checked by qualified personnel to insure that its function has not been affected.

REPAIR OF DAISY GUNS

WARNING: A GUN THAT IS NOT OPERATING PROPERLY MAY BE DANGEROUS. IT SHOULD BE KEPT SAFELY FROM USE BY ANYONE UNTIL REPAIRED OR DESTROYED. DO NOT TRY TO TAKE THE GUN APART. IT IS DIFFICULT TO REASSEMBLE. AND IMPROPER REASSEMBLY CAN CAUSE A HAZARDOUS CONDITION.

GUNS IN WARRANTY

LIMITED ONE YEAR WARRANTY

For one year from date of purchase, Daisy will repair or replace and return this gun, free of charge, if defective in material or workmanship. Service is available by returning the gun to Daisy Manufacturing Co., Inc. Attach to the gun your name, address and telephone number, description of problem and proof of date of retail purchase (sales slip). Package and send to Daisy Manufacturing Co., Inc., transportation prepaid. This Warranty gives you specific legal rights, and you may also have other rights which vary from state to state.

GUNS OUT OF WARRANTY

If your Daisy needs repair, attach to the gun your name, address, and description of problem. Package and send transportation prepaid to Daisy Manufacturing Co., Inc. Service Department. Daisy will repair the gun or replace it with a reconditioned gun of the same model, if available, otherwise with a model of equivalent quality. A charge of \$22.00 will be made for repairing or replacing your gun.

Any gun should be accompanied by check or money order (not cash) in payment of the charge. If payment is not included, you will be invoiced for the charges plus a handling charge of \$4.00, and upon receipt of payment the gun will be shipped to you.

Exploded gun parts drawings and price lists are available from Daisy Service Department. Please make sure you state model number stamped on barrel. Service and parts charges are subject to change without notice.

Daisy Manufacturing Co., Inc.
Service Department
2111 South 8th
Rogers, AR 72757

NOTE: Daisy spring air-powered B&B guns and pistols do not come under the provisions of the "Gun Control Act of 1968" and can be mailed.

MODEL 717 PISTOL SPECIFICATIONS

AMMUNITION	.177 Cal. (4.5 mm) - Lead Pellets
STYLE	Custom Target
ACTION	Single Pump Pneumatic
CALIBER	.177 Cal. (4.5 mm)
FEED	Single Shot Bolt Action
MAXIMUM PUMP FORCE	17 lbf. (75.6 N)
REAR SIGHT	Micrometer Elevation & Windage Adjustments
SIGHT RADIUS	12.75 in. (32.39 cm)
WEIGHT	2.8 lb. (1.3 kg)
BARREL	.177 Cal., 9.61 in. long (24.41 cm)
TRIGGER TRAVEL	.10 in. (.25 cm)
TRIGGER PULL FORCE	4.0 lbf. (17.8 N)
TARGET DISTANCE	33 ft. (10 m)
VELOCITY	.177 Cal. - 385 fps (117 mps)
MUZZLE ENERGY	.177 Cal. - 2.5 ft. lb. (3.4 J)
MAXIMUM RANGE	.177 Cal. - 218 yds. (200 m)