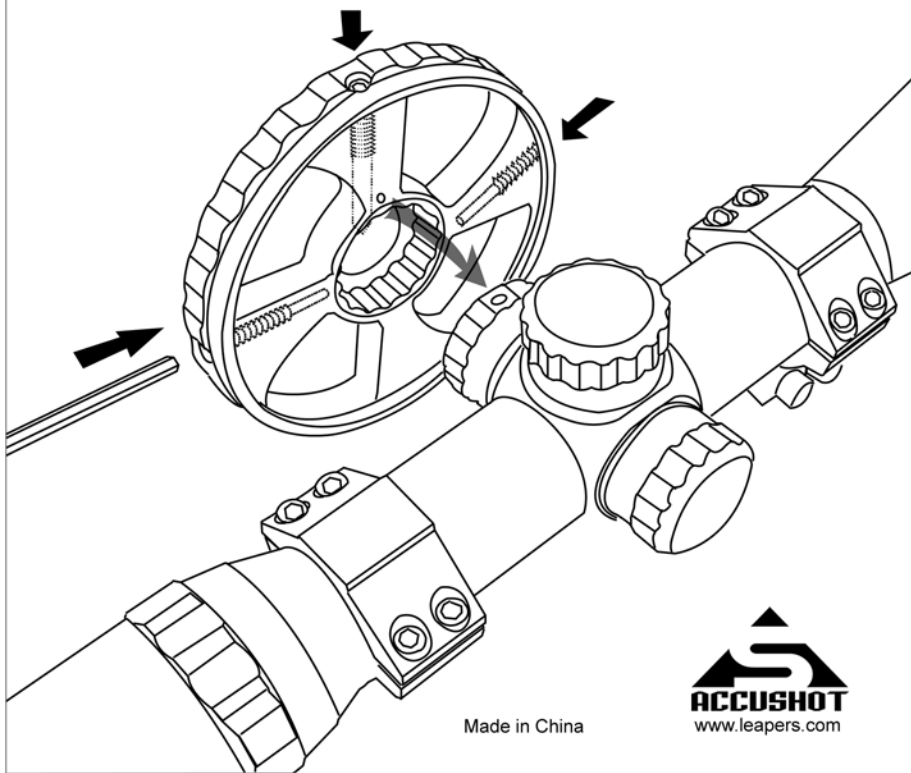


ACCUSHOT Side Wheel Fitting Instructions

Line up the small silver dot on the inside of the wheel with the recess in the parallax adjustment turret of the scope. Push the wheel on and tighten up the three allen screws in the outside of the side wheel. Be careful not to over-tighten as this could damage the parallax turret and prevent it from operating smoothly.



Made in China

ACCUSHOT
www.leapers.com