



E-90

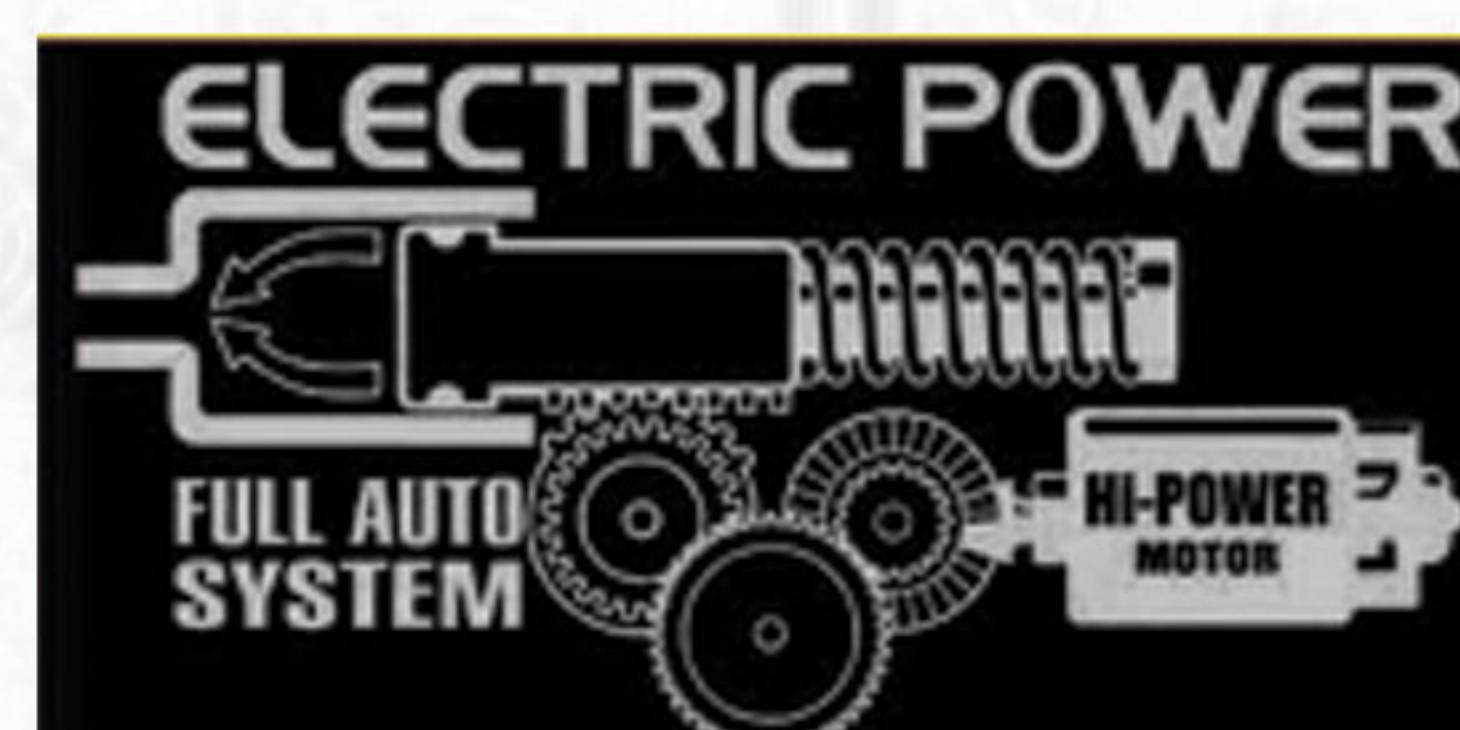


Full Metal Gearbox Design

Compact and Lightweight

Ultimate CQB Weapon

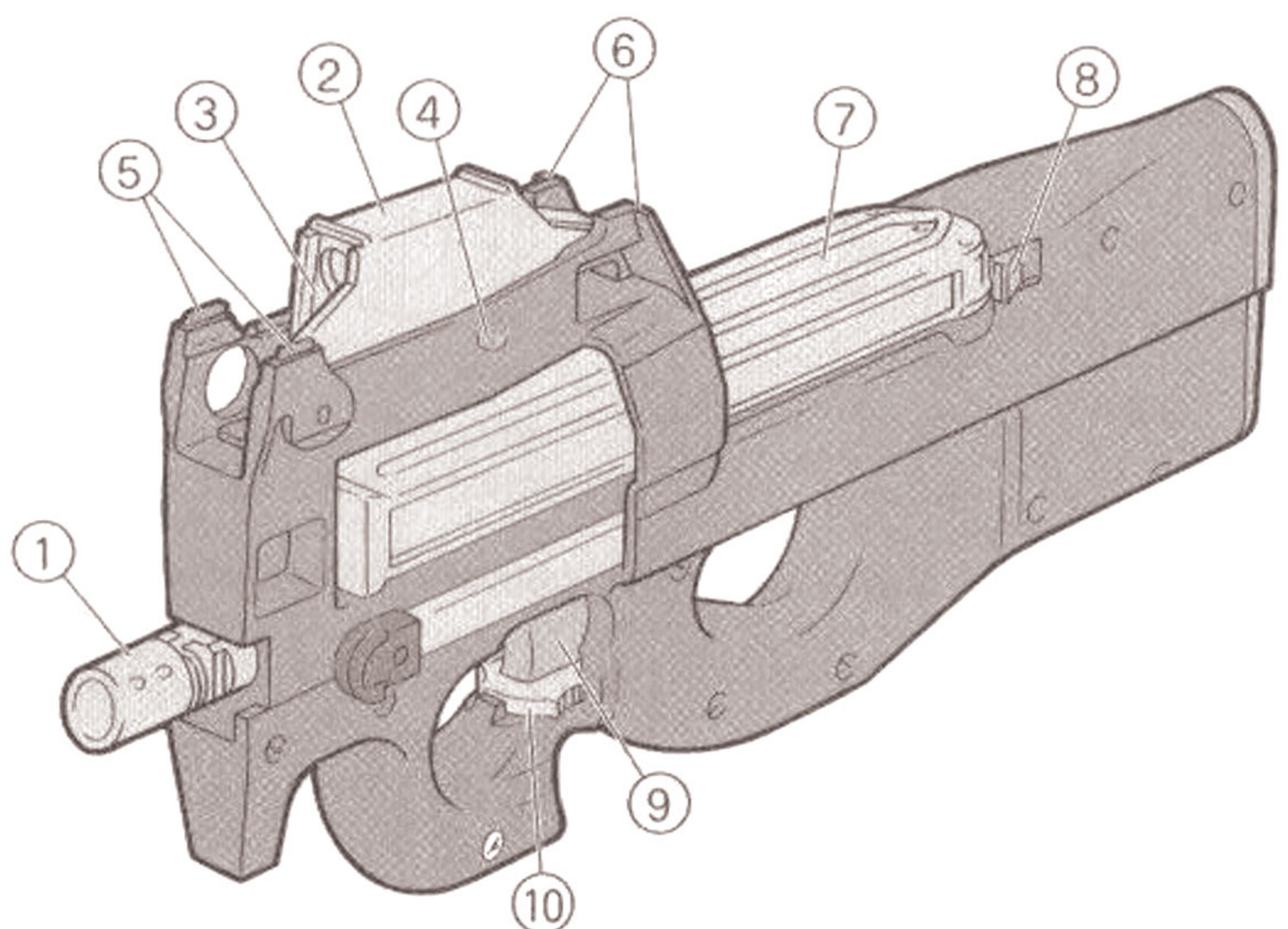
Using The Version 6 Type Gearbox



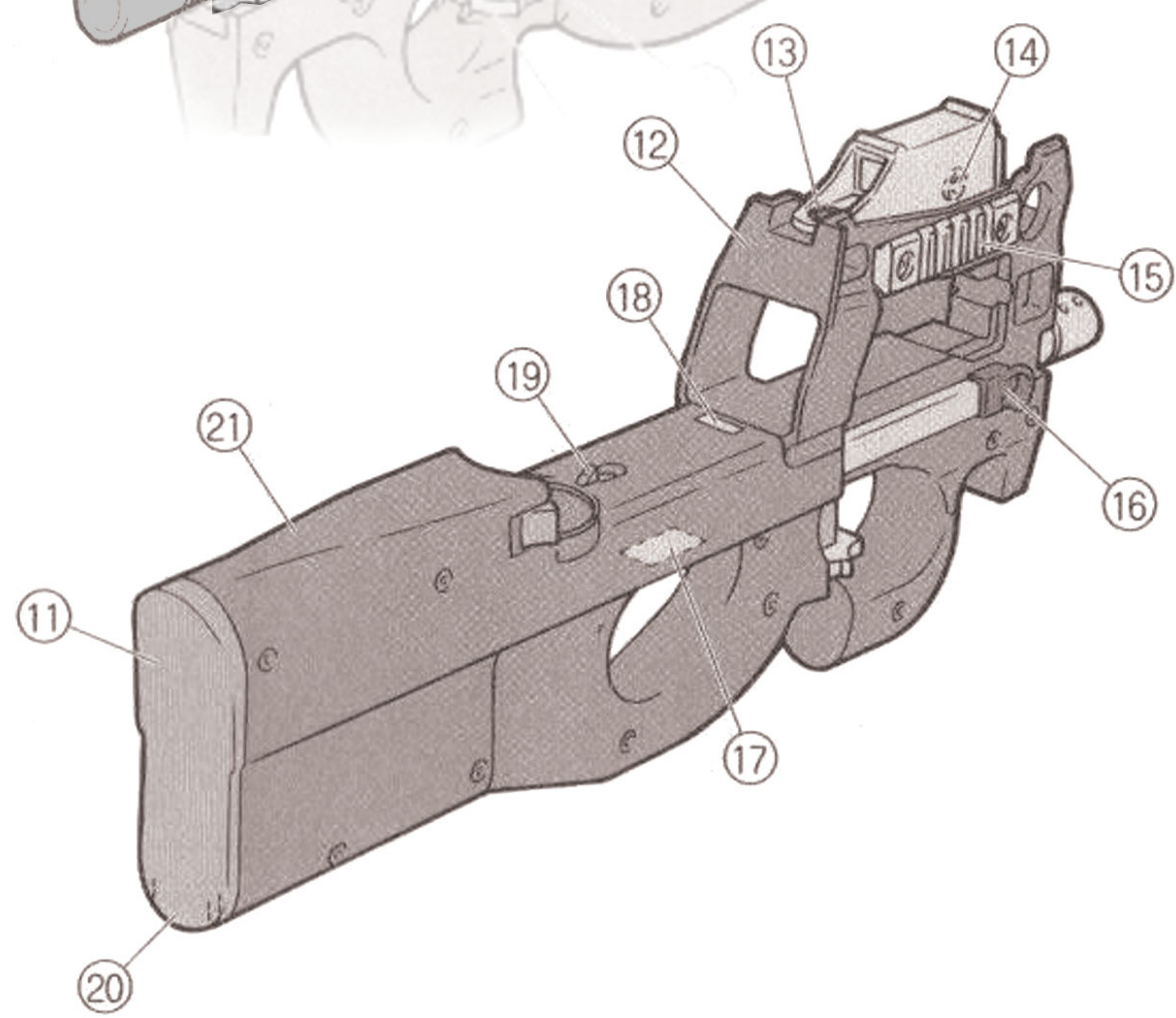
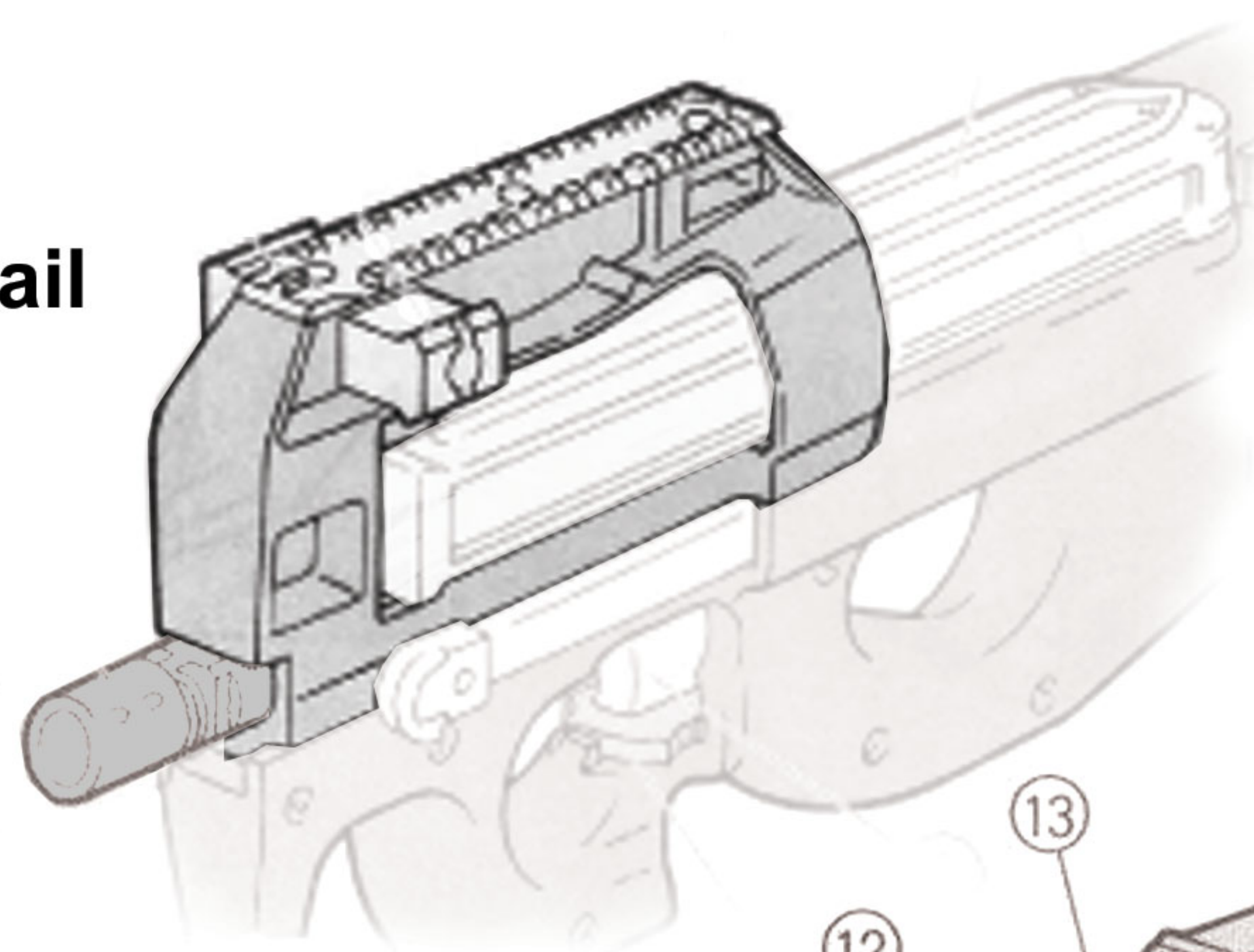
Airsoft Electric Gun - Read Carefully Before Use

Gun Description

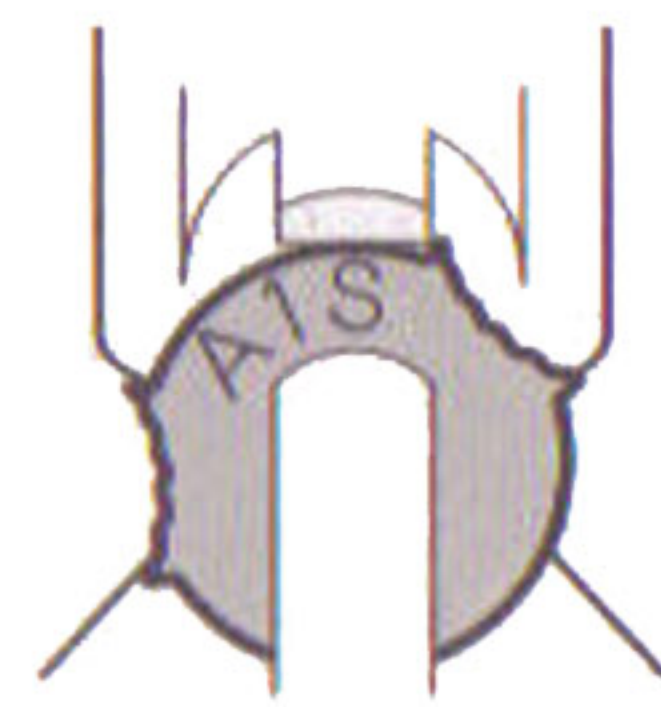
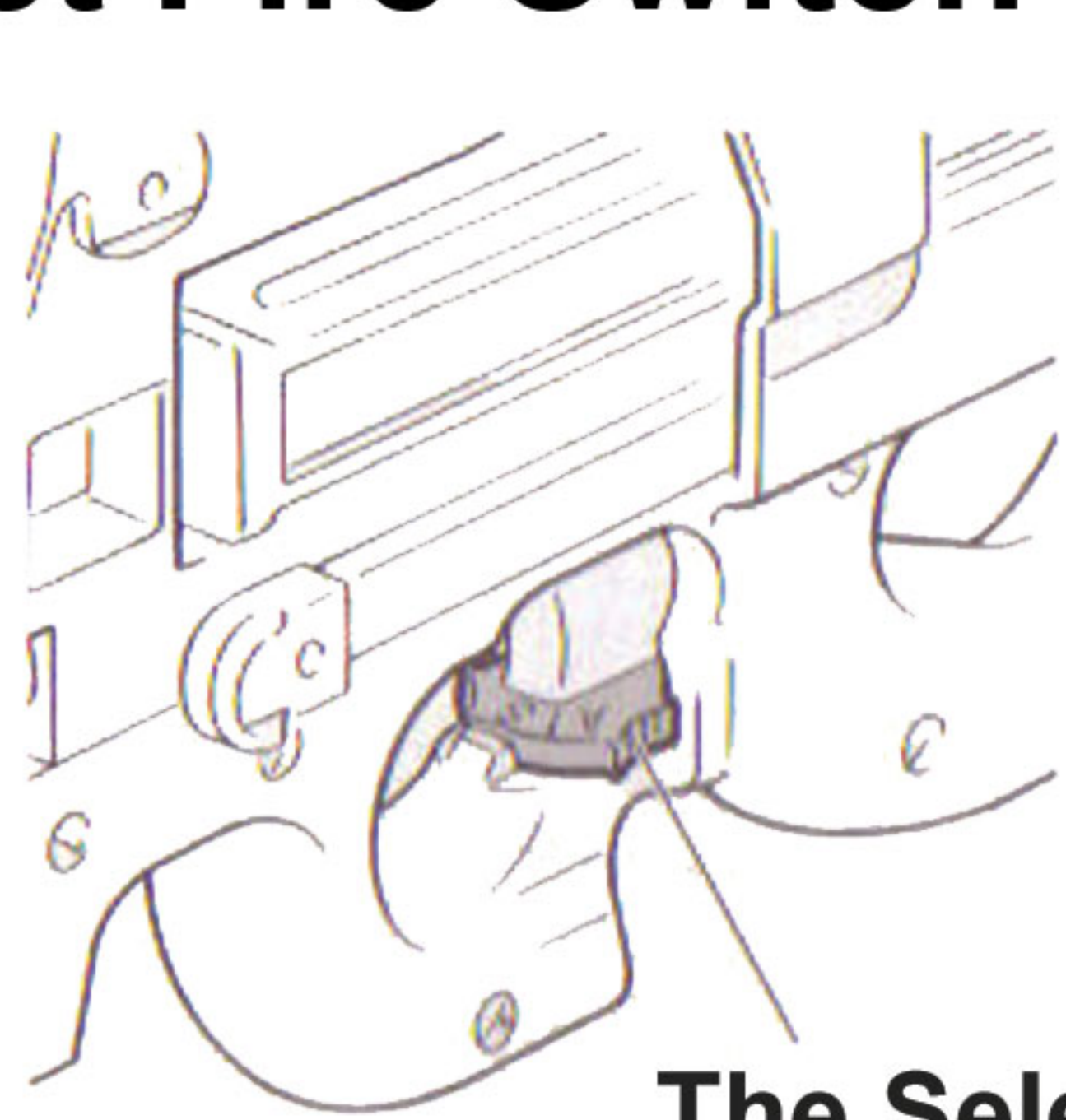
- 1 Flash Hider
- 2 Dot Sight(optional)
- 3 Battery Lid(dot sight)
- 4 Sight Switch(dot sight)
- 5 Front Sight
- 6 Rear Sight
- 7 Magazine
- 8 Magazine Catch
- 9 Trigger
- 10 Select Fire Switch
- 11 Butt Plate
- 12 Sight Receiver
- 13 Elevation Adjustment
- 14 Windage Adjustment
- 15 Mount Rail
- 16 Cocking Handle
- 17 Hop Up Cover
- 18 Receiver Lock
- 19 Hop Up Chamber
- 20 Pad Release Button
- 21 Receiver



Flat Top Rail Receiver



Select Fire Switch



1. Safety ON



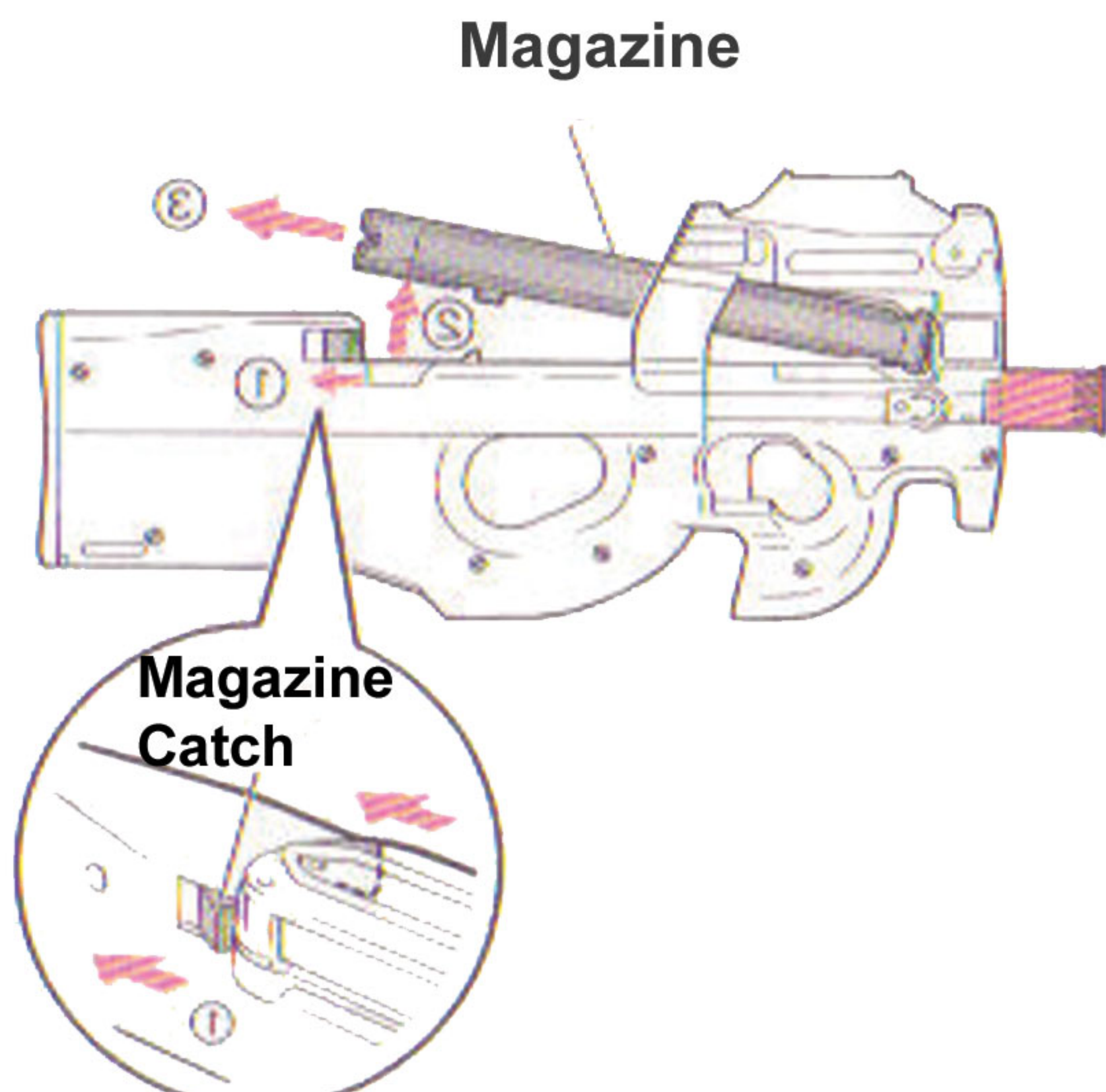
2. Semi-Auto



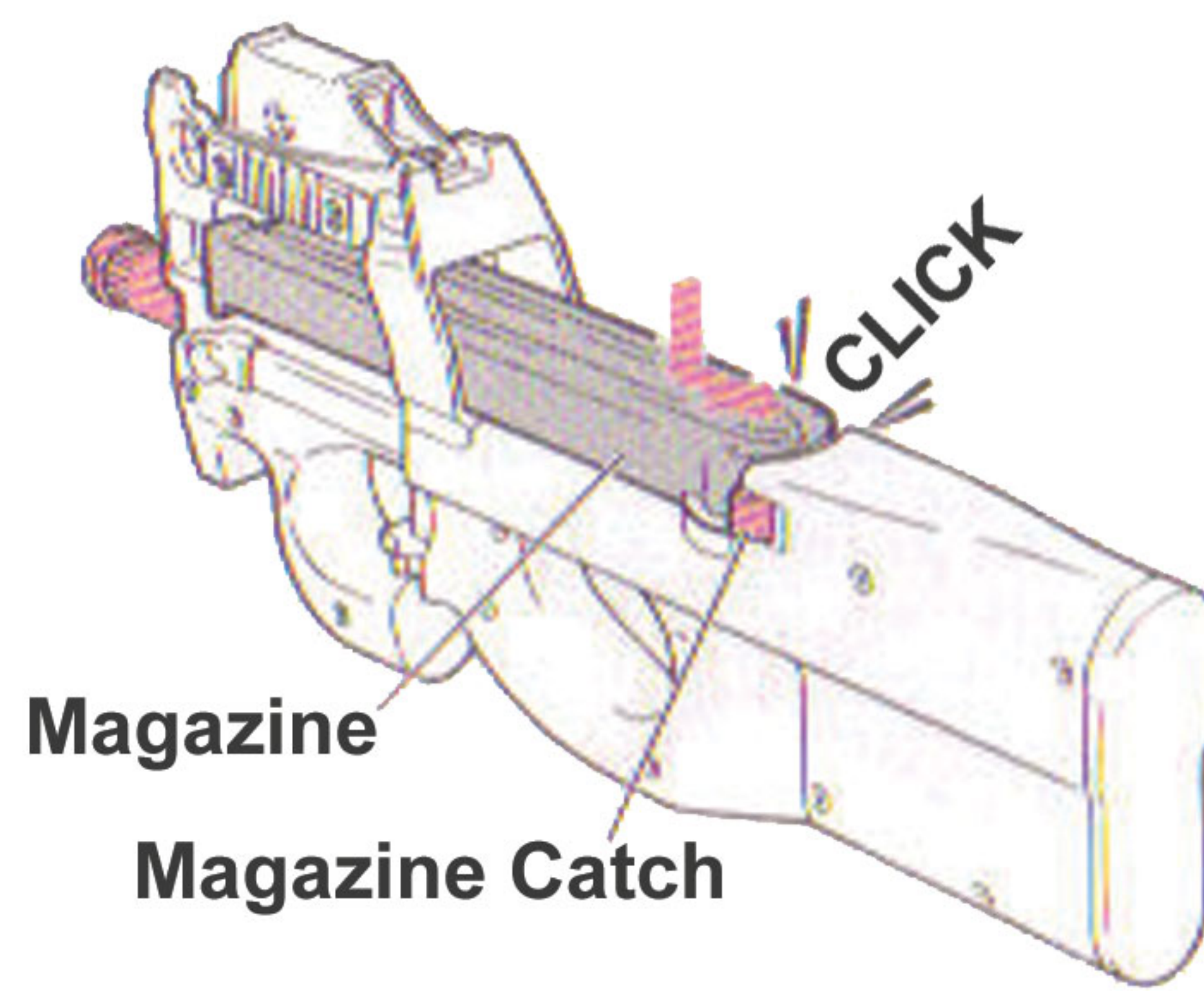
3. Full Auto

The Select Fire Switch is located below the trigger. To use it turn left and right.

Removing and Installing the Magazine

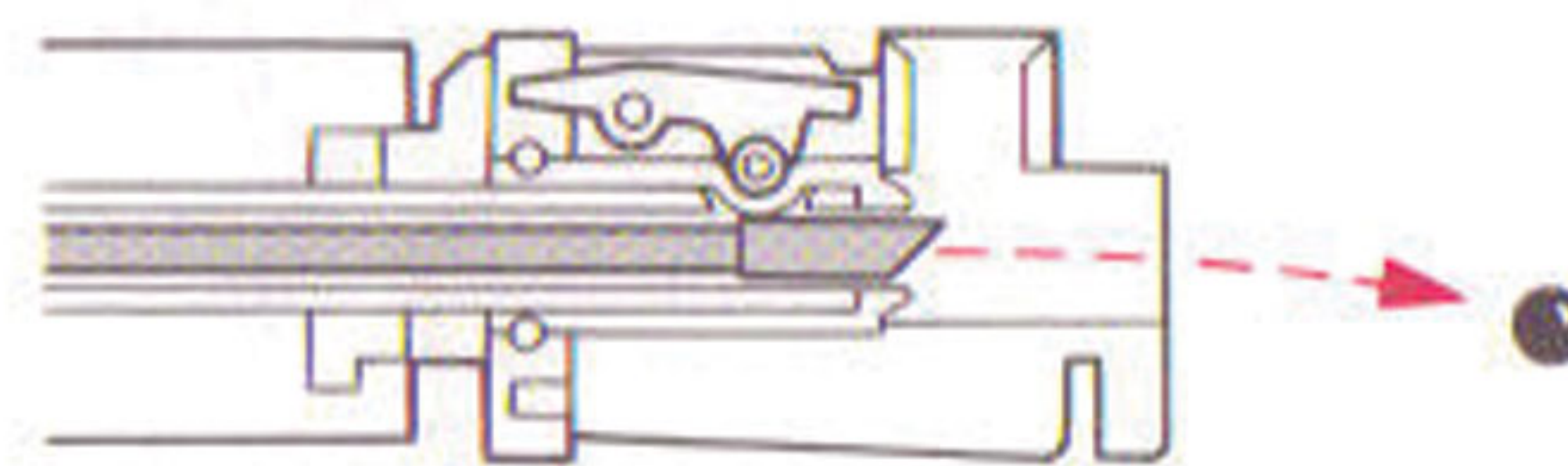
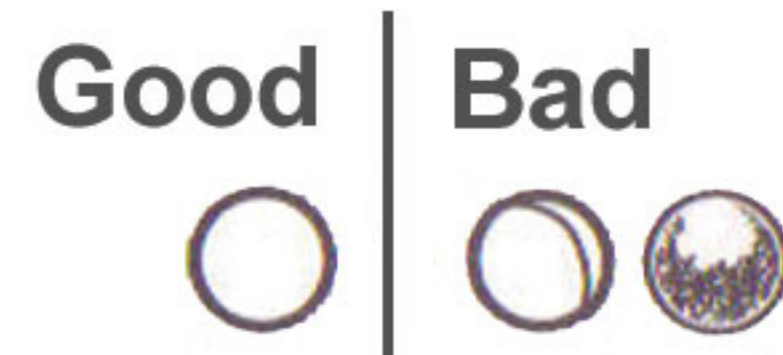


1. Pull both Magazine Catches back.
2. Lift end of Magazine up.
3. Pull back to remove.

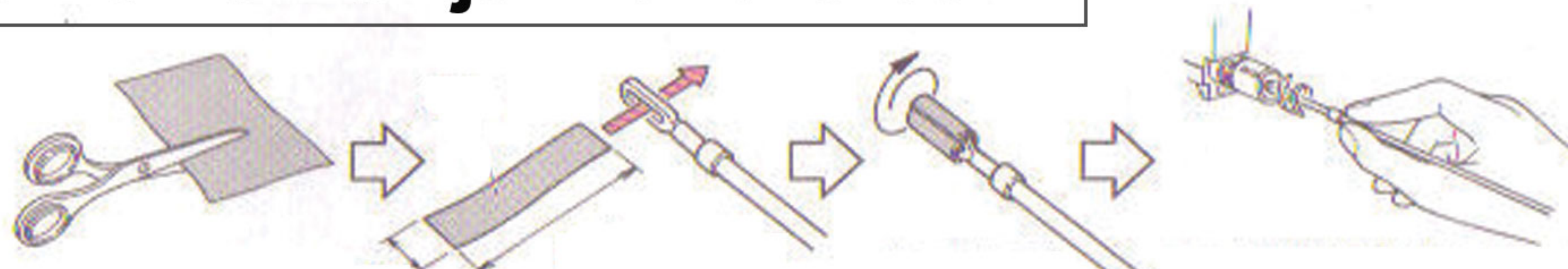


1. Push down then back until a click is heard.

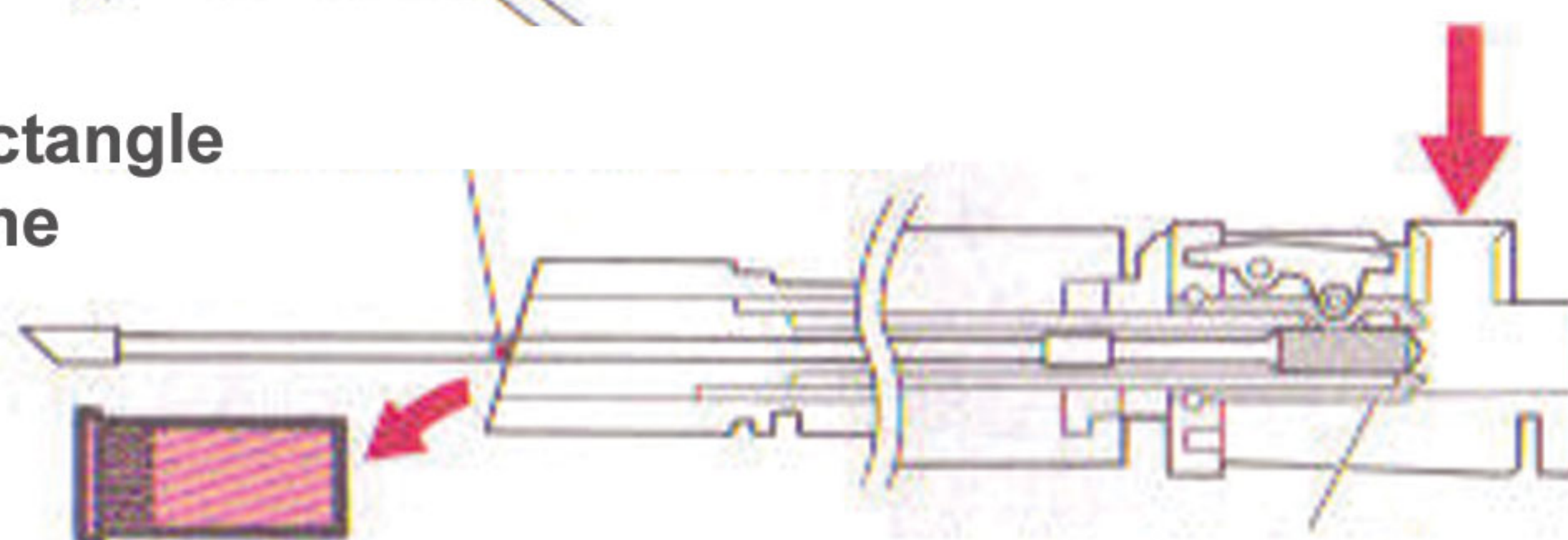
To unjam a bad BB use the angle end to push it backwards out the chamber



The Barrel: Unjam and Clean

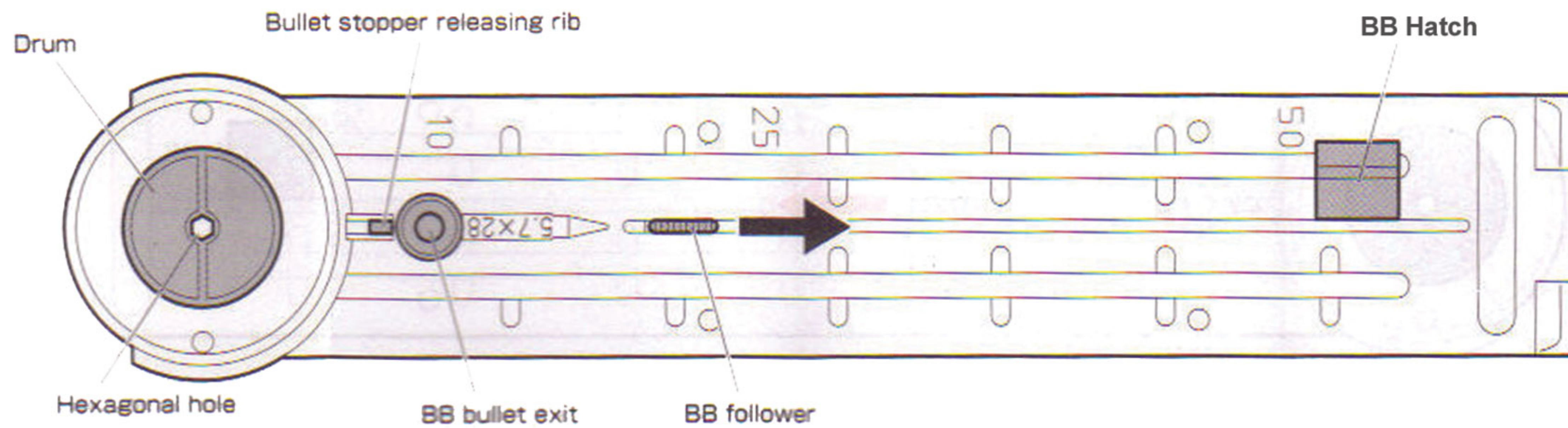


To clean the barrel cut a small rectangle of tissue and gently twist down the barrel. Use caution and turn OFF the hop up.



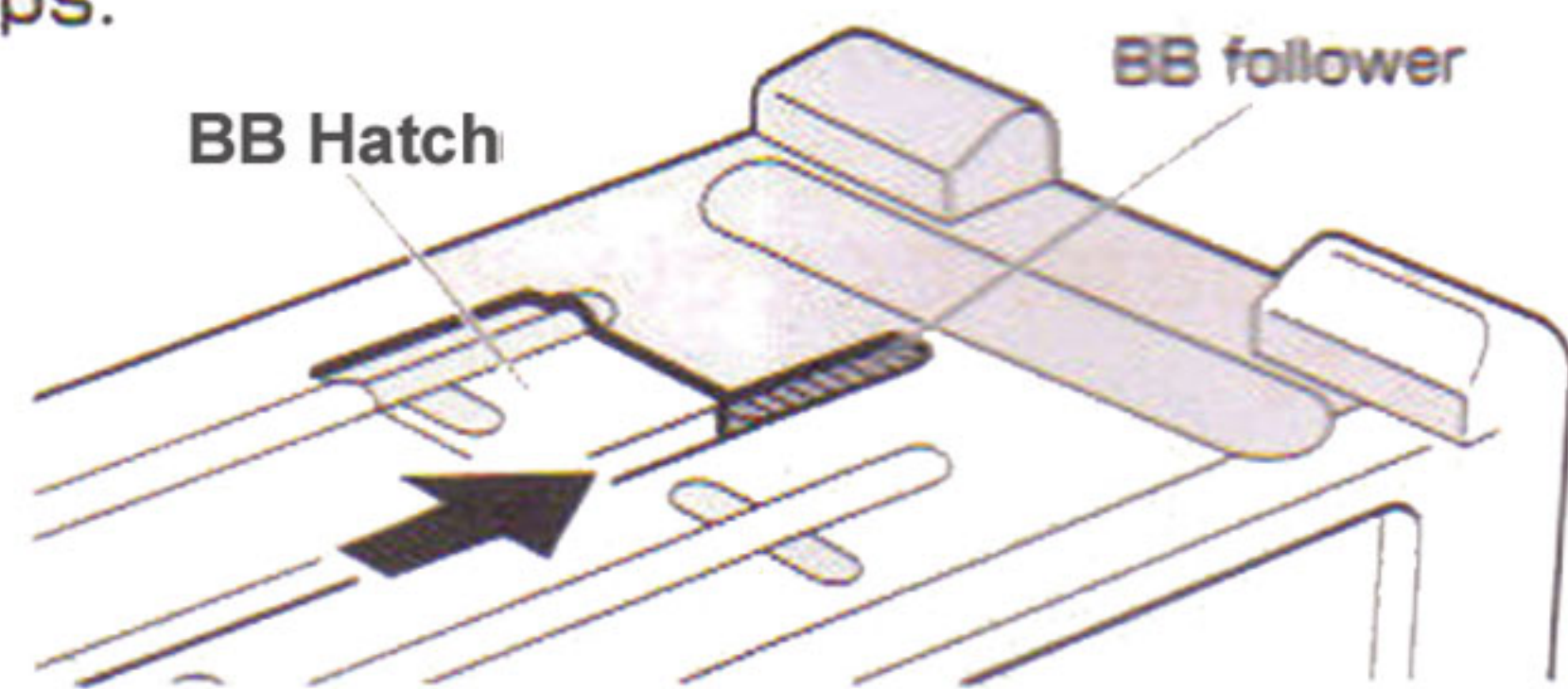
How To Use The Magazine

CAUTION DO NOT open the BB bullet hatch or charge bullets without pulling the BB follower.

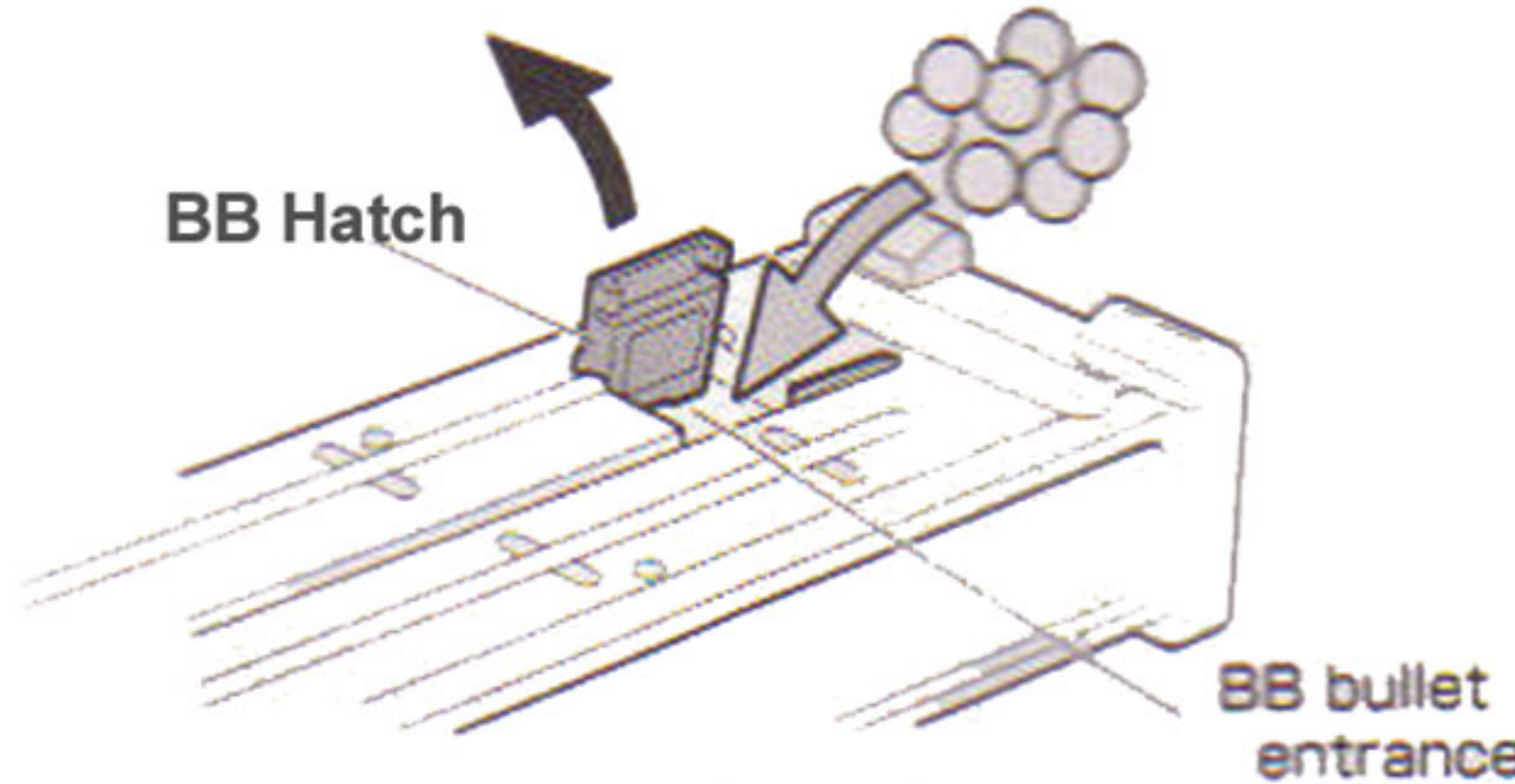


Inside the magazine is assembled extremely accurately. Avoid invasion of dust and dirt into the magazine to prevent malfunctions.

- 1 Pull the BB follower in the direction of the arrow until it stops.

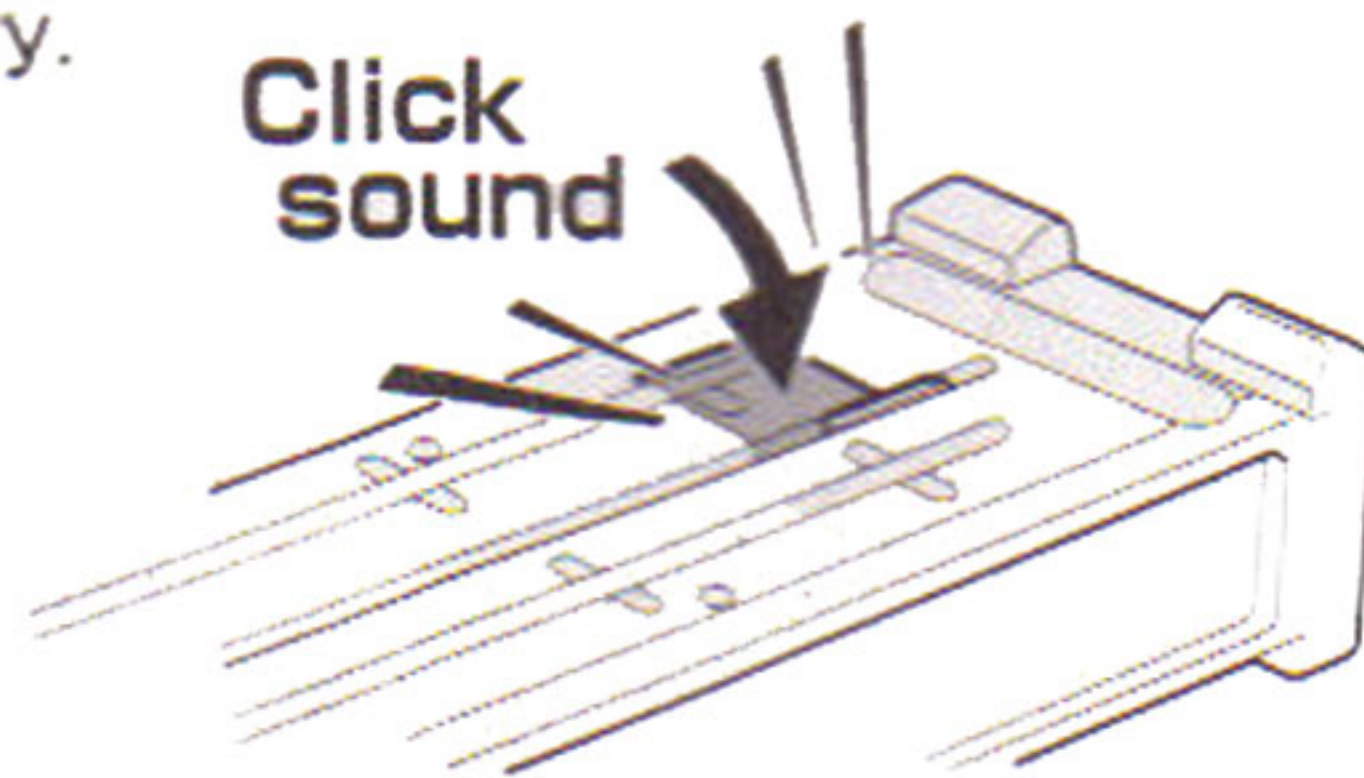


- 2 Open the BB hatch to lock the BB follower and charge BB bullets. The magazine can contain about 300 bullets. (Avoid pressing bullet into the magazine using excessive force.)

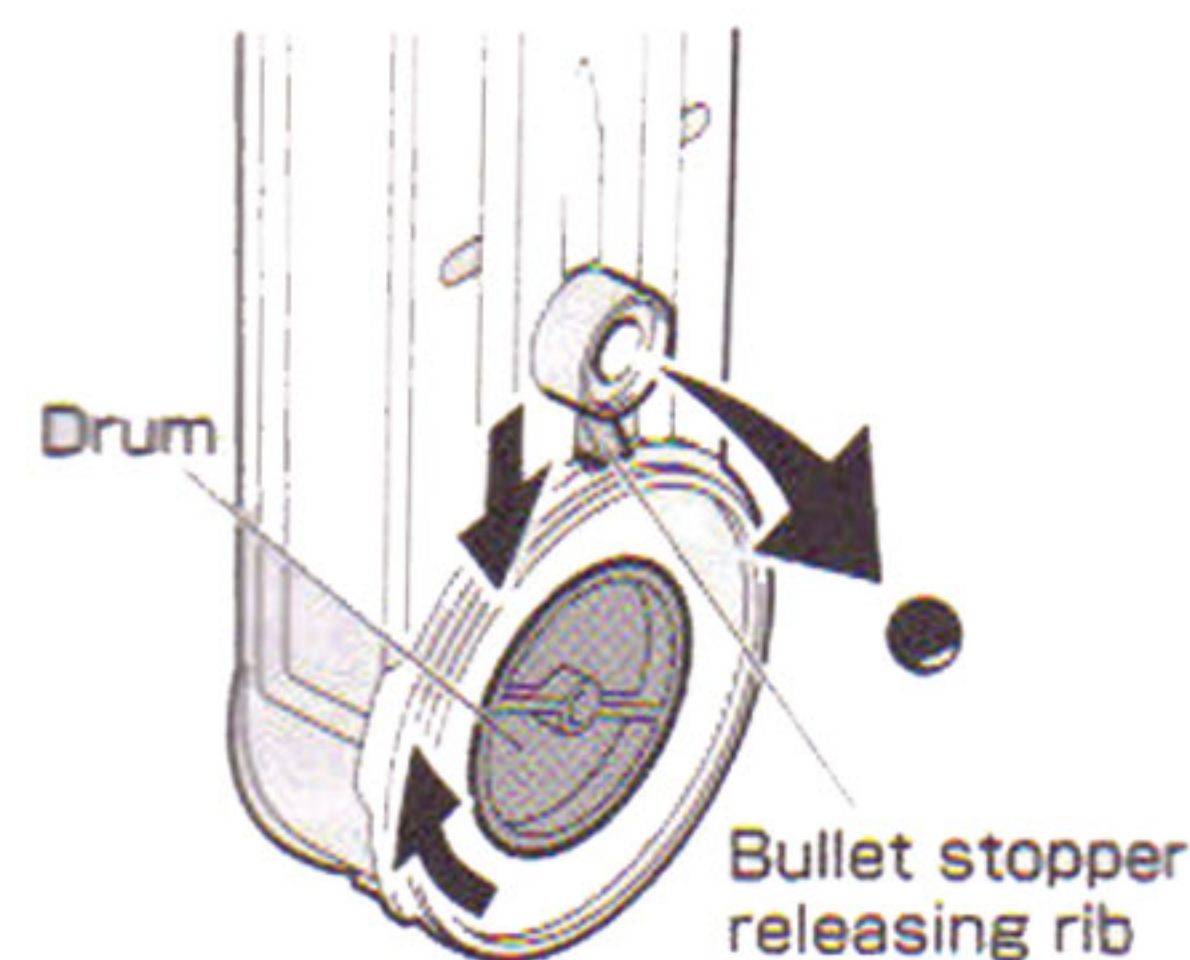


CAUTION Make sure to pull the BB follower until it stops before opening the BB bullet hatch or charging bullets (non-observance may lead to damage).

- 3 Close the BB bullet hatch until it clicks. The BB follower is unlocked and pushes bullets. If charging a limited number of bullets, move the BB follower forward slowly.

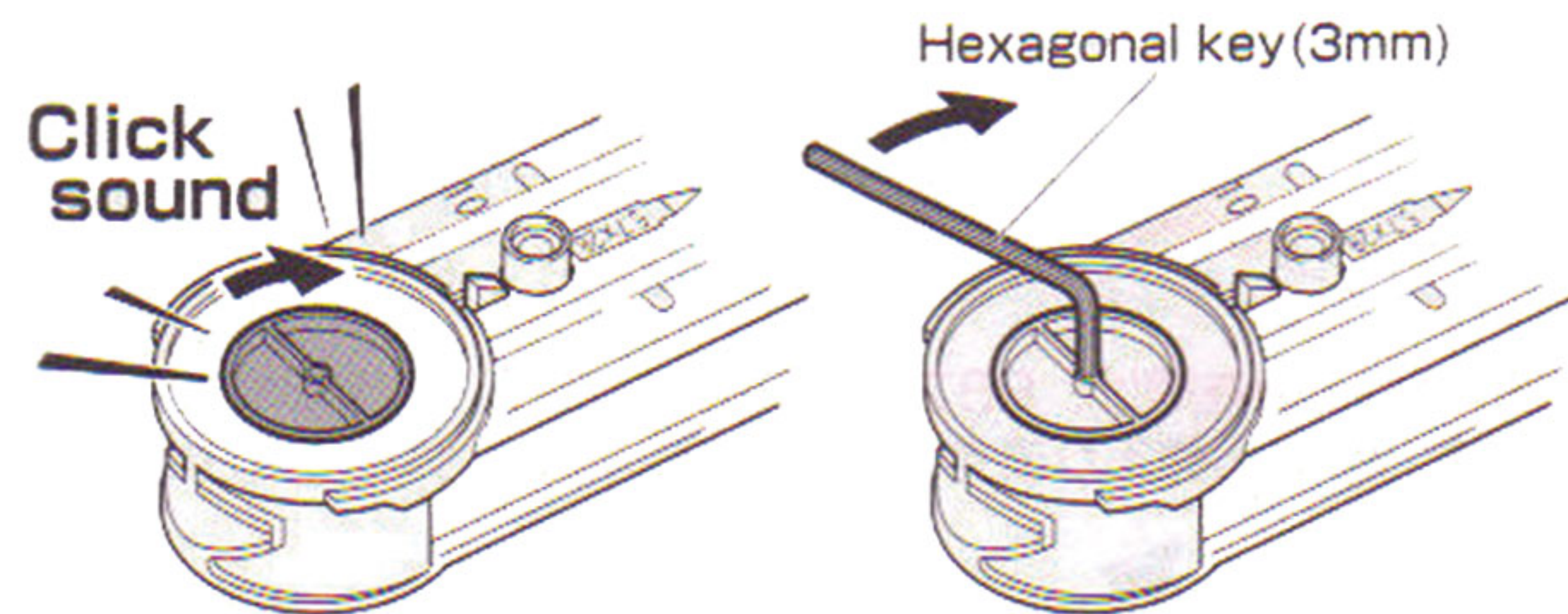


■ To remove the remaining bullets in the magazine, stand the magazine as shown in the figure and turn the drum clockwise while pulling the bullet stopper releasing rib.



- 4 Turn the drum at the bottom until it clicks. Alternatively, insert the adjunctive hexagonal key to the central hexagonal hole and turn the gear (The gear turns without load if only a limited number of bullets exists.)

CAUTION DO NOT turn the gear reversely to avoid damage to the inside parts and the hexagonal hole.



*Turn the gear all the way until the sounds change.

*The mechanism will not be damaged even if you turn the gear excessively.

- 5 Check that BB bullets are moved up to the BB bullets exit and then insert the magazine into the rifle.

●Recovery

Occasionally feed of bullets stops during operation. In that case, detach the magazine and give shocks as shown below while pulling the BB bullet follower 2 or 3 cm, then reattach the magazine.

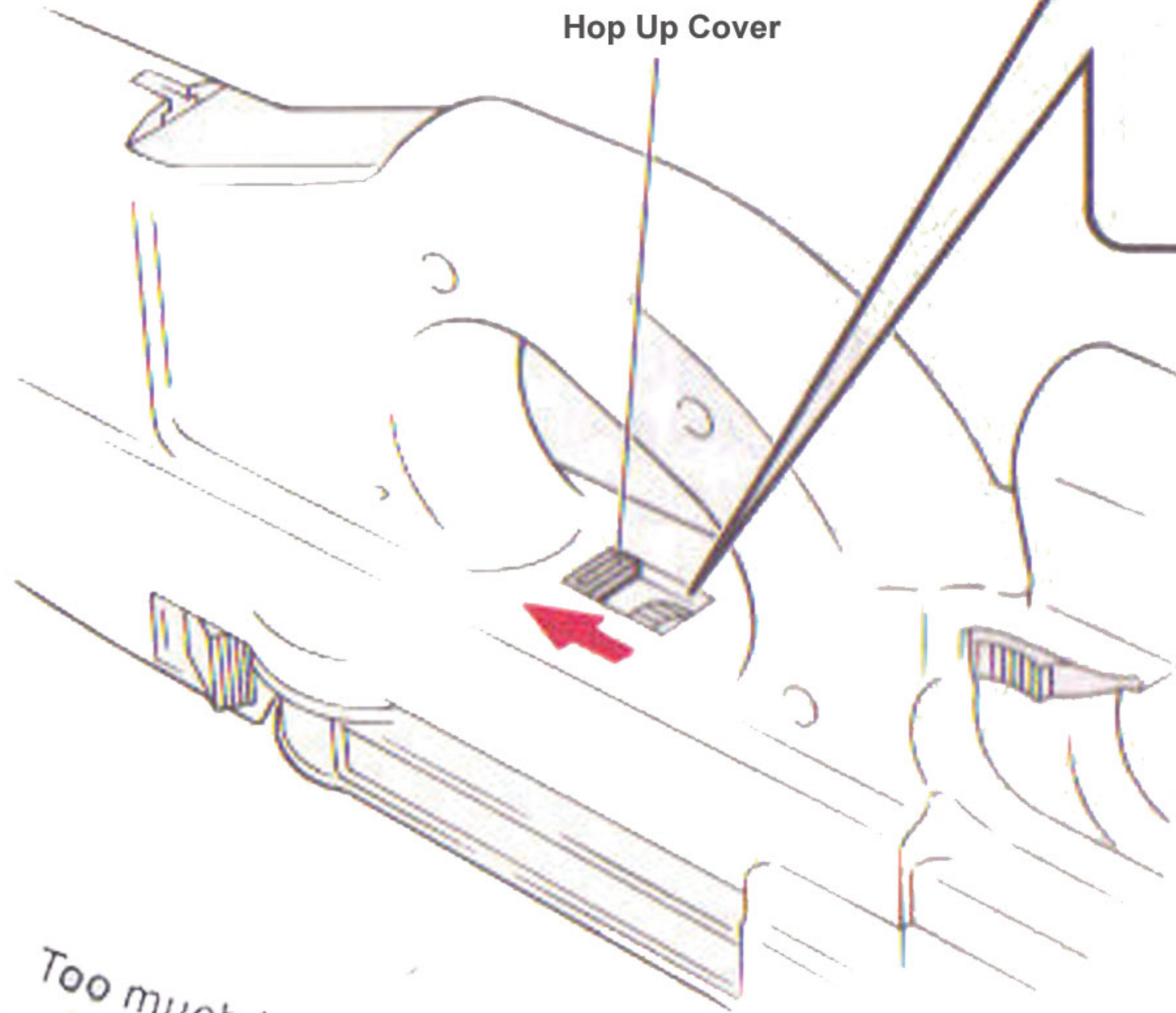
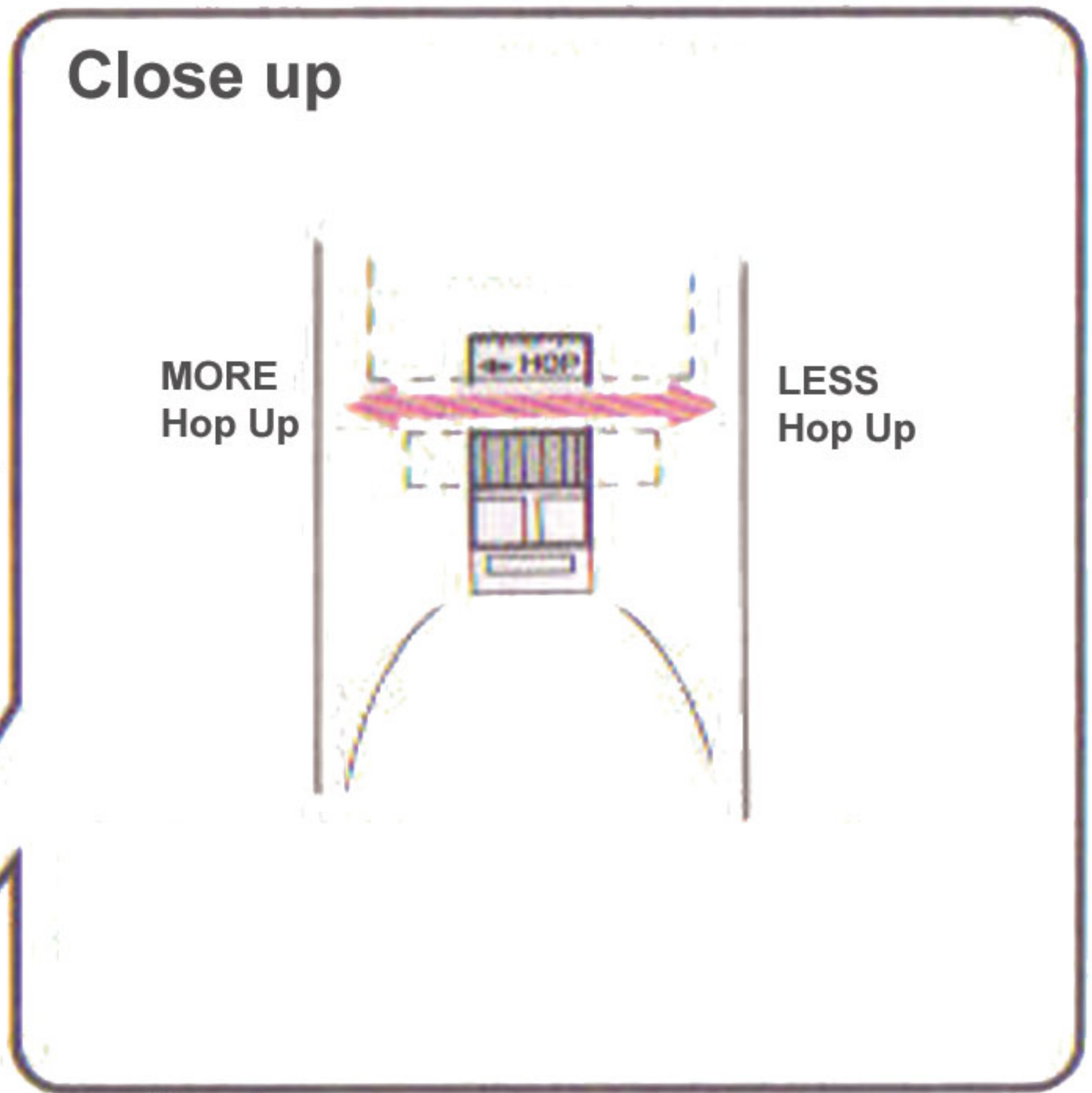


*If feed of bullets does not return to normal after the above, remove all bullets from the magazine to make it empty and lock the BB follower with the BB bullet hatch (refer to Fig. 2), then apply the optional Marui Silicone Oil Spray for 0.5 to 1 second into the magazine. Please be informed that the spraying silicone oil may adversely affect the hop-up operation for a while.

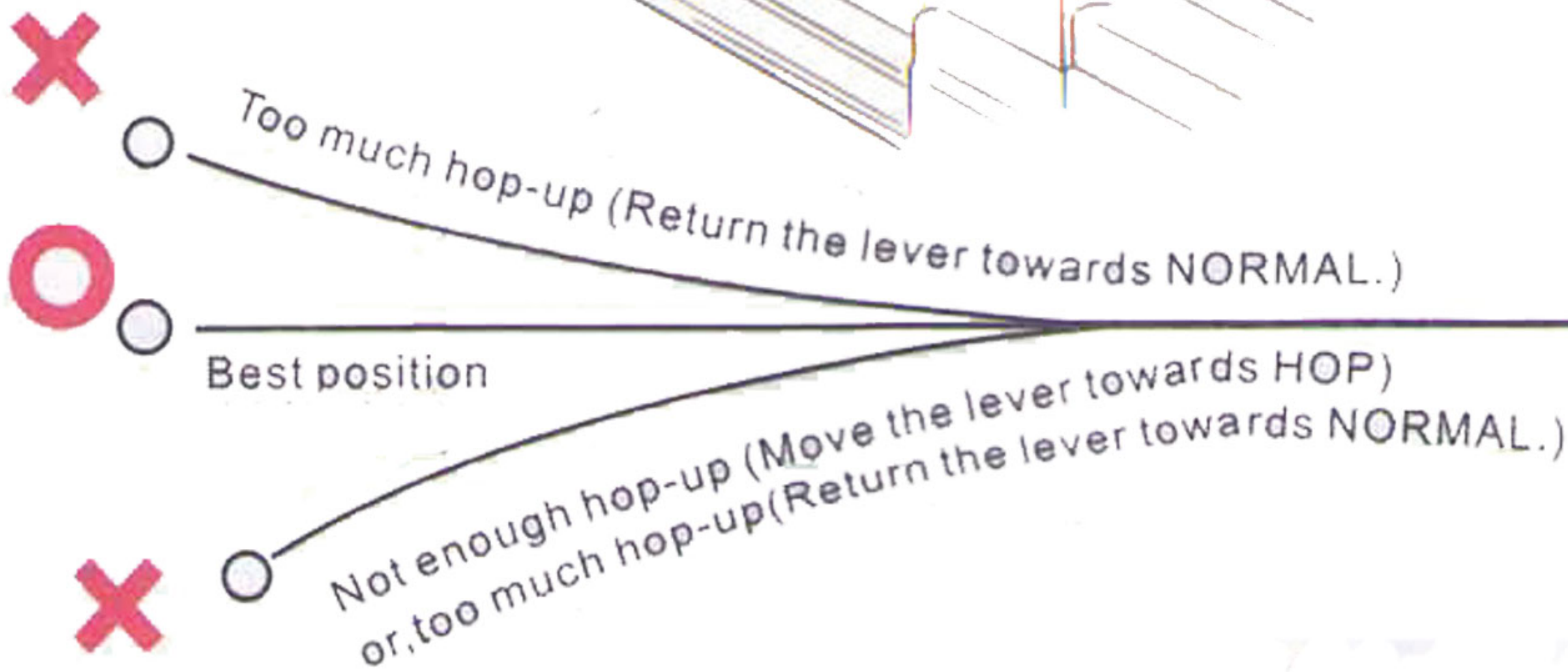
How to use the Hop Up:

The hop up is under the gun, you will need to turn the gun over to easily use it.

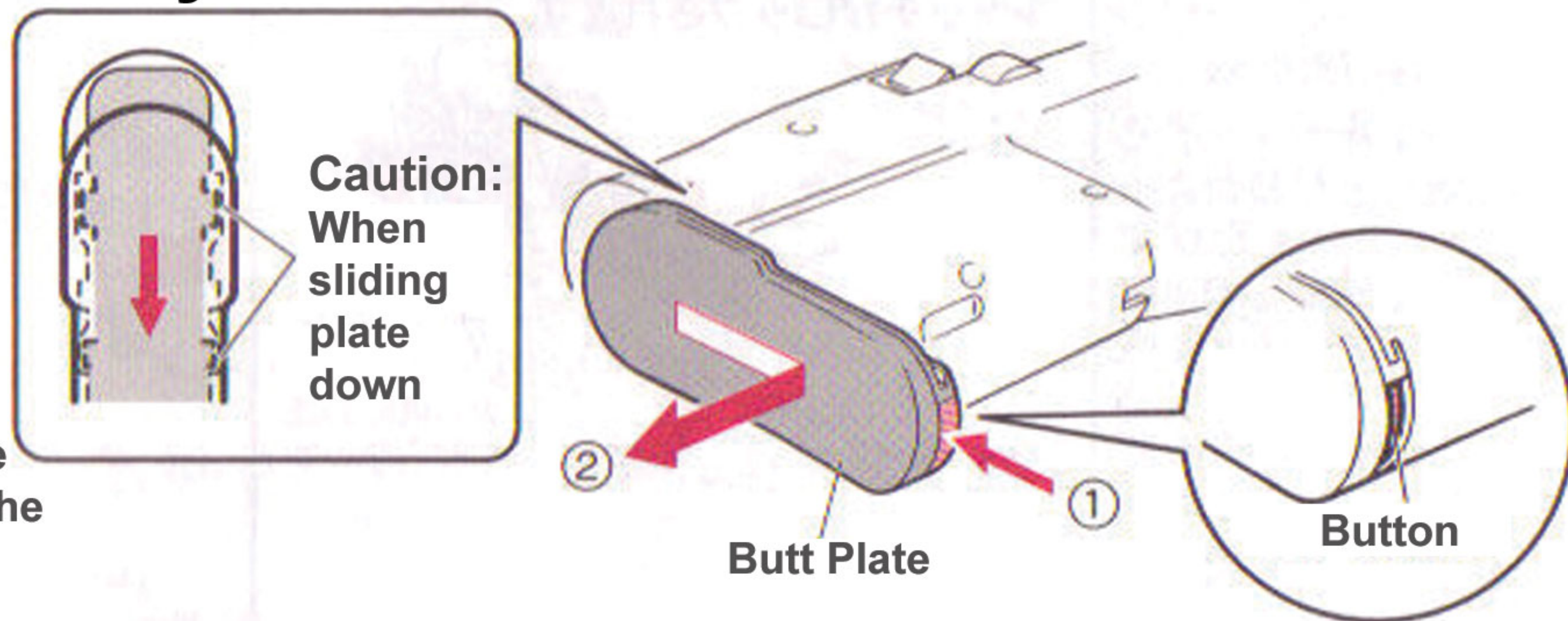
Take time to adjust and test fire to see your results.



Depending on the weight of the BB, being .20g -.25g or more you will need to make adjustments for the different weights



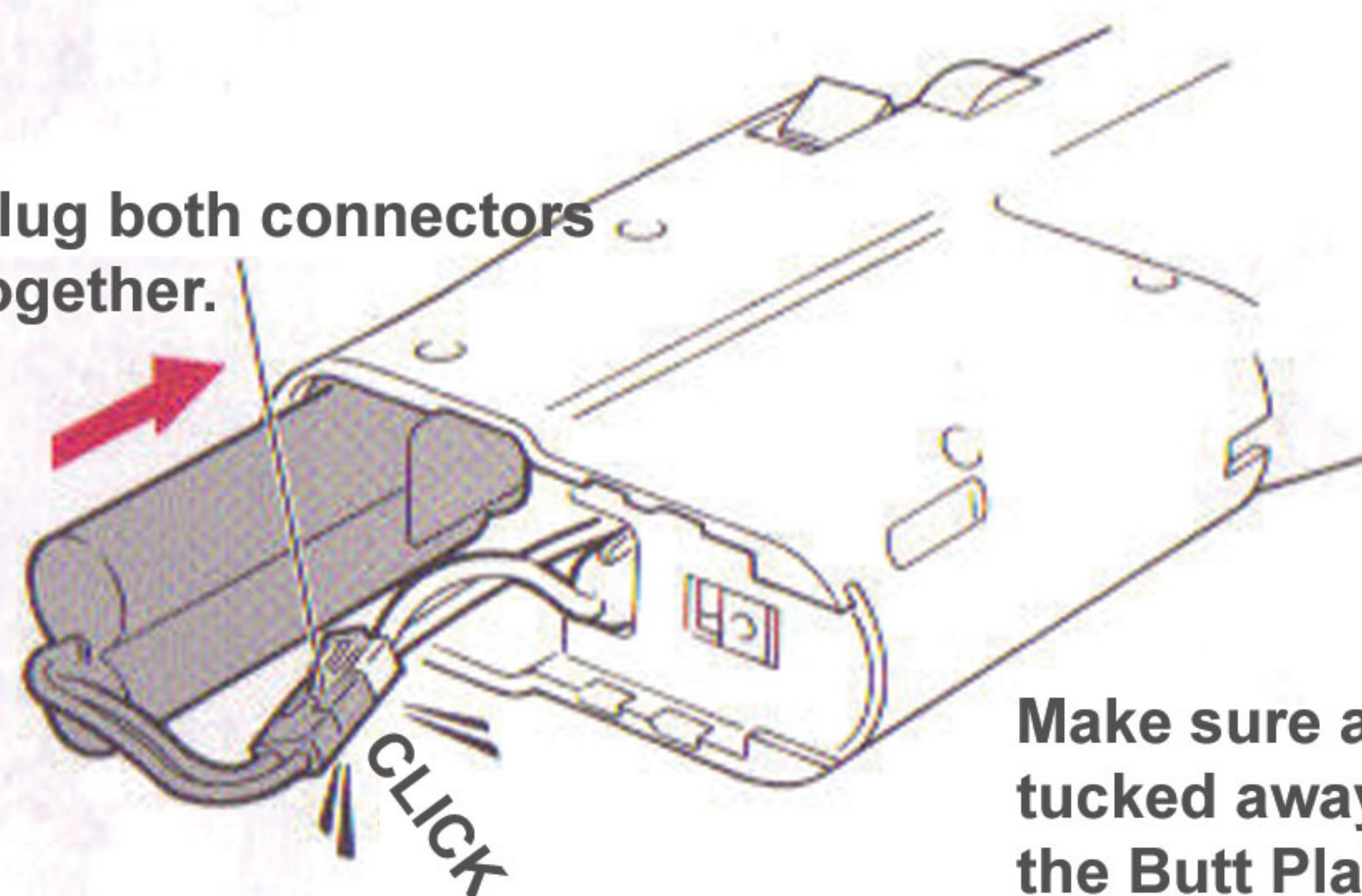
Installing the battery:



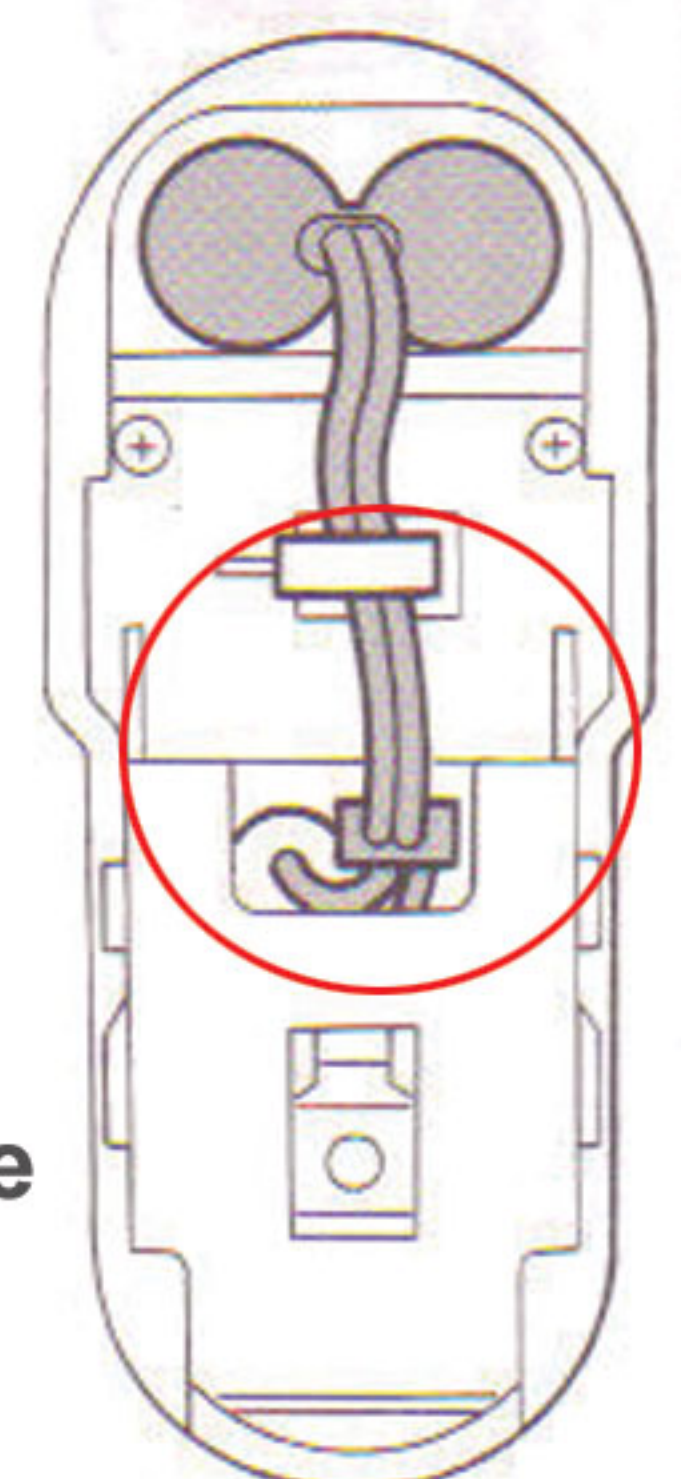
In the center of the Butt Plate press and slide down while the Release Button is pressed

Slide the mini type battery into the space provided.

Plug both connectors together.



Make sure all loose wires are tucked away before you put the Butt Plate back on





E-90



**Please Visit Us At:
ECHO1USA.COM**

Airsoft Electric Gun - Read Carefully Before Use