

⚠ WARNING: NOT A TOY. ADULT SUPERVISION REQUIRED. MISUSE OR CARELESS USE MAY CAUSE SERIOUS INJURY OR DEATH. MAY BE DANGEROUS UP TO 209 YARDS (191 METERS).

READ ALL INSTRUCTIONS BEFORE USING. THE PURCHASER AND USER SHOULD CONFORM TO ALL LAWS GOVERNING THE USE AND OWNERSHIP OF AIRGUNS. AIR GUNS ARE RECOMMENDED FOR USE BY THOSE 16 YEARS OF AGE OR OLDER.

⚠ WARNING: THIS GUN CAN CAUSE SERIOUS INJURY OR DEATH. READ AND FOLLOW THE INSTRUCTIONS CAREFULLY. DO NOT INSTALL ANY BBs INTO THE GUN UNTIL YOU ARE READY TO SHOOT. IF YOU DO INSTALL BBs INTO THE GUN AND THEN DECIDE NOT TO SHOOT, EITHER MANUALLY REMOVE THE BBs FROM THE GUN OR SHOOT THE REMAINING BBs AT A SAFE TARGET. AN UNCOCKED, UNLOADED GUN IS SAFEST. ACCIDENTS HAPPEN FAST, AND ACCIDENTALLY INJURING OR KILLING SOMEONE IS A TERRIBLE THING. PLEASE SHOOT SAFELY.

⚠ This safety alert symbol indicates important safety messages in this manual. When you see this symbol, be alert to the possibility of personal injury and carefully read the message that follows.

The Model 11 Winchester® pistol shoots with much more muzzle energy than the traditional spring air BB gun. More power means greater chance of serious injury or death. Use extreme caution when operating this gun.

Although your new Winchester® pistol is not a firearm, it has lethal potential and should be treated with the caution and respect due any conventional firearm. Like a firearm, your Winchester® pistol, when misused or carelessly used, can kill or seriously injure the shooter or other persons. All safeties are mechanical devices and the shooter is the only part of the system that can make a gun safe or unsafe. DON'T DEPEND ON MECHANICAL SAFETIES – think ahead and avoid situations that might lead to accidents.

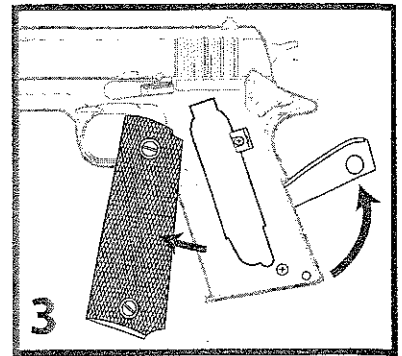
Guns differ in their operations and you are never ready to fire any gun until you are thoroughly familiar with it. Read the following operating instructions and WITHOUT LOADING A PROJECTILE, proceed several times through the operating steps with your gun (dry fire the gun at a safe target) so that you will be able to operate the 11 Winchester® pistol properly and safely.

PRIOR TO OPERATION

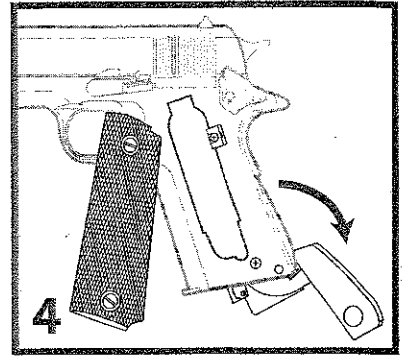
Put "ON" SAFE – NO RED DOT SHOWING (Refer to HOW TO OPERATE, Step 1).

STEP 2. INSERT 12 GRAM CO2 CYLINDER

⚠ WARNING: USE ONLY CO2 CYLINDERS WHICH ARE THE 12 GRAM TYPE. ANY ATTEMPT TO USE OTHER SIZES AND/OR CYLINDERS CONTAINING OTHER TYPES OF GAS COULD BE EXTREMELY DANGEROUS. THE USE OF GASES OTHER THAN CO2 COULD RESULT IN AN EXPLOSION OR COULD RUPTURE THE GUN, CAUSING SERIOUS INJURY.

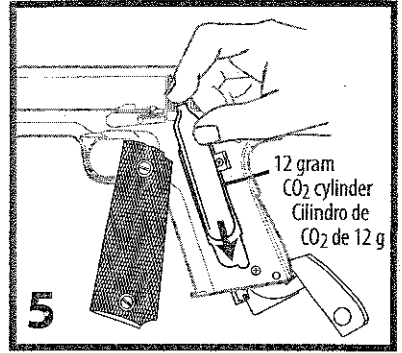


1. Always point gun in a safe direction. Put "ON" safe – NO RED DOT SHOWING (See HOW TO OPERATE, Step 1).



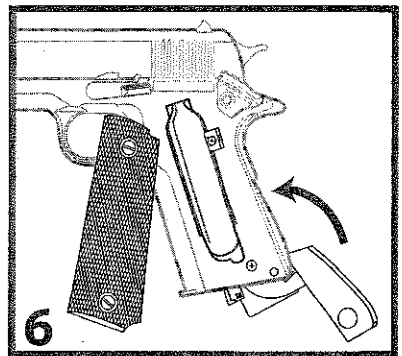
2. Remove left grip cover by lifting at the bottom of the grip. Flip up puncture lever as shown. (Fig. 3)

3. Move the puncture lever as shown to the fully down position. (Fig. 4)



4. Insert the 12 gram CO2 cylinder fully into the grip by first placing the larger end of the CO2 cylinder into the lower portion of the grip. (Fig. 5)

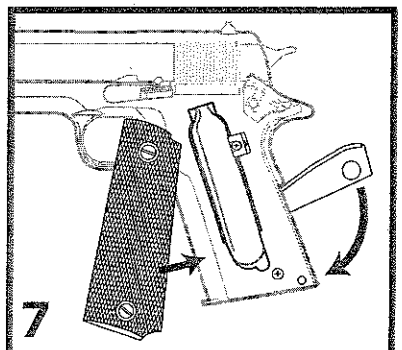
5. Move the puncture lever up fully. (Fig. 6)



6. Close the puncture lever fully and reinstall the grip. (Fig. 7)

NOTE: A slight seepage of gas may occur while closing the puncture lever.

NOTE: We recommend the use of PowerLine® Premium 12 gram CO2 cylinders. Other sizes of CO2 cylinders may not fit properly and if you force them into place, it may result in injury to someone or damage to your pistol. Never try to force any CO2 cylinder into place.



OPERATION STEPS:

WARNING: BE SURE GUN IS ALWAYS POINTED IN A SAFE DIRECTION.

Step 1. PUT "ON" SAFETY – POSITION SAFETY SO NO RED DOT IS SHOWING.

Step 2. INSERT CO₂ CYLINDER.

Step 3. FILL REMOVABLE MAGAZINE WITH A MAXIMUM OF 15 BBs.

Step 4. AIM AT A SAFE TARGET.

Step 5. TAKE "OFF" SAFETY – POSITION SAFETY SO RED DOT IS SHOWING.

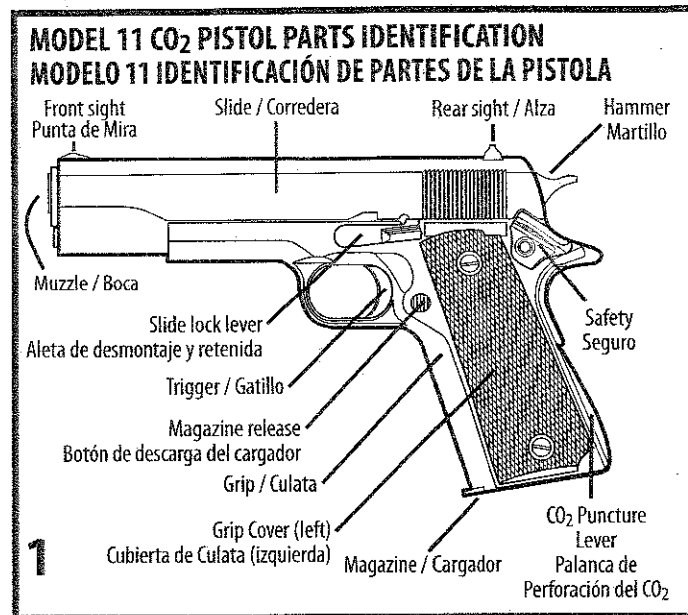
Step 6. FIRE.

Step 7. PUT "ON" SAFETY – POSITION SAFETY SO NO RED DOT IS SHOWING.

If desired, the gun may continue to be fired (Steps 5 and 6) until the BB magazine is empty or the CO₂ cylinder needs to be replaced. Once the BB magazine is empty, Steps 1,3,4,5,6, and 7 should be followed. If the CO₂ cylinder is empty, then all 7 Steps should be followed. (Approximately 150 shots can be expected per CO₂ cylinder).

NEVER STORE A LOADED GUN

At the end of a shooting session, as a safety precaution, always put "ON" safety – NO RED DOT SHOWING (Refer to HOW TO OPERATE, Step 1), remove CO₂ cylinder (Refer to back side) and remove BBs from the BB magazine. (Refer to back side). Store in a safe place to prevent unauthorized use.



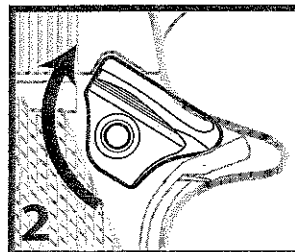
HOW TO OPERATE

WARNING: BE SURE GUN IS ALWAYS POINTED IN A SAFE DIRECTION. NEVER POINT THE GUN AT ANYONE. ALWAYS ASSUME AND TREAT THE GUN AS IF IT WERE LOADED AND READY TO FIRE.

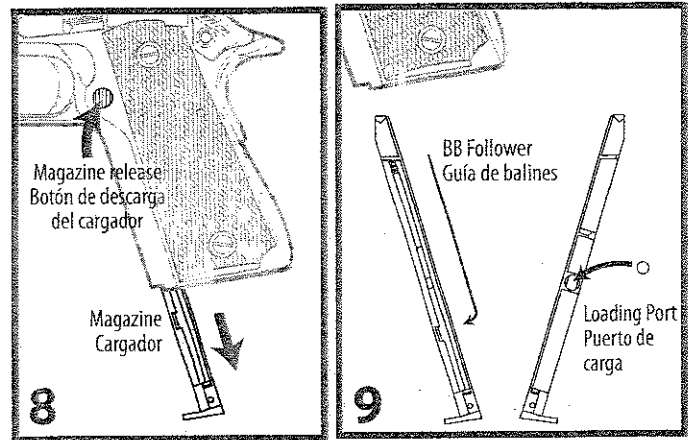
STEP 1. PUT "ON" SAFETY – POSITION SAFETY SO NO RED DOT IS SHOWING.

With the index finger out of the trigger area, move the safety up to the "SAFE" position – NO RED DOT SHOWING (Fig.2). In this position, the trigger cannot be pulled to fire the gun.

CAUTION: Even when the safety is "ON" you should continue to handle the pistol safely. Don't point the gun at anything that you don't intend to shoot. NOTE: The safety is not automatic. It will only do its job when you do yours. REMEMBER, THE BEST SAFETY IS GOOD GUN HANDLING.



STEP 3. FILL THE MAGAZINE WITH A MAXIMUM OF 15 BBs



1. Always point gun in a safe direction. Ensure that the gun is "ON" safe – NO RED DOT SHOWING (see Operation Step 1).

2. Push the magazine release button and remove the magazine from the bottom of the grip. (See Fig. 8)

3. Move the magazine BB follower fully into the notch and hold in position. (See Fig. 9) NOTE: Make sure the follower is held firmly in the notch before loading BBs into the loading port.

4. Once the magazine BB follower is held securely in the notch, a maximum of 15 BBs (.177 caliber) can be individually inserted into the magazine loading port as shown. (See Fig. 9)

CAUTION: Use only Daisy® BBs, or similar quality BBs that are labeled as such. Do not use lead pellets, buck shot, darts, ball bearings, or other foreign objects because they can cause injury to someone or may damage and/or jam the pistol.

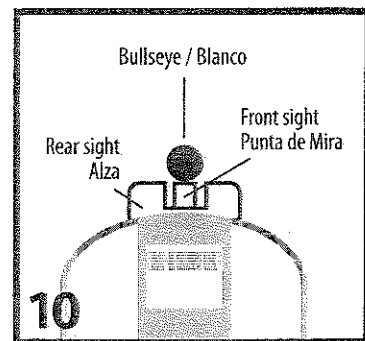
5. After the magazine has been loaded with a maximum of 15 BBs, slowly release the magazine BB follower and allow it to rest up against the BBs. This will allow the BBs to be under spring tension. NOTE: SLOWLY RELEASE THE MAGAZINE BB FOLLOWER – DO NOT ALLOW IT TO SNAP TOWARD THE LOADED BBs.

WARNING: Once the magazine is loaded with BBs, insert it back into the bottom of the grip fully until it clicks. The pistol is now loaded, so use extreme caution in handling the gun. Keep the gun pointed in a safe direction. Never point the gun at anyone. Always treat the gun as if it were loaded and ready to fire.

STEP 4. AIM AT A SAFE TARGET

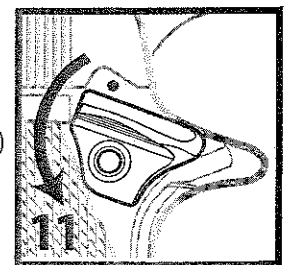
To be a consistent marksman, use the correct sight picture each time you fire the pistol (see Fig 10).

CAUTION: Due to the power of this gun, use extra precaution in selecting a safe target. Improper targets may cause ricochet.

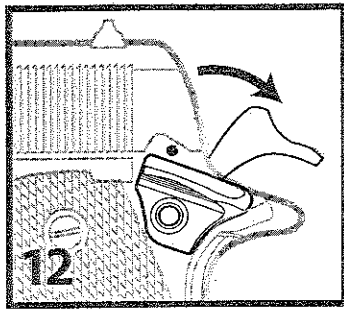


STEP 5. TAKE "OFF" SAFETY – POSITION SAFETY SO RED DOT IS SHOWING.

When you are certain that the target, back stop and surrounding area is safe, position the safety "OFF" – RED DOT SHOWING (Fig. 11) and cock the hammer back. (Fig. 12) Pulling the trigger now will fire the gun.

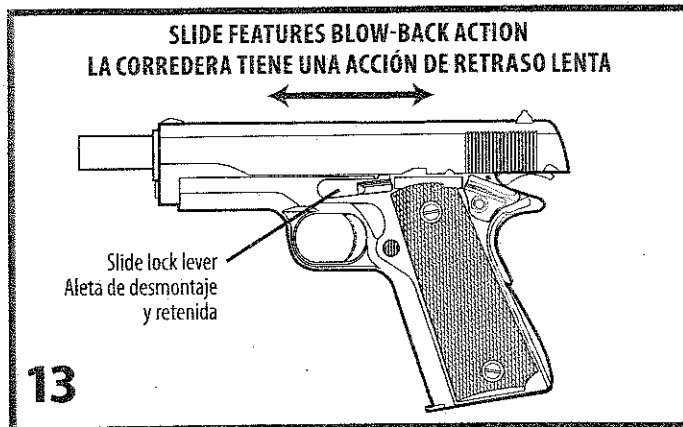


▲WARNING: USE EXTREME CAUTION IN OPERATING BECAUSE WHEN THE GUN IS LOADED AND COCKED IT IS NOW READY TO FIRE A BB WHEN THE TRIGGER IS PULLED. WHEN THE GUN IS FIRED THE HAMMER WILL RE-COCK AND THE GUN IS READY TO FIRE AGAIN WHEN THE TRIGGER IS PULLED. KEEP GUN POINTED AT A SAFE TARGET.



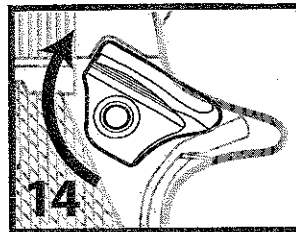
STEP 6. FIRE

Make sure the gun is pointed at a safe target before the trigger is pulled. Once the last BB has been shot from the gun, the slide will lock open.



STEP 7. PUT "ON" SAFETY – POSITION SAFETY SO NO RED DOT IS SHOWING.

You can close the slide by moving the slide lock lever down (Fig. 13) and return the safety to the "ON" position – NO RED DOT SHOWING (see Fig 14).



BB DOES NOT FIRE

▲WARNING: IF A BB DOES NOT FIRE AFTER COMPLETING THE OPERATION STEPS, DO NOT ASSUME THAT THE GUN IS UNLOADED. KEEP THE GUN POINTED IN A SAFE DIRECTION.

MAKE THE FOLLOWING CHECKS IF A BB DOES NOT FIRE

1. Did the Magazine contain .177 cal. Daisy® Precision Max BBs or similar quality BBs? If not, fill the magazine with BBs and repeat the operation steps.
2. Was the safety "OFF" – RED DOT SHOWING, when the trigger was pulled? If not, repeat the operation steps.
3. Was a CO₂ cylinder installed? If not, put "ON" safe – NO RED DOT SHOWING, and insert a new CO₂ cylinder. Repeat the operation steps after the new cylinder is installed.
4. Refer to the section on CO₂ characteristics.
5. If the pistol still does not fire, refer to the warning below.

▲WARNING: IF THE PISTOL STILL FAILS TO SHOOT A BB AFTER CHECKING THE FIVE ITEMS ABOVE, THERE IS A MALFUNCTION IN THE PISTOL. THIS COULD REPRESENT A DANGEROUS CONDITION. THERE COULD BE BBS IN THE PISTOL EVEN THOUGH A BB DID NOT SHOOT OUT. ALWAYS TREAT THE GUN AS IF IT WERE LOADED. AT NO TIME SHOULD YOU LOOK DOWN THE BARREL OF THE GUN. PUT "ON" SAFE – NO RED DOT SHOWING, REMOVE THE CO₂ CYLINDER, AND SEND THE PISTOL DIRECTLY TO DAISY MANUFACTURING SERVICE DEPARTMENT. REFER TO SECTION ON REPAIRS OF DAISY GUNS.

STORAGE

Store your pistol unloaded. Put "ON" safe – NO RED DOT SHOWING, remove CO₂ cylinder and remove all BBs from the pistol's magazine. Keep pistol away from children and untrained shooters. Store BBs, and CO₂ cylinders separately from the pistol to keep them from untrained shooters.

▲WARNING: A CO₂ CYLINDER CONTAINS GAS UNDER PRESSURE, WHETHER OR NOT IT HAS BEEN INSERTED INTO A GUN. IF EXPOSED TO HIGH TEMPERATURES (SUCH AS INSIDE OF A CLOSED CAR IN DIRECT SUNLIGHT), IT COULD EXPLODE. BE SURE TO STORE ALL CYLINDERS IN A COOL PLACE.

PROPER CARE

With care and periodic cleaning, your pistol will provide many years of shooting enjoyment. As is the case with conventional firearms, abuse, neglect, and continued exposure to the elements will impair the performance of any airgun. Learn to take care of your pistol and it will serve you well.

CAUTION: Never attempt to clean the pistol until it is "ON" SAFE – NO RED DOT SHOWING, the CO₂ cylinder has been removed, and the BBs have been removed from the magazine.

EXTERIOR PARTS

Any plastic parts may be cleaned with a damp rag and mild soap or detergent. Avoid using strong detergent, abrasive cleaning compounds or solvents that may scratch or otherwise damage surfaces. The exposed metal parts should occasionally be wiped clean using a soft cloth that is lightly oiled with clean motor oil.

LUBRICATION

Your CO₂ pistol was lubricated when built and should not require any additional lubrication.

MODIFICATION

CAUTION: The components of this gun were engineered to deliver optimum performance. Any modification or tampering with a gun may cause a malfunction and may make it unsafe to use. Any change in performance (such as a lowered trigger pull force and shortened trigger travel), indicates possible modification, tampering and/or wear. Such a gun should be inspected, replaced or properly repaired by qualified personnel. Any gun that has been dropped should be checked by qualified personnel to ensure that its function has not been affected.

REPAIR OF WINCHESTER® AIR PISTOLS

▲WARNING: A PISTOL THAT IS NOT OPERATING PROPERLY MAY BE DANGEROUS. IT SHOULD BE KEPT SAFELY FROM USE BY ANYONE UNTIL REPAIRED OR DESTROYED. DO NOT TRY TO TAKE THE GUN APART. IT IS DIFFICULT TO REASSEMBLE, AND IMPROPER REASSEMBLY CAN CAUSE A HAZARDOUS CONDITION.

GUNS IN WARRANTY

LIMITED ONE-YEAR WARRANTY

For one year from date of purchase, Daisy will repair or replace and return this gun, free of charge, if defective in material or workmanship. Service is available by returning the gun to Daisy Outdoor Products (refer to important note that follows). Attach to the gun, your name, street address, and telephone number, description of problem and proof of date of retail purchase (sales slip). Package and send transportation prepaid to Daisy Outdoor Products. This warranty gives you specific legal rights, and you may also have other rights which may vary from state to state.

IMPORTANT: You can return your inoperative pistol to Daisy Outdoor Products for repair via United Parcel Service. Be sure to put "ON safe – NO RED DOT SHOWING, remove the CO₂ cylinder and unload all BBs from the removable magazine before returning the pistol to Daisy. You must include your street address for Daisy to send your pistol directly back to you through UPS delivery.

HOW TO UNLOAD

After a shooting session is complete, the gun should be unloaded before storing it. To unload the gun always put "ON" safe – NO RED DOT SHOWING, remove the CO₂ cylinder, and remove the BBs from the magazine. See details below.

CAUTION: Even though you have gone through an unloading procedure, continue to treat the gun as though it were loaded. Don't point at anything you don't intend to shoot. Always put "ON" safe – NO RED DOT SHOWING.

REMOVE CO₂ CYLINDER

1. Put "ON" safe – NO RED SHOWING. (See Operation Step 1).
2. With the muzzle pointed in a safe direction and the left-hand grip cover still in place, slowly open the puncture lever allowing any remaining gas to be discharged and continue opening until fully open.
3. Remove left-hand grip cover by lifting at the bottom of the grip.
4. Remove and properly dispose of CO₂ cylinder.

CAUTION: Never attempt to reuse a CO₂ cylinder for any purpose.

REMOVE BBs FROM MAGAZINE

1. Put "ON" safe – NO RED DOT SHOWING. (See Operation Step 1).
2. After removing the magazine (Fig. 8) push and hold the magazine follower fully open.
3. Invert the magazine and let the BBs fall out of the magazine through the loading port.
4. Look inside the magazine slot to make sure all BBs have been removed. If a BB is visible, use a ballpoint pen, screwdriver, etc. to remove the BB from the magazine.

CAUTION: Do not assume that the gun is empty of BBs when the BBs are removed from the gun. Verify that all BBs are removed. Always treat the gun as if it were loaded and ready to fire.

CO₂ CHARACTERISTICS

There are occasions when a CO₂ pistol may be subjected to abnormal conditions that can produce effects on the pistols performance. These conditions include operation and/or storage of the pistol at temperatures that are considerably higher or lower than normal outdoor temperatures (60 – 70 degrees F), as well as conditions of rapid fire.

1. High temperatures can produce pressure in the CO₂ cylinder and gun that is considerably higher than normal operating pressure. Such increased pressure may prevent the pistol from firing and may result in permanent damage to the gun. The maximum operating or storage temperatures can easily be reached if the gun is left directly in the sun on a bright, sunny day. Therefore the shooter should not expose the pistol to high temperature conditions or direct sunlight for any extended period of time.
2. Rapid firing of the gun will cause temperature reduction in the pistol and CO₂ gas. This will result in lower BB velocities and may even lower gas pressure enough so that the pistol will not fire. This condition can be avoided by allowing more time between shots. This permits the gas to increase in temperature and pressure, and produce normal velocities.
3. During rapid fire, the muzzle velocity of each shot can be expected to decrease. This can be detrimental to shooting accuracy.
4. Care should be exercised to ensure that the gun is not shot with a CO₂ cylinder that is low in pressure because a BB may not be expelled from the barrel.

GUNS OUT OF WARRANTY

If your Winchester® air pistol needs repair, please call 1-800-713-2479 for repair charges. Daisy will repair the gun or replace it with a reconditioned gun of the same model, if available; otherwise, with a model of equivalent quality.

Daisy Outdoor Products,
Service Department, 308 West Stribling Drive, Rogers, AR 72756 U.S.A.

MODEL 11 PISTOL SPECIFICATIONS

ACTION	CO ₂ powered semi-automatic blow-back
CALIBER	.177 cal. (4.5mm) BB
SIGHTS	Blade front, notched open rear
AMMO CAPACITY	15-shot removable magazine
SAFETY	Manual trigger block
BARREL	Smooth bore
MUZZLE VELOCITY	410 fps. (125 mps)
SHOOTING DISTANCE*	209 yds. (191 m)
OVERALL LENGTH	8.6 in. (218.5 mm)
WEIGHT	1.87 lb. (843 g) empty
POWER SOURCE	PowerLine® 12gm CO ₂ cylinder

*With muzzle pointed upward at optimum angle

CAUTION: CO₂ cylinders may explode at temperatures above 160°F (71°C).

LEARN TO SHOOT SAFELY

Daisy Outdoor Products has a rich heritage of teaching young and first time shooters to shoot safely. In order to effectively implement shooting education programs nationwide, Daisy has partnered with the following organizations which teach shooting safety and provide additional shooting safety materials and information. We encourage you to contact Daisy at 1-800-643-3458 or one of these organizations to sign up for a shooting safety class in your area.

PROGRAM MATERIALS & EQUIPMENT

Daisy Outdoor Products
800-713-2479
www.daisy.com

PROGRAM INFORMATION

American Legion Junior Shooting Sports Program
317-630-1249
www.legion.org

NRA Youth Programs
800-672-3888 ext. 1505
www.nrahq.org/youth

Daisy / Jaycees Shooting Education Program
The United States Junior Chamber of Commerce
800-529-2337
www.usjaycees.org

4-H Shooting Sports
Contact your County Extension Agent
www.4-h.org

Junior Olympic Shooting Program
719-866-4670
www.usashooting.com