



RUBBER ARMORED
QUICK DETACH

BIPOD

PICATINNY & SWIVEL STUD MOUNT

OWNER'S MANUAL

For Model: TL-BP20Q

MUB002011202

FEATURE ILLUSTRATION



Panning

Patent Pending



Quick Detachable
Lever Lock with
Full Adjustability



Heavy-Duty Full Metal
Construction



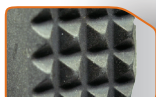
Impact Resistant,
Anti-Scratch
Rubber Armored Legs



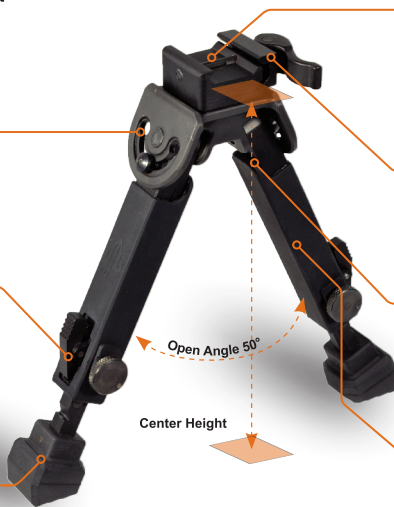
Bi-Directional Folding Feature



Bipod Legs with 5 Notches
(0.68" Apart) for Most
Positive Extension, Plus Flexible
In-Between Notch Extension;
Lock with Wheel and
Retract by Press Button



1 sq inch Heavy Duty Non-Slip
Rubberized Foot Pads



Open Angle 50°

Center Height

Model	Stand Type	Center Height (Min - Max)	Leg Length (Min - Max)	Extendable Leg	Open Angle	Picatinny Mount	Swivel Stud Mount
TL-BP20Q	Rubberized	6.0" - 8.5"	5.5" - 8.0"	Yes	50°	Yes	Yes



Swivel Stud Kit
(Also Sold Separately)
TL-BPAD1



SWIVEL STUD MOUNT



PICATINNY MOUNT

PICATINNY MOUNT INSTALLATION



Turn the Cam Lever to its unlocked position. Place the bipod on the rail at a desired position.



Turn the Cam Lever half way to the locking position. Make sure there is a gap between the ring and your mounting rail. Use step 3 to complete proper adjustment.

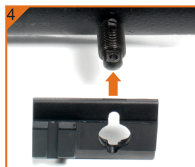
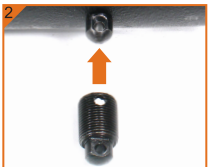


Use the included allen wrench to adjust the Hex Screw at the side of the Cam for proper tension and fit against the rail. Adjust clockwise to increase the tension and tighten the clamping width. Adjust counter-clockwise to decrease the tension and increase the clamping width.



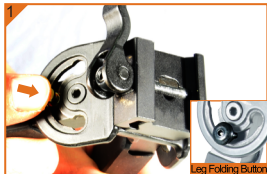
Lock the Cam Lever all the way to the right snugly.

SWIVEL STUD MOUNT INSTALLATION



Refer to the **PICATINNY MOUNT INSTALLATION** to install the bipod on the rail provided on the Swivel Stud Mount.

BI-DIRECTIONAL FOLDING OPERATING INSTRUCTION



Press down and hold the Leg Folding Button.



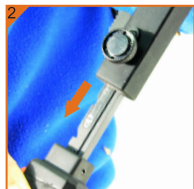
Swing the bipod leg to either fold forward or backward, or to unfold while holding down the Leg Folding Button. Release the button when the leg is in position.



LEG EXTENSION/RETRACTION INSTRUCTION



Make sure the Posi-lock Wheel is fully released by turning it counter-clockwise.



Extend the bipod leg by pulling it out of the rubber leg housing. Set it at any of the pre-cut extension notches which are 0.68" apart for a positive position.



Or, extend to any location in between notches. When satisfied with the length, Lock the extended leg by tightening the Posi-lock Wheel clockwise.



To retract the bipod leg, loosen the Posi-lock Wheel first. Press down the Leg Retraction Clamp before you push the extended leg upward into the rubber housing.